

# Automatic Taping Tools



# LOADING & FILLING

Make taping and finishing even faster by adding an automatic filling tool to your system.



## LOADING PUMP

Meet the industries toughest loading pump. The Tapepro Pump is easy to use, fast to clean and speeds up the taping and finishing process.

ABC-123 Code	Barcode	Description	ea Exc
LP-EZ	9315778990561	Loading Pump	\$543.00
FBF	9315778990899	Flat Box Filler	\$103.00
GS	9315778994033	Goose Neck	\$176.00

- Rugged aluminium and stainless steel components
- Self priming pump spring
- Pump screen to filter out any lumps
- Encapsulated "O" ring for a superior seal under pressure
- Fill a multitude of tools. Add the Goose Neck (GS) to fill the Automatic Taper (AT-2000) and the Compound Applicator Tube (CA-T / CA-T24). Fit the Flat Box Filler (FBF) to fill Mud Boxes (WMB-L / MBP), Flat Boxes (AB-\*\*\* / FFB-\*\*\* / T-\*\*\*), Corner Box (CA-H/CA-XH) and Nail Spotters (NS-H-\*\* / NS-XH-\*\*)



Quick release pump head clips



Filling tool



Can be used with Base (chemical setting) compounds



Three year limited warranty



Parts Diagram Available

## FLAT APPLICATOR COMPOUND TUBE

The Flat Applicator Compound Tube is a fast, no fuss solution to filling Flat Boxes and Mud Boxes. Draws compound up directly from the bucket and pumps straight into the tool.

ABC-123 Code	Barcode	ea Exc
FA-CT	9315778999298	\$346.00

- Part of the versatile Compound Applicator system
- Hard wearing, powder coated main tube and industrial plastic head
- High flow nozzle with mud wings
- Draws compound straight from bucket
- Fill both Mud Boxes and Flat Boxes
- Can also be used to fill the recess in flat joints for taping



Filling tool



Applies 1st coat



2.23 litres



Quick release nozzle and piston rod



Can be used with Base (chemical setting) compounds



Three year limited warranty



Parts Diagram Available



# TAPING TOOLS

Speed up taping with a precision designed automatic taping tool that simultaneously applies joint tape and compound to flat and internal joints.



AT-2000



*Joint Compound consistency is an important part of achieving a good finish. Automatic taping tools require a thinner compound (more water) than setting by hand. The consistency should be smooth and creamy; slightly thinner for taping, slightly thicker for finishing. Ensure you follow manufacturer's recommendations.*



WMB-L

## MUD BOXES

The Tapepro Mud Boxes are the definition of tough mudders. They're constructed from robust materials like stainless steel and industrial plastics making them extremely hard wearing. The simple "mud bath" design makes the Mud Box® the fastest taping tool to learn and the easiest to use.

- Combined creaser / cutter
- Mud flow adjuster
- Can be filled with Loading Pump (LP-EZ) and Flat Box Filler (FBF), using the MudShark (FA-CT) or by hand

# AUTOMATIC TAPER

Tapepro combines precision engineering, superior design features and high quality materials to create the fastest and best Automatic Taper on the market.

ABC-100 Code	Barcode	Description	ea Exc
AT-2000	9315778995856	Automatic Taper	\$2,848.00
LP-EZ	9315778990561	Loading Pump	\$543.00
GS	9315778994033	Goose Neck	\$176.00

- Quality, hard wearing components
- Easy to adjust backup roller tension
- Simple to use control tube with pull ring
- Fill using the Loading Pump (LP-EZ) and Goose Neck Nozzle (GS)



2.7 litres



Quick release head and easy to remove cover plate



Can be used with Base (chemical setting) compounds



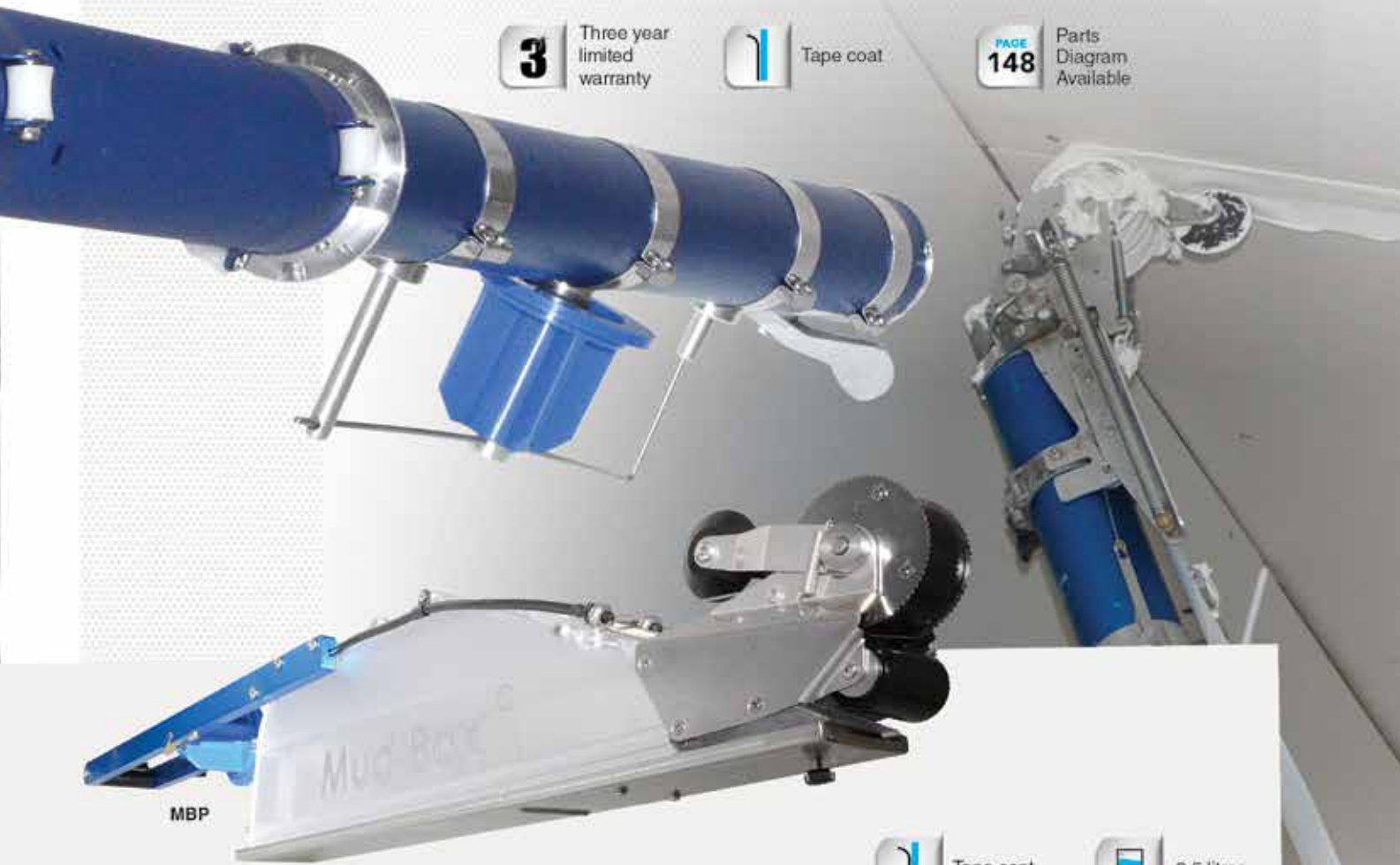
Three year limited warranty



Tape coat



Parts Diagram Available



MBP

- Separate creaser / cutter
- Rear controls for creaser/ cutter
- Mud flow adjuster
- Can be filled with Loading Pump (LP-EZ) and Flat Box Filler (FBF), using the MudShark (FA-CT) or by hand



Tape coat



2.5 litres



Can be used with Base (chemical setting) compounds



Three year limited warranty



Parts Diagram Available

WATCH ON



ABC-100 Code	Barcode	Description	ea Exc
WMB-L	9315778994606	Mud Box® Original	\$1,205.00
MBP	9315778997898	Mud Box® Pro	\$1,294.00

# FLAT FINISHING

Achieve the perfect machine finish on your flat joints and perfect coverage over your screws fast with Tapepro's range of flat finishing tools. Flat Boxes are easy to use, provide a great finish and are the perfect place to start when investing in Automatic Taping Tools.

## BOOSTER® AUTOMATIC BOXES

Tapepro Booster® Automatic Boxes are Flat Boxes - with a difference. The lid of the box is spring loaded which helps force out the joint compound. This reduces the effort required and is particularly handy for out of position or difficult to reach areas. They're designed to take the force out of flat finishing particularly when finishing very high or low flat joints.



Code	Barcode	Size	ea Exc
AB-200	9315778001243	200mm	\$751.00
AB-250	9315778001250	250mm	\$761.00
AB-300	9315778001267	300mm	\$772.00

- Tough marine grade anodised aluminium box body
- High quality components
- Easy to operate
- Spring loaded box lid forces compound out of the box
- Reduces fatigue
- Can be filled by hand or faster with the Loading Pump (LP-EZ) and Filler Nozzle (FBF) / MudShark (FA-CT)
- Compatible with Flat Box Bead Guides (FBBG) and all Tapepro Flat Box Handles



AB-300



Fast flat finishing



Lid opens wide for easy access and cleaning



Spring loaded lid



200mm 1.34 litres  
250mm 1.68 litres  
300mm 2.01 litres



Spare parts and service available



Three year limited warranty

PAGE 158

Parts Diagram Available



AB-300

# BLUE2 FLATBOXES

## BLUE2 FLAT BOXES®

Finish fast with Tapepro's true blue flat finishing tools - the Blue2 Flat Boxes®. The Blue2 boxes produce a smooth machined finish on flat joints quickly and easily.

Code	Barcode	Size	ea Exc
FFB-200	9315778990905	200mm	\$719.00
FFB-250	9315778990912	250mm	\$730.00
FFB-300	9315778990929	300mm	\$740.00

- Anodised marine grade aluminium peened together for maximum durability
- Precision adjustments for perfect compound coverage
- Fixed axle with wheels that run inside the blade width
- Can be filled by hand or faster with the Loading Pump (LP-EZ) and Filler Nozzle (FBF) / MudShark (FA-CT)
- Compatible with Recess Plate (RP-200), Flat Box Bead Guides (FBBG) and all Tapepro Flat Box Handles



FFB-200

Spare parts and service available

**PAGE 155** Parts Diagram Available

Fast flat finishing

Lid opens wide for easy access and cleaning

**3** Three year limited warranty

200mm 1.34 litres  
250mm 1.68 litres  
300mm 2.01 litres

## T2 FLAT BOXES®

Apply the perfect finishing coats to flat joints with the sleek T2 Flat Box range. T2 boxes are easy to learn and produce the perfect crown and feather - fast.



T-200

# T2 FLATBOXES

Code	Barcode	Size	ea Exc
T-200	9315778001564	200mm	\$550.00
T-250	9315778001571	250mm	\$580.00
T-300	9315778001588	300mm	\$611.00

- Constructed from hard wearing materials such as marine grade aluminium and stainless steel
- Easy to learn and use
- Fixed axle with wheels that run inside the blade width
- Can be filled by hand or faster with the Loading Pump (LP-EZ) and Filler Nozzle (FBF) / MudShark (FA-CT)
- Compatible with Recess Plate (RP-200), Flat Box Bead Guides (FBBG) and all Tapepro Flat Box Handles

Spare parts and service available

Fast flat finishing

Lid opens wide for easy access and cleaning

**PAGE 156** Parts Diagram Available

**3** Three year limited warranty

200mm 1.34 litres  
250mm 1.68 litres  
300mm 2.01 litres



## FLAT BOX ACCESSORIES

ABC-128 Code	Barcode	Description	Size	ea Exc
RP-200	9315778000864	Recess Plate	140mm	\$65.00
FBBG	9315778997843	Flat Box Bead Guides	300mm	\$77.00



Give external corners a smooth, machined finish fast with the Tapepro Flat Box Bead Guides.



- Use with paper tape, No-Coat, plastic, metal and more
- Durable stainless steel guides
- Inner guide compresses against the wall
- Angular deflection of outer guide ensures no scraping on adjoining surface
- Can be used on shadow and reveal beads by dropping the inner guide into the recess so it acts like a track for finishing

Reduce the finish width of your 200mm Tapepro Flat Box to 140mm.

- Fits to 200mm Blue2 (FFB-200) and 200mm T2 (T-200)
- Easy to fit and remove
- Made from durable stainless steel sheet metal

## SHORTY FLAT BOX HANDLE

**NEW**



Fabricated with a push plate and control grip the Shorty Handle puts the perfect mix of power and precision in your hands.

- Total length 250mm
- Fits most flat boxes
- 3 Three year limited warranty
- Fast flat finishing
- PAGE 152 Parts Diagram Available

- Use 4mm or 5/32" allen key to adjust the grip both vertically and horizontally
- Rest your hand on the push plate and loop your fingers over the front of the box for an "Auto Box" like action
- The comfortable and ergonomic grip allows complete control over the path of your Flat Box
- Coat joints in tight spaces like cupboards, toilets and hallways fast using your Flat Box
- Simplified design - No moving parts



ABC-128 Code	Barcode	Size	ea Exc
FH-S	9315778001724	250x210x150mm	\$141.00

## PRO-REACH SUPERLITE FLAT BOX HANDLE

Quite possibly the best looking Extendable Handle ever... The Superlite ProReach isn't all about looks though - it's almost 15% lighter than the traditional FHX, it's robust and is an exceptional performer.

- Filament wound carbon fibre tube for non-slip grip
- Precision machined head assembly
- Improved pressed and screwed handle to head connection
- Lighter weight stainless steel pivot pin
- Reliable "all position" brake
- Weighs just 1.2kg
- Extends from 980-1600mm with 4 locking positions
- Compatible with all Tapepro Flat Boxes

Code	Barcode	Size	ea Exc
FHX-SL	9315778001748	980-1600mm	\$722.00



40% lighter\*



4 set locking points



Fast flat finishing



Spare parts and service available



Three year limited warranty



Extendable handle



Parts Diagram Available

**NEW**



FHX-SL

## SUPERLITE FLAT BOX HANDLE

Tapepro has combined precision engineering with quality materials to produce the first carbon fibre Flat Box Handle. The SuperLite handles weigh \*40% less than the traditional range of Flat Box Handles with a sleek appearance.

- Sleek, lightweight carbon fibre handle tube
- Improved pressed and screw head assembly
- Precision machined head
- Lighter weight hollow stainless steel pivot pin
- Available in two fixed lengths
- Compatible with all Tapepro Flat Boxes



FHSL-900



40% lighter\*



Fast flat finishing



Fixed handle



Three year limited warranty



Spare parts and service available



Parts Diagram Available

Code	Barcode	Size	ea Exc
FHSL-900	9315778001595	900mm	\$403.00
FHSL-1200	9315778001601	1200mm	\$443.00

\* when compared to a Tapepro traditional fixed Flat Box handle in the same size

**SUPERLITE**  
FLAT BOX HANDLES



## TWISTER® HANDLE

Twist your handle - not your body. Adjust the angle of your Flat Box to suit you with the Twister swivel head. The Twister helps reduce fatigue and is the perfect partner for the Tapepro Auto Boxes - particularly when finishing joints at unusual heights.

Code	Barcode	Description	Size	ea Exc
FHX-T	9315778000314	Twister Flat Box Handle	980-1600mm	\$699.00
TSP	9315778000321	Twister Swivel Plate		\$82.00

- 4 handles in 1! The handle extends from 980-1600mm with 4 locking positions
- Comfortable handle tubes with ergonomic grip
- Twister Swivel Plate (TSP) is compatible and can be retrofitted to Tapepro's ProReach® Handle (FHX) and each of the fixed Handles (FFBH-\*\*\*\*)
- Brake engages at any angle
- Anodised head assembly for premium wear resistance
- Patented "Twister" swivel head that you can adjust to suit the joint
- Weighs just 1.5kgs
- Compatible with all Tapepro Flat Boxes



FHX-T/TSP



Twister "swivel" head



Spare parts and service available



Fast flat finishing



Extendable handle



Three year limited warranty



**TWISTER**  
SWIVEL HANDLE

## PROREACH® EXTENDABLE HANDLE

Get 4 Flat Box Handles in 1 with the ProReach Extendable Handle from Tapepro. The ProReach Handle extends from 980mm to 1600mm and has 4 locking positions.

Code	Barcode	Size	ea Exc
FHX	9315778998260	980-1600mm	\$673.00



Parts Diagram Available



Three year limited warranty



Fast flat finishing



Spare parts and service available



Extendable handle



4 set locking points



FHX

- Extends from 980-1600mm with 4 locking positions
- Comfortable handle tubes with ergonomic grip
- Brake engages at any angle
- Anodised head assembly for premium wear resistance
- Weighs just 1.4kgs
- Compatible with all Tapepro Flat Boxes

**PROREACH**  
EXTENDABLE HANDLES

## FIXED FLAT BOX HANDLES

Tapepro's traditional fixed Flat Box Handles and extensions are still going strong.

**3**

Three year limited warranty



Spare parts and service available



Fixed handle with optional fixed extension



Fast flat finishing

PAGE  
**153**

Parts Diagram Available



- Comfortably sized aluminium tube
- Brake engages at any angle
- Fixed handle length with optional fixed extensions
- Compatible with all Tapepro Flat Boxes and fixed extensions (HE-600, HE-1200)

ASC-128

Code



Barcode



Size



ea Exc

FFBH-600	9315778999601	600mm	\$331.00
FFBH-900	9315778990998	900mm	\$347.00
FFBH-1050	9315778991001	1050mm	\$358.00
FFBH-1200	9315778991018	1200mm	\$368.00
FFBH-1500	9315778991025	1500mm	\$379.00
FFBH-1800	9315778991032	1800mm	\$389.00
HE-600	9315778990974	600mm	\$98.00
HE-1200	9315778990981	1200mm	\$109.00

## NAIL SPOTTERS

Coat strips of nails or screws quickly with a single swipe of a Tapepro Nail Spotter.



- Nail spotter constructed from peened anodised aluminium
- Adjustable inter-lock handle position
- Fixed axle with wheels that run inside the blade width
- Kick plate for quick wall positioning
- Available with fixed length handle (NS-H-55, NS-H-75) or with ProReach Extendable Handle (NS-XH-55, NS-XH-75)



55mm 0.26 litres  
75mm 0.35 litres

**3**

Three year limited warranty

PAGE  
**167**

Parts Diagram Available



Fast flat finishing



Lid opens wide for easy access and cleaning



Spare parts and service available

ASC-128

Code



Barcode



Description



Size



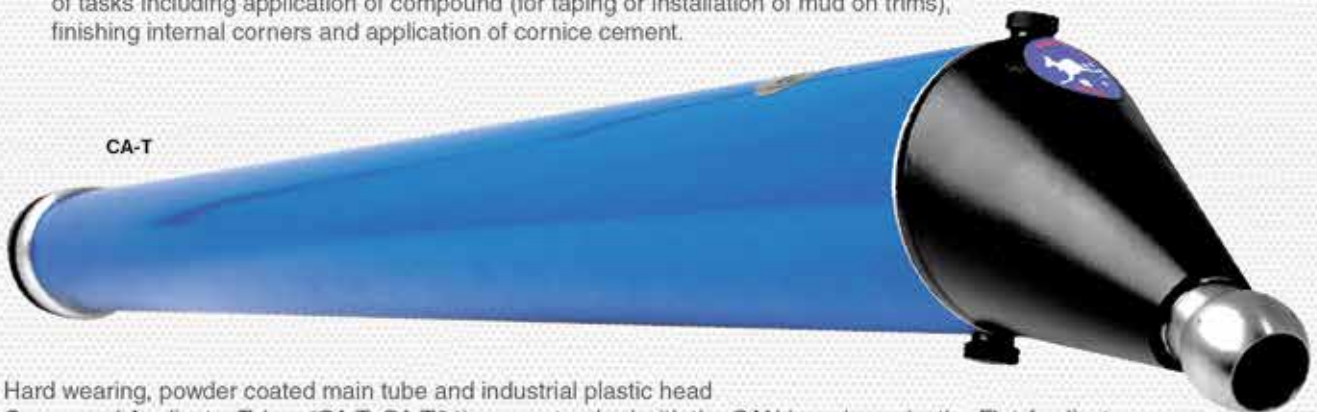
ea Exc

NS-H-55	9315778995320	Nail Spotter 55mm with fixed 900mm handle	55mm	\$595.00
NS-XH-55	9315778998291	Nail Spotter 55mm with ProReach 960-1600mm handle	55mm	\$673.00
NS-H-75	9315778995481	Nail Spotter 75mm with fixed 900mm handle	75mm	\$616.00
NS-XH-75	9315778998307	Nail Spotter 75mm with ProReach 960-1600mm handle	75mm	\$694.00

# CORNER TOOLS + CORNICE INSTALLATION

## COMPOUND APPLICATORS

The Compound Applicator Tube is our most versatile taping tool. With the application of one of Tapepro's specialised mud heads the Compound Tube can complete a range of tasks including application of compound (for taping or installation of mud on trims), finishing internal corners and application of cornice cement.



CA-T

- Hard wearing, powder coated main tube and industrial plastic head
- Compound Applicator Tubes (CA-T, CA-T24) come standard with the CAN barrel nozzle, the Flat Applicator Compound Tube (FA-CT) comes standard with the FAN Flat Applicator Nozzle
- Easy to operate
- Compound Applicator Tube available in two sizes 600mm (CA-T24) and 900mm (CA-T)
- Can draw up compound straight from the bucket alternatively it can be filled with the Loading Pump (LP-EZ) and Goose Neck (GS)

Code	Barcode	Description	Size	ea Exc
CA-T	9315778994590	Compound Applicator Tube Tapepro	900mm	\$363.00
CA-T24	9315778001168	Compound Applicator Tube Tapepro	600mm	\$285.00
FA-CT	9315778999298	MudShark Compound Tube Tapepro	900mm	\$346.00

**3** Three year limited warranty

Can be used with Base (chemical setting) compounds

PAGE 151 Parts Diagram Available

**1** Applies 1st coat\*

600mm 1.64 litres  
900mm 2.23 litres

Quick release nozzle and piston rod

Spare parts and service available

Fast corner finishing\*

Cornice installation\*

Filling tool\*

\* with the application of the correct Tapepro Compound Applicator Attachment

# COMPOUND APPLICATOR ATTACHMENTS

## MANTA RAY ADJUSTABLE INTERNAL APPLICATOR

- Apply base compound for installation of Trim-Tex Mud Set Magic Corner

perfect for unusual internal angles created with Trim-Tex Mud Set Adjustable Internal Bead and Mud Set Magic Corner



72-MS4310

72-MS4315

## INTERNAL APPLICATOR HEAD

- Apply joint compound to 90° internal corners, including the apex



AH-38

## CORNER FINISHER 75MM PLASTIC

- Apply second coat to internals while perfectly feathering the edges - fast!



CFP-75

## CORNICE HEADS

- Apply cornice cement for quick and easy cornice installation



CH-55, CH-75, CH-90



CG-75

## CORNER GLAZER 75MM

- Apply second coat to internals while feathering the edges



FAN

## FLAT APPLICATOR NOZZLE

- Apply compound to flat recessed joints and fill Flat Boxes



OAH

## OUTSIDE APPLICATOR HEAD

- Apply joint compound to external corners, including the apex

## FLAT TEAR AWAY BEAD APPLICATOR

- Apply a single ribbon of base compound for the installation of Trim-Tex Mud Set Flat Tear Away Bead. Or use on either side of an unusual internal corner for the installation of a specialty bead or corner tape



FTA

perfect for installing Trim-Tex Mud Set Tear Away Flat Bead  
72-MS9000



AJC-123

Code



Barcode



Description



Size



ea Exc

Code	Barcode	Description	Size	ea Exc
AIA	9315778001236	Adjustable Inside Applicator Tapepro*		\$233.00
AH-38	9315778997300	Angle Head Tapepro*	38mm	\$137.00
CAN	9315778999410	Compound Applicator Nozzle Tapepro*		\$71.50
CFP-75	9315778000390	Corner Finisher CFP Series Tapepro*	75mm	\$430.00
CG-75	9315778996877	Corner Glazer Tapepro*	75mm	\$290.00
CH-55	9315778998079	Cornice Head Tapepro*	55mm	\$247.00
CH-75	9315778998086	Cornice Head Tapepro*	75mm	\$258.00
CH-90	9315778998093	Cornice Head Tapepro*	90mm	\$269.00
FAN	9315778999281	MudShark Nozzle Tapepro		\$51.50
FTA	9315778001182	Flat Tear Away Bead Applicator Tapepro*		\$114.00
OAH	9315778000369	Outside Angle Head Tapepro*		\$144.00

\* requires CA-T, CA-T24 or the FA-CT with the CAN head fitted

WATCH ON



## PROREACH® HANDLE

This multi-purpose, extendable handle can be fitted to a number of Tapepro tools. The ProReach® handle extends from 960mm - 1600mm with 4 locking positions.

- Extends from 960-1600mm with 4 locking positions
- Anodised outer tube for excellent wear resistance
- The XH fits directly to the Inside & Outside Corner Rollers and Nail Spotters, add CFA024 to make it a CF-XH or add XH023 for a CA-XH



ABC-133  
Code

Barcode

Size

ea Exc

XH

9315778998314

960-1600mm

\$182.00

**3** Three year limited warranty

Extendable handle

Spare parts and service available

**PAGE 152** Parts Diagram Available

## CORNER FINISHER HANDLE

The Tapepro Corner Finisher Handles fit perfectly to Straight Glazers and Corner Finishers to leave your corners with the correct amount of compound with perfectly feathered edges.



- Hard wearing anodised handle tube
- Equipped with an acetal ball connector which provides better fit and greater wear resistance
- Available in fixed 1200mm (CFH-1200) and extendable 960-1600mm (CF-XH)
- Compatible with Tapepro Straight Glazers (SG-55, SG-75, SG-90) and Corner Finishers (CFP-75, CF-65, CF-75, CF-90)

ABC-133  
Code

Barcode

Description

Size

ea Exc

CFH-1200

9315778993975

Corner Finisher Handle

1200mm

\$119.00

CF-XH

9315778998277

ProReach® Extendable Corner Finisher Handle

960-1600mm

\$187.00

## STRAIGHT GLAZERS

Straight Glazers snap onto the Corner Finisher Handle (CFH-1200 / CF-XH) to glaze off taped internals quickly and easily. After applying tape and bedding in, pass the Tapepro Straight Glazer from top to bottom and it will simultaneously wipe off excess compound and perfectly feather the edges of the internal.



SG-55



- Made from durable stainless steel and acetal plastic
- Snaps onto Corner Finisher Handle (CFH-1200 / CF-XH)
- Available in three sizes 55mm (SG-55), 75mm (SG-75) and 90mm (SG-90)

**PAGE 163** Parts Diagram Available

Spare parts and service available

**3** Three year limited warranty

Fast corner finishing

ABC-133  
Code

Barcode

Size

ea Exc

SG-55

9315778995092

55mm

\$233.00

SG-75

9315778997935

75mm

\$265.00

SG-90

9315778998192

90mm

\$280.00

## INSIDE CORNER ROLLER

Bed in joint tape and corner beads with ease using Tapepro's famous Corner Roller. The inside Corner Roller (CR-H / CR-XH) is designed for use after taping - the self aligning rollers force excess compound out. Use the Inside Corner Roller on joint tapes, paper faced bead and corner tape.



Spare parts and service available



Rinse off with water



Three year limited warranty



Parts Diagram Available



Fast corner finishing\*

- Hard wearing die cast aluminium body
- Durable solid stainless steel rollers with acetal bushes for smooth rolling
- Swivel attachment adjusts to any angle
- Embed joint tape (paper tape / FibaFuse®), paper faced beads, and corner tape (No-Coat®, LevelLine® and Strait-Flex)
- Handle compatible with Outside Corner Roller Head (OCR)
- Available with a fixed 1200mm handle (CR-H) or an Extendable 960-1600mm Handle (CR-XH)



JISC-123

Code



Barcode



Description



Size



ea Exc

CR-H

9315778993982

Internal Corner Roller with Handle

1200mm

\$353.00

CR-XH

9315778998284

Internal Corner Roller with Extendable Handle

960-1600mm

\$430.00

## CORNER GLAZER

The Tapepro Corner Glazer fits to the Corner Box (CA-H / CA-XH) or Compound Applicator Tube (CA-T / CA-T24) to finish internal corners in a single pass.

JISC-123

Code



Barcode



Size



ea Exc

CG-75

9315778996877

75mm

\$290.00

- Made from durable stainless steel and acetal plastic
- Snaps onto Corner Box (CA-H / CA-XH) or Compound Applicator Tube (CA-T / CA-T24)
- Simultaneously applies the correct amount of compound and feathers the edges of internal corner joints

CG-75



PAGE 163

Parts Diagram Available

2

Applies 2nd coat



Fast corner finishing



Rinse off with water



Spare parts and service available

3

Three year limited warranty



## CORNER BOX

The Tapepro Corner Box when paired with a Corner Glazer (CG-75) or Corner Finisher (CFP-75, CF-65, CF-75, CF-90), delivers joint compound to internal corners.

- Super tough peened anodised aluminium box body
- High flow nozzle
- Long reach cone for tight corners
- Safety cable to attach Corner Finisher
- Available with a fixed 1200mm Handle (CA-H) or an Extendable 960-1600mm Handle (CA-XH)
- Compatible with Tapepro Corner Glazer (CG-75) and Corner Finishers (CFP-75, CF-65, CF-75, CF-90)

Code	Barcode	Description	Size	ea Exc
CA-H	9315778991483	Corner Box with Handle	1200mm	\$621.00
CA-XH	9315778999465	Corner Box with ProReach® Extend Handle	960-1600mm	\$699.00

- 2** Applies 2nd coat
- 0.98 litres
- PAGE 159** Parts Diagram Available
- Spare parts and service available
- Wide opening pressure plate for easy cleaning
- 3** Three year limited warranty
- Fast corner finishing
- Can be used with Base (chemical setting) compounds



## OUTSIDE CORNER ROLLER

The Outside Corner Roller is designed to be used on a multitude of different 90° corner beads and tapes including Trim-Tex™ and No-Coat®. It delivers firm, even pressure to the entire trim for a strong bond to the corner - every time.



- Tough stainless steel sheet metal body with acetal plastic rollers
- Rollers pivot in the centre allowing for corners that are not exactly 90° and corner beads that have either tapered or parallel legs
- Swivel attachment adjusts to any angle
- Install Trim-Tex Mud Set™, HydroTrim, Paper Face Metal Bead, No-Coat® and more
- OCR is compatible with the 1200mm Corner Roller Handle (CRA015) and the Pro-Reach Extendable Handle 960-1600mm (XH)

Code	Barcode	Description	Size	ea Exc
OCR	9315778000833	Outside Corner Roller Head		\$161.00
OCR-H	9315778000840	Outside Corner Roller with Handle	1200mm	\$259.00
OCR-XH	9315778000857	Outside Corner Roller with Extendable Handle	960-1600mm	\$337.00

- PAGE 161** Parts Diagram Available
- 3** Three year limited warranty
- Spare parts and service available
- Rinse off with water
- Fast corner finishing



## CORNER FINISHERS

The Corner Finisher range are Tapepro's premium internal finishers. Each of the Corner Finishers can be snapped onto a Corner Finisher Handle (CFH-1200 / CF-XH) to glaze off excess compound after installing tape. They're also expert finishers - simultaneously applying the perfect top coat to internal corners and feathering the edges.

### CF-65, CF-75, CF-90 Features:

- Made from precision machined billet aluminium for superior durability and performance
- Fabricated stainless steel frames provide the perfect fit for smooth operation
- Durable, long life carbide blades
- Safety clip to securely attach to Tapepro Corner Box
- Compatible with the Corner Finisher Handle (CFH-1200 / CF-XH) for internal glazing
- Fits to the Corner Box (CA-H / CA-XH) or Compound Applicator Tube (CA-T / CA-T24) for finishing

### CFP-75 Features:

- Affordable precision - the same superior performance as the traditional corner finishers
- Low friction, high strength industrial plastic body
- Laser cut stainless steel frames provide the perfect fit for smooth operation
- Durable, long life carbide blades
- Fits to the Corner Finisher Handle (CFH-1200 / CF-XH) for internal glazing
- Snaps onto Corner Box (CA-H / CA-XH) or Compound Applicator Tube (CA-T / CA-T24) for finishing

- 2** Applies 2nd coat
- 3** Three year limited warranty
- 3** Fast corner finishing
- 162** Spare parts and service available
- Rinse off with water
- 162** Parts Diagram Available

A30-153

Code



Barcode



Description



Size



ea Exc

CFP-75	9315778000390	Corner Finisher CFP Series	75mm	\$430.00
CF-65	9315778994095	Corner Finisher	65mm	\$699.00
CF-75	9315778991490	Corner Finisher	75mm	\$720.00
CF-90	9315778996884	Corner Finisher	90mm	\$740.00

WATCH ON

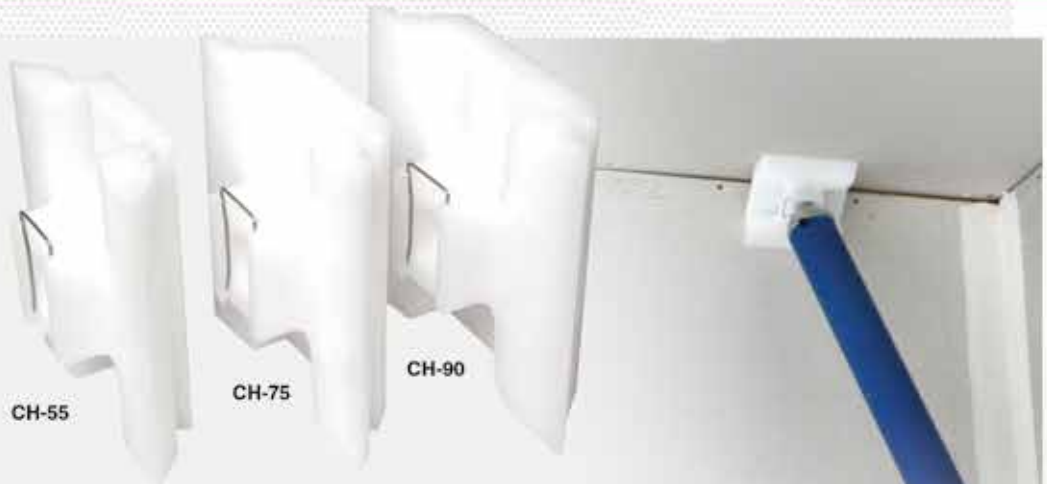




## CORNICE HEADS

Install cornice in half the time of traditional methods with the Tapepro Cornice Heads. Simply fill the Tapepro Compound Applicator Tube (CA-T) with cornice cement, snap on a Cornice Head and run along the wall/ceiling junction to apply the perfect amount of adhesive for cornice installation.

- Reduce installation time and fatigue
- Made from super hard wearing industrial plastic
- Apply consistent, measured beads of cornice adhesive reducing wastage
- Compatible with the Compound Applicator Tube (CA-T)



Rinse off with water



Fast cornice installation\*



Three year limited warranty

ASC 123

Code

CH-55

CH-75

CH-90



Barcode

9315778998079

9315778998086

9315778998093

mm

Size

55mm

75mm

90mm



ea Exc

\$247.00

\$258.00

\$269.00

WATCH ON



## CASES

## TAPEPRO CASES

Protect and transport your tools with a Tapepro Tool Case.



TC-1200

### TC-1200 Features:

- Aluminium casing with reinforced corners
- Four latches
- Comfortable handle
- 1230mm x 350mm x 115mm - 7kg

TC-1400



ASC 123

Code

TC-1200

TC-1400



Barcode

9315778998895

9315778997942

mm

Size

1200mm

1400mm



ea Exc

\$182.00

\$328.00

### TC-1400 Features:

- Checker plate aluminium casing with reinforced corners
- Four latches with two separate locking points
- Two comfortable handles
- Roller wheels at one end
- 1400mm x 360mm 175mm - 9.5kgs

# COMBOS

Tapepro's Slayer Corner Kit includes all the tools required to tape and set internal corners. The kit will significantly speed up the internals process when compared to hand taping and setting and includes the Tapepro Inside Corner Roller to insure even tape bedding.

The Slayer Kit allows the user to run base compound along the internal joint with the compound tube and angle head. The roller will bed the joint tape squarely into the corner and spread the compound evenly. The 55mm glazing head then feathers the compound to a flat finish. Once base compound is dry the compound application process is repeated for subsequent topping coats with the 75mm glazing head.

# SLAYER CORNER KIT

“Setting corners with the Slayer Kit not only saves time but also reduces waste by maintaining a fixed level of applied compound.”

And the Slayer tools are secured in a tough aluminium case that's designed for protection and will make transporting them simple.



# NEW

 Spare parts and service available

 Three year limited warranty

 Fast corner finishing

ABC-123 Code	Barcode	Contents Code	Description	Size	ea Exc
TK-SCK1	9315778001793		<b>SLAYER CORNER KIT</b>		<b>\$1,571.00</b>
		SG-55	Straight Glazer	55mm	
		SG-75	Straight Glazer	75mm	
		CA-T	Compound Applicator Tube	900mm	
		AH-38	Angle Head Applicator	38mm	
		TC-1200	Tool Case	1200mm	
			Corner Finisher Handle	960mm	
			Corner Roller	960mm	

## FLAT FINISHING COMBOS

Everything you need to get started with flat finishing using Tapepro Tools. Choose from the Trade Tools set or the Professional set and start finishing faster.



TK-TR1

ABC-153 Code	Contents Code	Description	Size	ea Exc
<b>TK-TR1 TAPEPRO TRADE FINISHING KIT \$2,778.00</b>				
	FFB-200	Flat Box Blue2®	200mm	
	FFB-300	Flat Box Blue2®	300mm	
	FHX	ProReach® Extendable Flat Box Handle	980-1600mm	
	LP-EZ	Loading Pump Ezy Prime Tapepro		
	FBF	Box Filler Tapepro		



Fast flat finishing



Spare parts and service available



3 Three year limited warranty



Can be used with Base (chemical setting) compounds



TK-PRO1

ABC-153 Code	Contents Code	Description	Size	ea Exc
<b>TK-PRO1 TAPEPRO PROFESSIONAL FINISHING KIT \$3,8376.00</b>				
	FFB-200	Flat Box Blue2®	200mm	
	FFB-250	Flat Box Blue2®	250mm	
	FFB-300	Flat Box Blue2®	300mm	
	FHX	ProReach® Extendable Flat Box Handle	980-1600mm	
	LP-EZ	Loading Pump Ezy Prime Tapepro		
	FBF	Box Filler		
	TC-1400	Tool Case	1400mm	

## BASE COMBO

Apply compound to flat joints and internal corners in preparation for taping. This combo also allows you to glaze off internal corners while perfectly feathering the edges.



TK-BK1

ABC-153 Code	Contents Code	Description	Size	ea Exc
<b>TK-BK1 TAPEPRO BASE KIT \$1,418.50</b>				
	CA-T	Compound Applicator Tube	900mm	
	TC-1200	Tool Case	1200mm	
	CF-XH	ProReach® Extendable Corner Finisher Handle	960-1600mm	
	FAN	MudShark Nozzle		
	SG-55	Straight Glazer	55mm	
	SG-75	Straight Glazer	75mm	
	AH-38	Internal Applicator Head Tapepro	38mm	



Filling tool



1 Applies 1st coat



3 Three year limited warranty



Spare parts and service available



Can be used with Base (chemical setting) compounds

“ Tapepro is an agile and innovative company that strives to respond to customer’s needs ”

Tom Gill  
Manager  
Tapepro  
Drywall Tools



# REPAIR KITS & PARTS

## FLAT BOX MAINTENANCE KIT - FBK01



Covers commonly required parts for general maintenance. Use this kit when the box is leaking due to wear between the pressure plate axle and the nyliners.

Contents:  
 F025 Pressure Plate Axle x 1  
 F006 Nyliner x 2  
 F009 Blade x 1  
 SA051 Thumb Screw x 2  
 AT062 4-40 x 5/16" BH Screw x 5,79

Code	Barcode	ea Exc
FBK01-200	9315778991315	\$51.00
FBK01-250	9315778991322	\$53.30
FBK01-300	9315778991339	\$59.10



Available in 200mm, 250mm and 300mm.

## FLAT BOX SERVICE KIT - FBK02



Replaces the seals, skids and wheels. Use this kit when the box is leaking due to the seals being worn or deteriorated. Also includes other harder wearing components such as skids and wheels.

Contents:  
 F030 Pressure Plate Wiper x 1  
 F017 Axle Wiper x 1  
 F006 Skid x 1  
 F024 Skid x 1  
 FA020 Tyre & Wheel x 2  
 F032 Bushing x 2  
 F007 5-40 x 1/8" BH Screw x 4

Code	Barcode	ea Exc
FBK02-200	9315778991346	\$94.20
FBK02-250	9315778991353	\$96.90
FBK02-300	9315778991360	\$99.70



Available in 200mm, 250mm and 300mm.

## FLAT BOX OVERHAUL KIT - FBK03



Includes all wear items to fully overhaul the flat box. Use this kit when the box has been used for an extended period and all wear items require replacement.

Contents:  
 FBK01 Maintenance Kit x 1  
 FBK02 Service Kit x 1  
 F039 Blade Holder x 1  
 F044 Blade Holder Tab x 4  
 F034 Spring x 1  
 F028 10-32 Wing Nut X 2  
 F042 Pressure Plate Spring x 2  
 AT042 4-40 x 5/16" Screw x 2

Code	Barcode	ea Exc
FBK03-200	9315778991377	\$275.50
FBK03-250	9315778991384	\$285.70
FBK03-300	9315778991391	\$301.80



Available in 200mm, 250mm and 300mm.

## FLAT BOX HANDLE MAINTENANCE KIT - FHK01



Replaces the major wear components - hinge assembly, locking cam and retainer. Use this kit when the brake action is ineffective due to wear in these components, and the hinge is bottoming out.

Contents:  
 FHA002 Hinge Assembly x 1  
 FH005N Locking Cam x 1  
 FH007 Retainer x 1

Code	Barcode	ea Exc
FHK01	9315778995894	\$156.30

## CORNER ROLLER MAINTENANCE KIT - CRK01



Replaces the rollers and bushings. Use this kit when the corner rollers are too loose and the roller ends may be catching on the wall.

Contents:  
 CR002 Bushings x 4  
 CR003 Roller S/S x 4  
 CR004 1/4" -20 x 1-1/4" Hex Hd x 4

Code	Barcode	ea Exc
CRK01	9315778995883	\$121.20

## CORNER BOX MAINTENANCE KIT - CBK01



Replaces the pressure plate axle and nyliners. Use this kit when the box is leaking due to wear between these components.

Contents:  
 F00A Nyliner x 2  
 CB014 Axle x 1  
 AT062 4-40 x 5/16" BH Screw x 3

Code	Barcode	ea Exc
CBK01	9315778998185	\$31.70

## CORNER BOX SERVICE KIT - CBK02



Replaces the seals. Use this kit when the box is leaking due to the seals being worn or deteriorated.

Contents:  
 S012-75 Axle Wiper 75mm x 1  
 CB020 Pressure Plate Wiper x 1

Code	Barcode	ea Exc
CBK02	9315778995438	\$64.00

## CORNER FINISHER MAINTENANCE KIT - CFK01



Covers resetting the Corner Finisher, replacing skids and grub screws. Use this kit when the finisher is leaving thick edges or ripping tape.

Contents:  
 CF002 6-32 x 1/8" Set Screw x 10  
 CF013 Skid x 2

Code	Barcode	ea Exc
CFK01	9315778991445	\$29.70

## CORNER FINISHER SERVICE KIT - CFK02



Replaces blades, clips, ball retainer and associated screws. Use this kit when the blades are broken or damaged and clips are worn. To check blades, run a fingernail along the leading edge. You should be able to feel a crack or break.

Contents:  
 CF10/22 Size Carbide Blade x 2  
 AT012 8-32 x 1/4" Set Screw x 2  
 CFA118 Lower Clip Assembly x 1  
 CF103 Upper Clip x 1  
 CF020 Ball Retainer x 1

Code	Barcode	ea Exc
CFK02-65	9315778996136	\$104.20
CFK02-75	9315778996419	\$104.20
CFK02-90	9315778996412	\$104.20



Available in 65mm, 75mm & 90mm.

## LOADING PUMP MAINTENANCE KIT - LPK01



Replaces the rubber components. Use this kit when the pump is not sealing properly and performance is low.

Contents:  
 P003 Piston Wiper x 1  
 P004 O Ring Piston x 1  
 P005 O Ring x 1  
 P031 U Cup x 1  
 P051 O Ring x 1

Code	Barcode	ea Exc
LPK01	9315778995870	\$44.90

## LOADING PUMP SERVICE KIT - LPK02



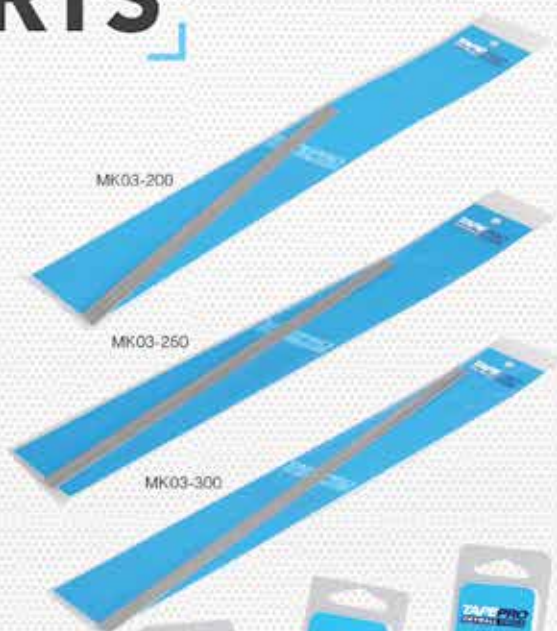
Replaces the piston rod bush and suction screen. Use this kit when these components are worn or damaged.

Contents:  
 P030 Nylon Bushing x 1  
 P025F Screen Fine x 1

Code	Barcode	ea Exc
LPK02	9315778995887	\$20.70

# PACKAGED PARTS

Code	Barcode	Description	ea Exc
AT031-5pk	9315778999731	Cutter Blade 5pk	\$18.30
AT074-5pk	9315778999748	Feed Needle 5pk	\$10.35
CG005	9315778999694	Spring Retainer	\$18.60
F006-2pk	9315778999649	Skids (left/right) Set	\$9.55
F007-4pk	9315778999687	Skid Screws Set	\$3.85
F008-2pk	9315778999656	Flat Box Nyliner Set	\$14.15
F032-2pk	9315778999670	Wheel Bush Set	\$17.15
FA020-2pk	9315778999632	Tyre & Wheel Set	\$28.15
MB-18-2pk	9315778999724	Tape Spool Spacer Set	\$21.20
MB-22-2pk	9315778999717	Tension Spring Set	\$14.25
SA051-2pk	9315778999663	Thumb Screw Set	\$8.00
MK03-200	9315778999755	Flat Box Blade 200mm 3pk	\$16.85
MK03-250	9315778999762	Flat Box Blade 250mm 3pk	\$17.70
MK03-300	9315778999779	Flat Box Blade 300mm 3pk	\$18.65



## NEED PARTS?

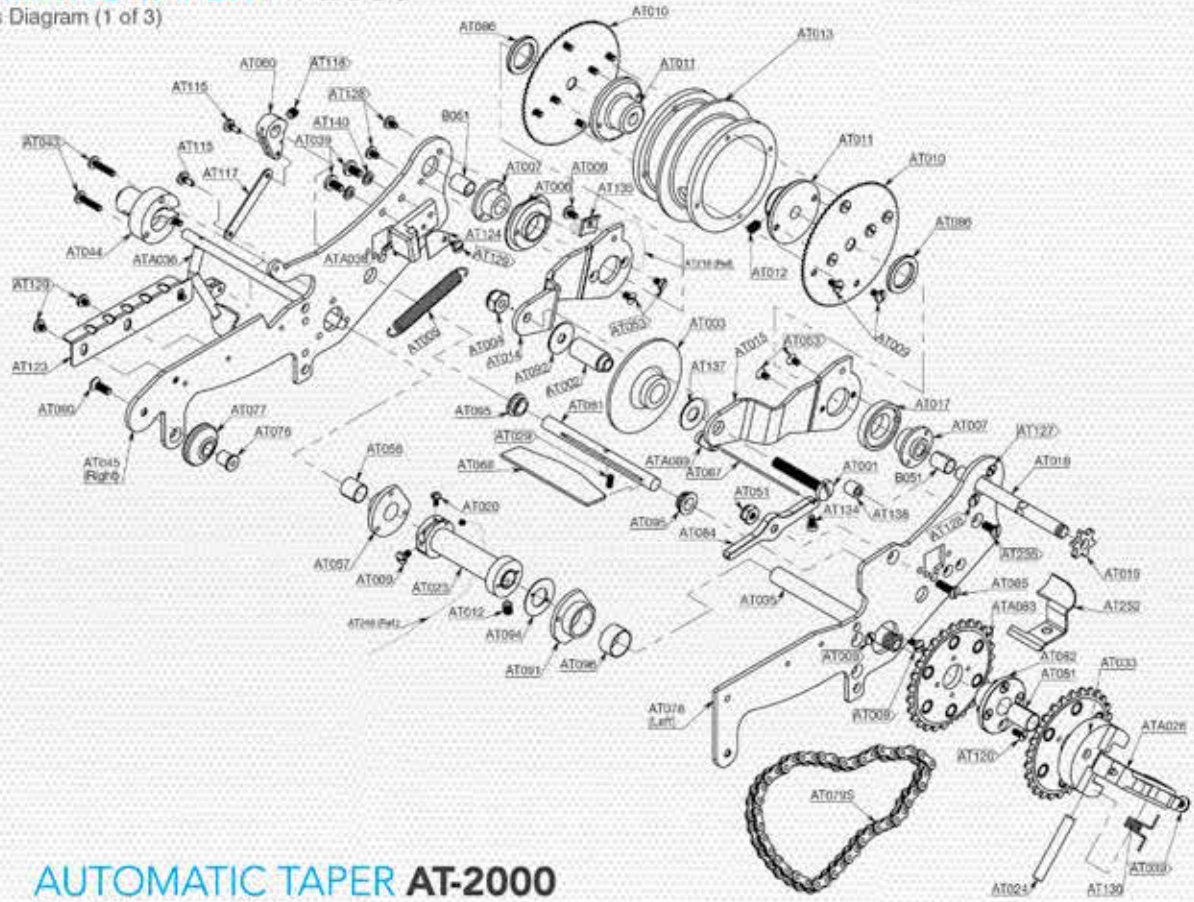


See the range of spare parts available in retail packaging!

For all the latest news and updates follow us on Facebook  
[www.facebook.com/tapepro](http://www.facebook.com/tapepro)

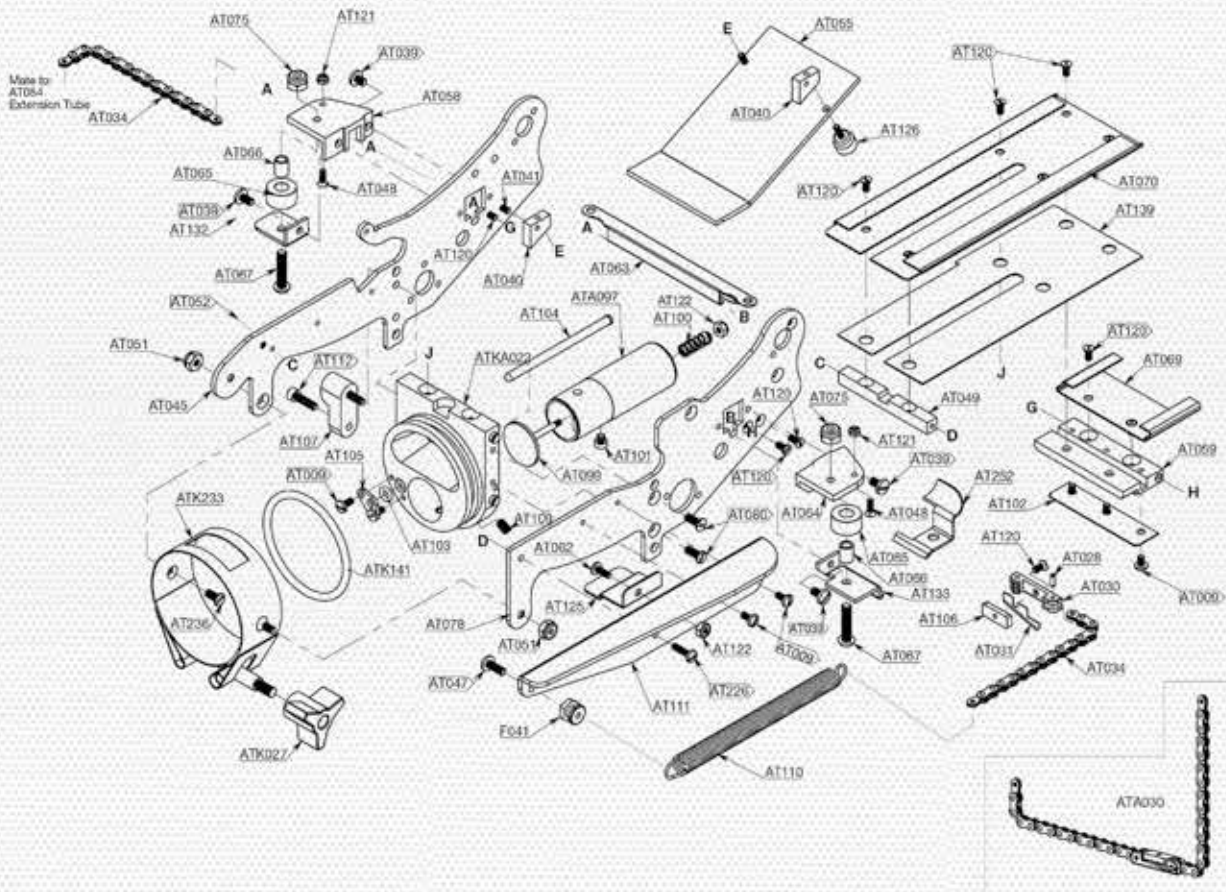
## AUTOMATIC TAPER AT-2000

Spare Parts Diagram (1 of 3)



## AUTOMATIC TAPER AT-2000

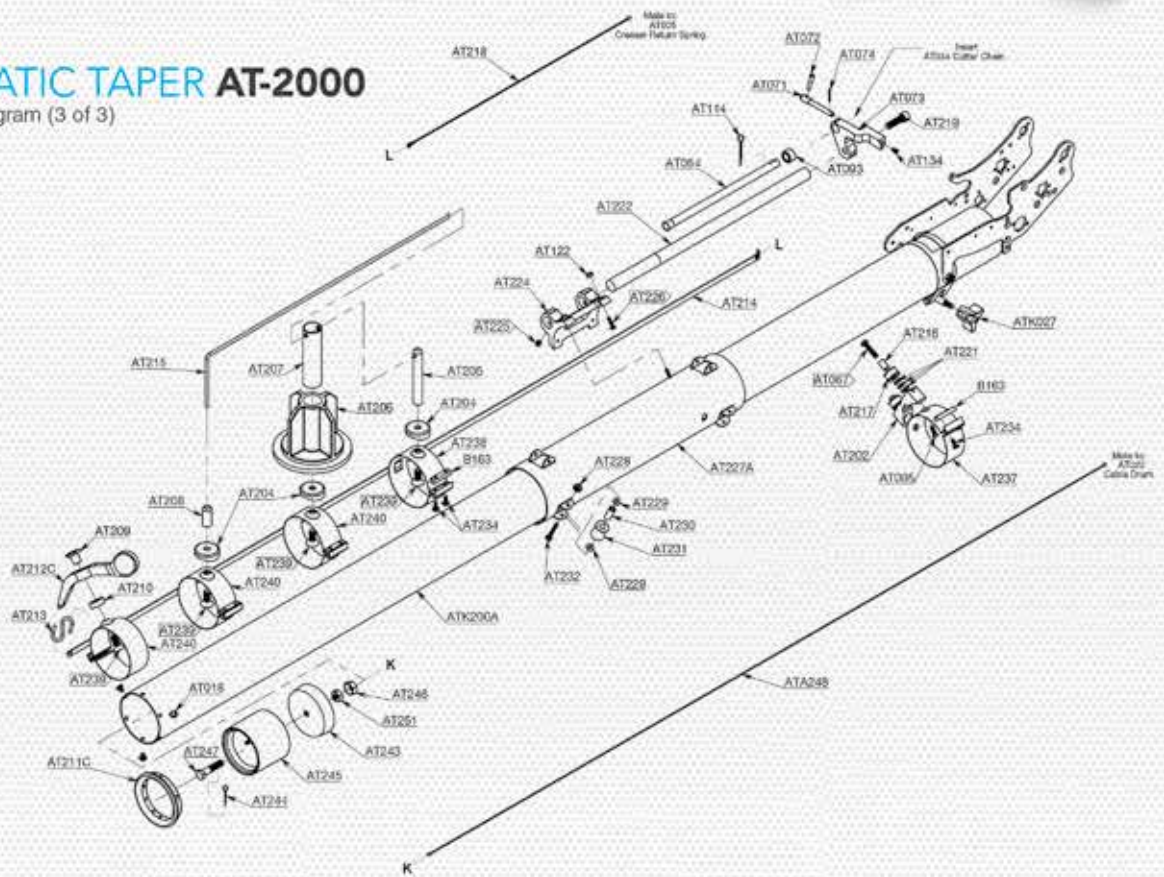
Spare Parts Diagram (2 of 3)



Use only genuine Tapepro parts on Tapepro Drywall Tools. Using other brands parts on a Tapepro tool may affect the operation of the product and void warranty.

# AUTOMATIC TAPER AT-2000

Spare Parts Diagram (3 of 3)



## TAPEPRO AUTOMATIC TAPER SPARE PARTS

Code	Description	\$ ea Exc	Code	Description	\$ ea Exc
AT001	10-32 x 1-1/4 B.H. Screw	\$1.43	AT033	Drive Dog Holder	\$69.00
AT002	Creaser Wheel Bushing	\$9.55	AT034SS	Cutter Chain	\$64.70
AT003	Taper Creaser Wheel	\$17.40	AT035	Drive Axle	\$88.45
AT004	10-32 Nylock	\$1.27	AT039	6-32 x 1/4 B.H. Screw	\$0.27
AT005	Creaser Return Spring	\$4.35	AT040	Screw Block	\$29.30
AT006	Creaser Arm Bushing	\$30.65	AT041	4-40 x 1/4 B.H. Screw	\$0.69
AT007	Bushing	\$33.15	AT042	4-40 x 5/16 Fillister Hd	\$0.69
AT008	Bearing Liner	\$3.55	AT043	4-40 x 1/2 B.H. Screw	\$0.69
AT009	4-40 x 3/16 B.H. Screw	\$0.42	AT044	Cam	\$58.00
AT010	Tape Wheel	\$12.25	AT045	Right Side Plate	\$73.45
AT011	Tape Wheel Drive Hub	\$27.15	AT046	Dowel Pin Head	\$4.14
AT012	8-32 x 1/4 Set Screw Cut Pl	\$1.96	AT047	6-32 x 3/8 B.H. Screw	\$0.32
AT013	Tape Wheel Spool	\$72.50	AT048	3-43 x 5/16 Fit. Hd. Screw	\$0.53
AT014	Right Arm Creaser	\$35.70	AT049	Tape Guide Support	\$39.90
AT015	Left Arm Creaser	\$24.30	AT050	Spacer	\$5.25
AT016	6-32 x 3/16 B.H. Screw	\$0.32	AT051	6-32 Nylock	\$0.95
AT017	Creaser Arm Bushing	\$23.75	AT052	4-40 x 5/16 Fit. Hd. Screw	\$0.32
AT018	Drive Axle 6mm	\$59.12	AT053	4-40 x 3/16 Fit. Hd. Screw	\$0.32
AT019	Small Gear	\$20.75	AT054	Extension Tube	\$25.50
AT020	2-56 x 3/16 B.H. Screw	\$0.79	AT055	Cover Plate	\$49.45
AT021	8-32 x 7/16 Fillister Hd Screw	\$0.53	AT056	Bearing Liner	\$6.24
AT023	Cable Drum	\$89.75	AT057	Bushing	\$44.80
AT024	Drive Dog Axle	\$13.65	AT058	Roller Support	\$54.20
AT025	Dowel Pin Head	\$4.24	AT059	Tape Guide Connector	\$69.65
AT028	Roll Pin 2mm x 6mm	\$0.32	AT060	Gate Valve Cam	\$92.90
AT029	4-40 x 1/4 Set Screw Cup	\$1.96	AT061	Gate Valve Axle	\$34.60
AT030	Cutter Block	\$62.55	AT062	4-40 x 5/16 B.H. Screw	\$0.32
AT031	Cutter Blade	\$3.65	AT063	Cutter Channel	\$61.05
AT031-5PK	Cutter Blade 5 pack	\$18.30	AT064	Roller Support	\$51.80
AT032	Dowel Pin (Drive Dog)	\$2.44	AT065	Roller	\$5.25

Use only genuine TapePro parts on TapePro Drywall Tools. Using other brands parts on a TapePro tool may affect the operation of the product and void warranty.



# AUTOMATIC TAPING TOOLS

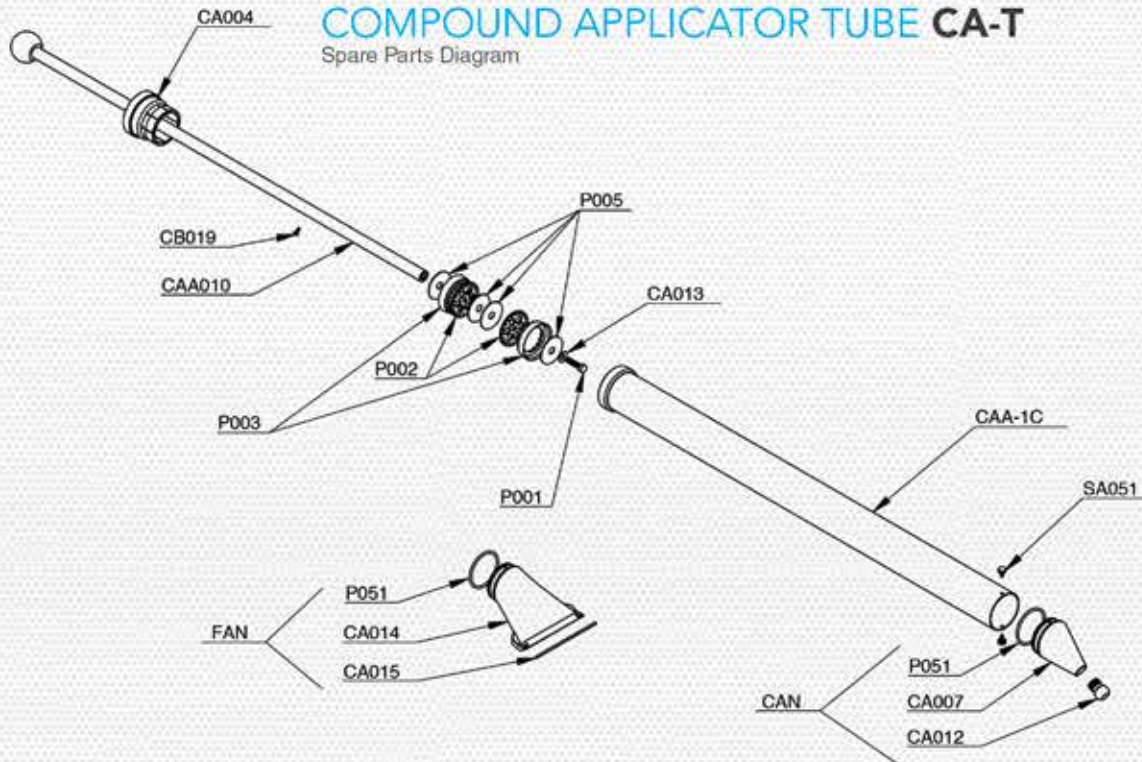
## TAPEPRO AUTOMATIC TAPER SPARE PARTS cont...

Code	Description	\$ ea Exc	Code	Description	\$ ea Exc
AT066	Bushing	\$10.40	AT202	Roller Bracket	\$63.05
AT067	8-32 x 3/4 Truss Hd. Screw	\$0.95	AT204	Post Spacer	\$12.45
AT068	Gate Valve	\$13.90	AT205	Keeper Post	\$15.65
AT069	Tape Guide Extension	\$46.05	AT206	Tape Spool	\$18.65
AT070	Tape Guide	\$69.00	AT207	Spool Post	\$27.95
AT071	Needle Holder	\$41.40	AT208	Keeper Socket	\$10.40
AT072	Rubber Engaging Lever	\$12.10	AT209	Trigger Post	\$23.90
AT073	Needle Holder Housing	\$59.80	AT210	Trigger Spacer	\$10.40
AT074	Needle	\$2.07	AT211C	End Ring	\$47.85
AT074-5PK	Feed Needle 5 pack	\$10.35	AT212C	Creaser Trigger	\$71.20
AT075	8-32 Nylock	\$1.48	AT213	S Hook	\$1.80
AT076	Cable Sheave Bearing	\$9.30	AT214	Creaser Strap	\$33.45
AT077	Cable Sheave	\$12.80	AT215	Tape Keeper	\$9.10
AT078	Left Side Plate	\$73.45	AT216	Bushing	\$11.15
AT079S	Drive Chain S/S	\$11.00	AT217	Roller	\$6.35
AT080	6-32 x 3/8 Flt. Hd. Screw	\$0.32	AT218	Creaser Cable	\$31.60
AT081	Bearing Liner	\$5.35	AT219	1/4-20 x 7/8 Soc Cap Screw	\$1.27
AT082	Sprocket Hub	\$69.60	AT221	#8 Flat Washer	\$0.37
AT084	Axle Holder Lever	\$29.05	AT222	Control Tube Extension	\$39.90
AT085	6-32 x 7/16 Flt. Hd. Screw	\$0.32	AT224	Control Tube Bracket	\$89.56
AT086	Thrust Bearing	\$7.05	AT225	10-32 x 1/4 Set Screw Cup Pt	\$2.07
AT087	Back-Up Roller Axle	\$3.55	AT226	4-40 x 7/16 B.H. Screw	\$0.32
AT091	Bushing	\$55.30	AT227A	Control Tube	\$96.30
AT092	Creaser Wheel Washer	\$7.05	AT228	5-40 Nylock	\$0.95
AT093	Extension Stop	\$7.05	AT229	#4 Flat Washer	\$0.37
AT094	Cable Drum Thrust Washer	\$4.90	AT230	Control Tube Roller Bushing	\$8.60
AT095	Nyliner	\$4.75	AT231	Control Tube Roller	\$5.45
AT096	Bearing Liner	\$4.80	AT232	5-40 x 1 B.H. Screw	\$0.69
AT099	Valve	\$22.50	AT234	5-40 x 5/16 B.H. Screw	\$0.69
AT100	Spring	\$3.55	AT235	Band (AT235)	\$22.10
AT101	6-32 x 1/8 Fillister Hd.	\$1.59	AT236	6-32 x 5/16 Flt. Hd. Screw	\$0.69
AT102	Gate Plate	\$5.25	AT237	Band	\$22.15
AT103	O Ring	\$3.09	AT238	Band	\$22.15
AT104	Push Rod	\$26.35	AT239	1/4-20 x 5/8 Allen F.H. Screw	\$1.59
AT105	O Ring Retainer	\$8.60	AT240	Band	\$22.15
AT106	Cutter Block Clamp	\$15.95	AT242	Washer	\$2.97
AT107	Control Tube Stop	\$18.40	AT243-1	Cup Wiper Modified	\$44.65
AT110	Cutter Spring	\$10.90	AT244	Cotter Pin (Piston Cable)	\$0.37
AT111	Spring Shield	\$19.00	AT245	Piston	\$54.85
AT112	6-32 x 1/2 Soc Cap Screw	\$2.44	AT246	Special Concave Nut	\$8.60
AT114	Cotter Pin for Cutter Chain	\$0.95	AT247	Piston Bolt	\$27.10
AT115	Special Gate Valve Connector	\$12.55	AT251	1/4-20 Hex Nut	\$0.95
AT117	Gate Valve Connector	\$9.40	AT252	AT Chain Guard	\$11.45
AT118	8-32 x 3/16 Set Screw Cup Pt	\$2.07	ATA022	Head with Pin Assembly	\$344.85
AT120	4-40 x 1/4 Flt. Hd. Screw	\$0.32	ATA026	Drive Dog with Pin	\$111.55
AT121	3-48 Nylock	\$2.44	ATA030	Cutter Block Assembly	\$184.85
AT122	4-40 Nylock	\$2.44	ATA030SS	Cutter Block Assembly Stainless Steel	\$221.50
AT123	Engaging Cam	\$12.80	ATA036	Disengaging Rod Assembly	\$172.45
AT124	Wear Plate	\$8.00	ATA038	Back Up Roller Bracket Assembly	\$86.30
AT125	Tape Guide	\$12.00	ATA083	Sprocket Assembly	\$12.10
AT126	Thumb Screw	\$8.00	ATA089	Back-Up Roller Assembly	\$26.00
AT127	4-40 x 5/32 Flt. Hd. Screw	\$1.58	ATA097N	Filler Tube Assembly	\$103.60
AT128	4-40 x 5/32 B.H. Screw	\$0.97	ATA248	Puller cable	\$27.57
AT129	4-40 x 1/8 B.H. Screw	\$0.69	ATK027	Black Nob for AT-2000	\$15.95
AT130	Drive Dog Spring	\$6.35	ATK045	Right Side Plate	\$72.35
AT132	Right Roller Shield	\$11.60	ATK071	Needle Holder	\$41.40
AT133	Left Roller Shield	\$15.75	ATK078	Left Side Plate	\$71.40
AT134	4-40 x 3/16 Fillister Hd	\$0.32	ATK108	Control Tube Stop	\$18.40
AT135	Creaser Cable Clamp	\$12.80	ATK111	Spring Cover	\$15.80
AT136	Carbide	\$26.00	ATK133	Blade Gaurd	\$15.80
AT137	Washer	\$5.25	ATK141	O Ring	\$4.15
AT138	Creaser Stop	\$5.60	ATK200A	Main Tube Anodized	\$204.00
AT139	Tape Guide Filler	\$14.05	ATK233	Quick Release Clamp	\$95.60
AT140	6-32#6 Lock Washer	\$0.37	ATK237	Band	\$16.60
AT177	Gate Valve Connector	\$7.70	ATKA022	Head with Pins Assembly	\$398.40
AT200A	Main Tube - (Blue Anodized)	\$204.00	ATKA073	Needle Housing Holder Assembly	\$59.80

Use only genuine Tapepro parts on Tapepro Drywall Tools. Using other brands parts on a Tapepro tool may affect the operation of the product and void warranty.

## COMPOUND APPLICATOR TUBE CA-T

Spare Parts Diagram



### TAPEPRO COMPOUND APPLICATOR TUBE SPARE PARTS

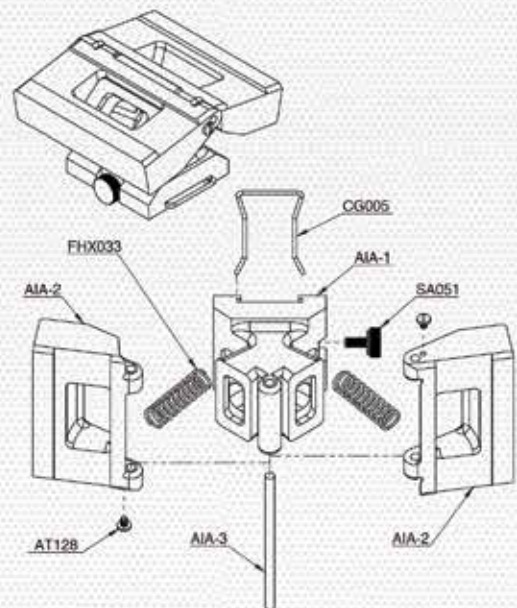
Code	Description	\$ ea Exc	Code	Description	\$ ea Exc
CA004	Plastic End Plug	\$133.85	P051	O Ring	\$4.15
CA007	Nozzle Plastic	\$88.80	SA051	Thumb Screw	\$4.00
CAA009	Ball Anodised	\$54.35	CA014	Flat Applicator Body	\$44.05
CAA010	Pull Rod Assembly for CA-T	\$77.10	CA015	Flat Applicator Blade	\$4.75
CAA-1C	Main Tube with End Ring Assembly for CA-T	\$128.95	CAN	Compound Applicator Nozzle	\$71.50
CA012	Cone Ball Stainless Steel	\$39.35	FAN	Flat Applicator Nozzle	\$51.50
CA013	5/16 x 3/4 x 18g Flat Washer	\$1.11	SA051-2PK	Thumb Screw 2 pack	\$8.00
CB019	Screw	\$0.53	CA002	Piston Assembly CA-T24	\$153.70
P001	5/16-24 X 1 1/4 Hex Hd. Screw	\$2.55	CA010-24	Pull Rod for CA-T24	\$74.25
P002	Piston Disc	\$22.90	CA-1-24	Main tube for CA-T24	\$126.20
P003	Piston Wiper	\$39.90			
P005	Valve Disc	\$7.05			

## ADJUSTABLE INSIDE APPLICATOR AIA

Spare Parts Diagram

### TAPEPRO ADJUSTABLE INSIDE APPLICATOR SPARE PARTS

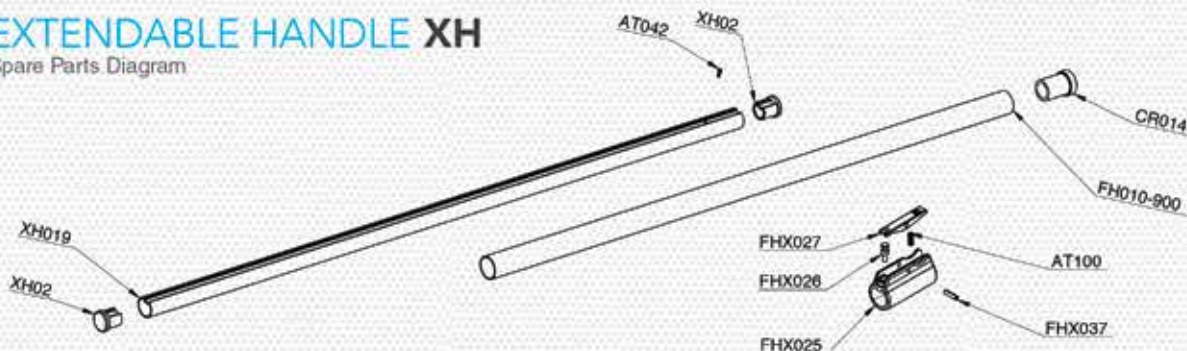
Code	Description	\$ ea Exc
AIA-1	AIA Body	\$126.20
AIA-2	AIA Wing	\$81.65
AIA-3	4 x 80mm Stainless Steel Rod	\$6.58
CG005	Glazer Spring Retainer	\$18.60
FHX033	Brake Spring Stainless Steel	\$3.90
SA051	Thumb Screw	\$4.00
AT128	4-40 x 5/32 B.H. Screw	\$0.97



Use only genuine Tapepro parts on Tapepro Drywall Tools. Using other brands parts on a Tapepro tool may affect the operation of the product and void warranty.

## EXTENDABLE HANDLE XH

Spare Parts Diagram



### TAPEPRO EXTENDABLE HANDLE SPARE PARTS

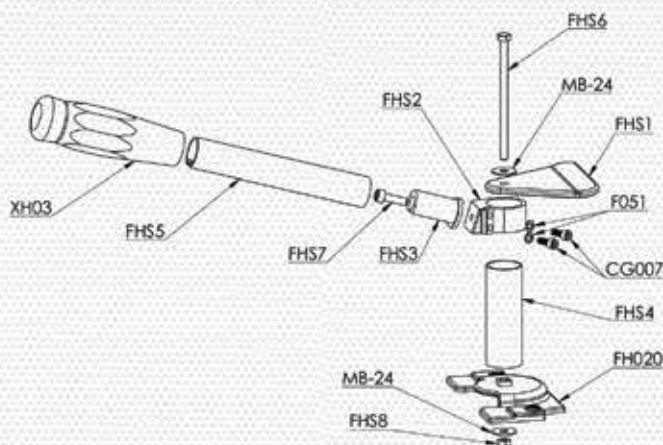
Code	Description	\$ ea Exc	Code	Description	\$ ea Exc
XH02	Extension Handle Bush	\$9.00	FHX037	Spring Pin MS x 20 SS	\$4.00
FH010-900	Tube Only 900mm Anodised	\$103.45	AT042	4-40 x 5/16 Fillister Hd	\$0.69
XH019	Inner Tube	\$103.95	AT100	Spring	\$3.55
FHX025	Extension Sleeve	\$37.10	CR014	Handle End	\$27.50
FHX026	Locating Pin	\$19.10	XH03	XH Rubber Grip	\$7.95
FHX027	Extension Lever	\$9.55	XH023	Corner Box adaptor stud	\$19.10

## SHORTY FLAT BOX HANDLE FH-S

Spare Parts Diagram

### SHORTY FLAT BOX HANDLE SPARE PARTS

Code	Description	\$ ea Exc
FHS1	Shorty Plate	\$29.75
FHS2	Shorty Clamp	\$91.60
FHS3	Shorty Insert	\$30.55
FHS4	Shorty Main Tube	\$7.50
FHS5	Shorty Handle Tube	\$5.50
FHS6	Hx Hd Bolt SS M6x1x100mm	\$4.50
FHS7	SHCS SS M6x1x20mm	\$1.80
FHS8	Nyloc Nut SS M6x1mm	\$1.10
MB-24	Washer S/S 1/4 x 3/4	\$1.17
XH03	XH Rubber Grip	\$7.95
FH020	Bottom Plate	\$37.10
CG007	10-32 x 1/2 Soc Hd Cap Screw S/S	\$2.01
F051	#10 Spring Washer	\$0.32

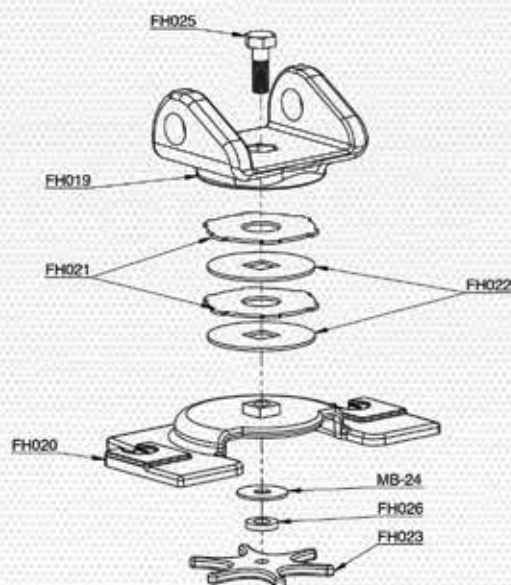


## TWISTER® SWIVEL PLATE TSP

Spare Parts Diagram

### TWISTER SWIVEL PLATE SPARE PARTS

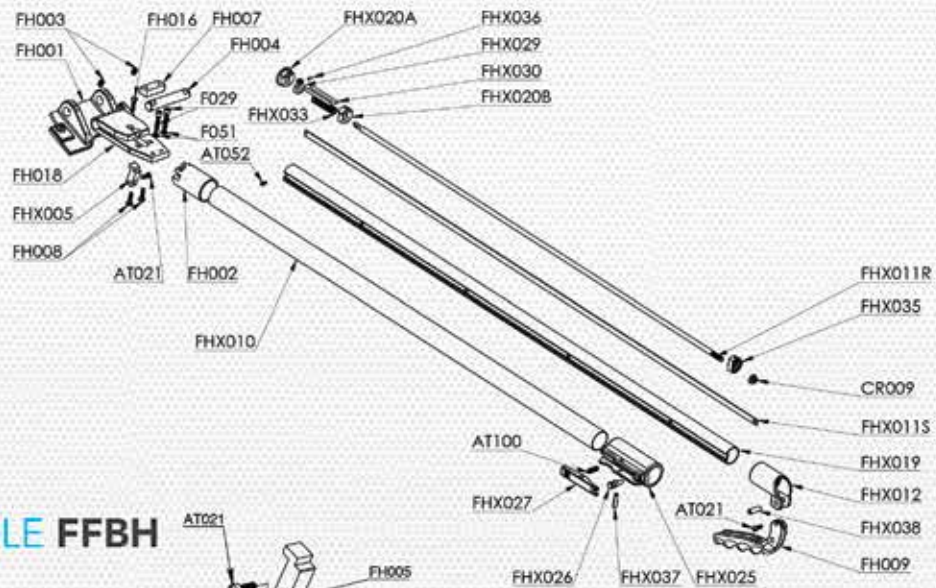
Code	Description	\$ ea Exc
FH019	Top Plate	\$33.95
FH020	Bottom Plate	\$37.10
FH021	Brake washer with tab	\$4.65
FH022	Brake Washer	\$4.65
FH023	Star Wheel	\$15.90
FH025	Screw 1/4 -28 x 3/4 Hex Hd SS 304	\$1.48
FH026	1/4" Acetal Washer	\$182.40
MB-24	Washer Stainless Steel 1/4" x 3/4"	\$1.17



Use only genuine Tapepro parts on Tapepro Drywall Tools. Using other brands parts on a Tapepro tool may affect the operation of the product and void warranty.

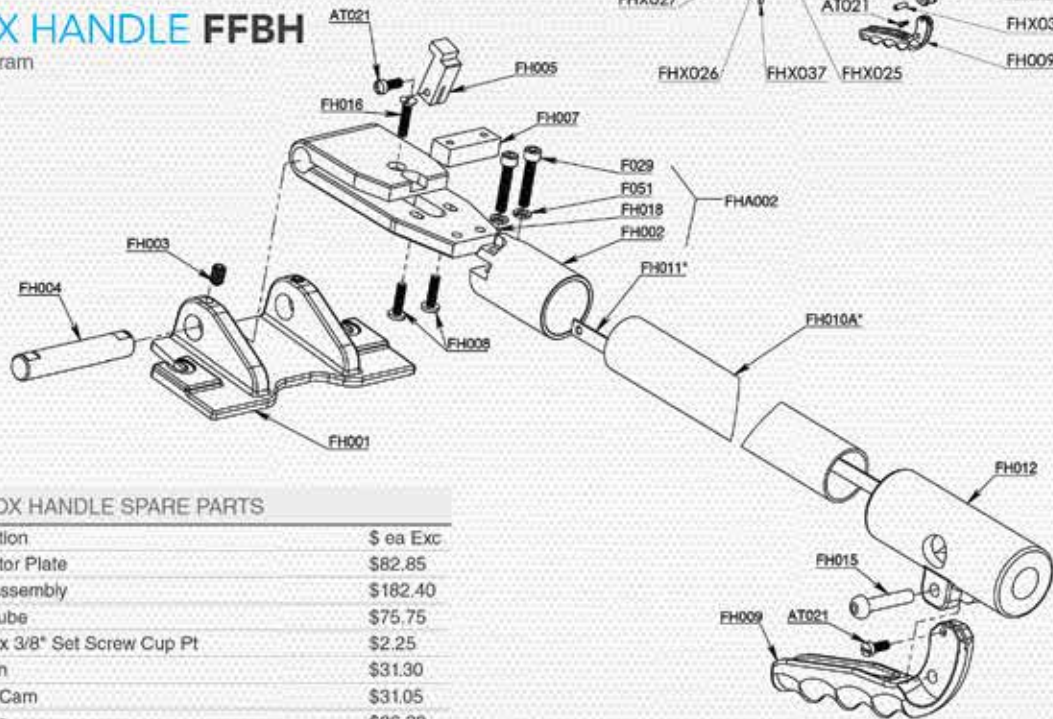
## FLATBOX HANDLE EXTENDABLE FHX

Spare Parts Diagram



## FLAT BOX HANDLE FFBH

Spare Parts Diagram



### TAPEPRO FLAT BOX HANDLE SPARE PARTS

Code	Description	\$ ea Exc
FH001	Connector Plate	\$82.85
FHA002	Hinge Assembly	\$182.40
FH002	Hinge Tube	\$75.75
FH003	1/4"-28 x 3/8" Set Screw Cup Pt.	\$2.25
FH004	Pivot Pin	\$31.30
FHX005	Handle Cam	\$31.05
FH007	Retainer	\$26.30
FH008	8-32 x 5/8" B.H. Screw	\$0.85
FH009	Flat Box Handle Grip	\$69.00
H-600A	Tube Only 600mm	\$88.90
FH010-900	Tube Only 900mm	\$103.45
FH010-1050	Tube Only 1050mm	\$121.10
FH010-1200	Tube Only 1200mm	\$121.10
FH010-1500	Tube Only 1500mm	\$147.60
FH010-1800	Tube Only 1800mm	\$155.00
FH011-600	Handle Connector Strap 600mm	\$23.85
FH011-900	Handle Connector Strap 900mm	\$25.50
FH011-1050	Handle Connector Strap-1050mm	\$27.10
FH011-1200	Handle Connector Strap 1200mm	\$28.20
FH011-1500	Handle Connector Strap -1500mm	\$31.60
FH011-1800	Handle Connector Strap 1800mm	\$31.85
FH012	Sleeve	\$126.10
FH015	Rivet	\$1.27
FH016	8-32 x 3/4 Oval Hd. Screw	\$0.95
FH018	Hinge Plate	\$106.05
FHX010	Extension Handle Tube	\$103.95
FHX011R	Connector Rod	\$58.35
FHX011S	Extension Handle Strap	\$25.20
FHX012	Extendable Handle Sleeve	\$126.10
FH016	8-32 x 3/4 Oval Hd. Screw	\$0.95

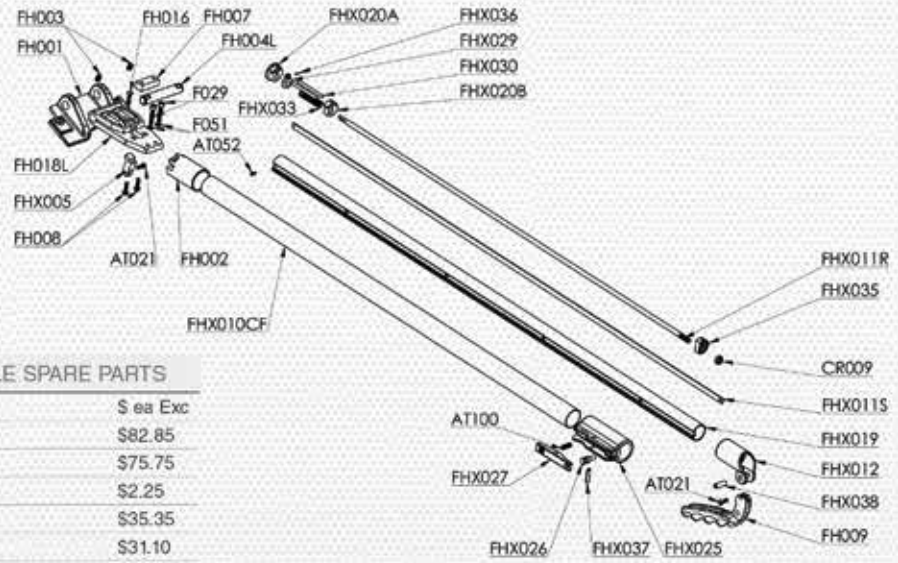
Code	Description	\$ ea Exc
FH018A	Hinge Plate Anodised	\$119.20
FHX019	Extendable Handle Inner Tube	\$103.95
FHX020A	Brake Housing End Plate	\$10.05
FHX020B	Brake Housing End Plate	\$9.55
FHXA020	Brake Housing Assembly	\$32.35
FHX025	Extension Sleeve	\$37.10
FHX026	Locating Pin	\$19.10
FHX027	Extension Lever	\$9.55
FHX029	Brake Washer	\$58.35
FHX030	Steel Pin 4 x 50	\$6.35
FHX033	Stainless Steel Brake Spring	\$3.90
FHX035	Extension Stop	\$9.55
FHX036	WC Dowel Pin 3/32 x 1/4"	\$6.90
FHX037	Spring Pin M5 x 20 SS	\$4.00
FHX038	Spring Pin .25 x .75 SS	\$4.05
AT021	8-32 x 7/16" Fillister Hd Screw	\$0.53
AT052	4-40 x 5/16 FIL Hd. Screw	\$0.32
AT100	Spring	\$3.55
CR009	1/4-20 Thin Nylock	\$1.48
F029	10-32 x 1" Soc Hd Cap Screw	\$1.59
F051	#10 Lock Washer	\$0.32

Use only genuine TapePro parts on TapePro Drywall Tools. Using other brands parts on a TapePro tool may affect the operation of the product and void warranty.

## PRO-REACH SUPERLITE FLAT BOX HANDLE

### FHX-SL

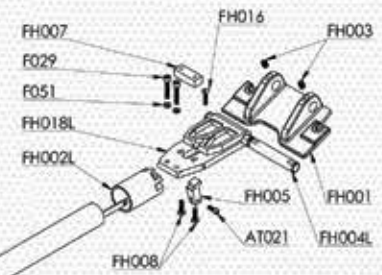
Spare Parts Diagram



#### PRO-REACH SUPERLITE FLAT BOX HANDLE SPARE PARTS

Code	Description	\$ ea Exc
FH001	Connector Plate	\$82.85
FH002L	Hinge Tube	\$75.75
FH003	1/4"-28 x 3/8" Set Screw Cup Pt	\$2.25
FH004L	Pivot Pin	\$35.35
FHX005	Handle cam	\$31.10
FH007	Retainer	\$26.30
FH008	8-32 x 5/8" B.H. Screw	\$0.85
FH009	Flat Box Handle Grip	\$69.00
FHX010CF	Extension Handle Tube - Filament Wound Carbon Fibre	\$205.75
FHX011R	Connector Rod	\$58.35
FHX011S	Extension Handle Strap	\$25.20
FHX012	Extendable Handle Sleeve	\$126.10
FH016	8-32 x 3/4 Oval Hd. Screw	\$0.95
FH018LA	Hinge Plate Light Anodised	\$126.25
FHX019	Extendable Handle inner tube	\$103.95
FHX020A	Brake Housing End Plate	\$10.05
FHX020B	Brake Housing End Plate	\$9.55
FHX025	Extension Sleeve	\$37.10
FHX026	Locating Pin	\$19.10
FHX027	Extension Lever	\$9.55
FHX029	Brake Washer	\$58.35
FHX030	Steel Pin 4 x 50	\$6.35
FHX033	Brake Spring SS	\$3.90
FHX035	Extension Stop	\$9.55
FHX036	WC Dowel Pin 3/32 x 1/4"	\$6.90
FHX037	Spring Pin M5 x 20 SS	\$4.00

Code	Description	\$ ea Exc
FHX038	Spring Pin .25 x .75 SS	\$4.05
AT021	8-32 x 10mm Fillister Hd Screw	\$0.53
AT052	4-40 x 5/16 Flt. Hd. Screw	\$0.32
AT100	Spring	\$3.55
CR009	1/4-20 Thin Nylock	\$1.48
F029	10-32 x 1" Soc Hd Cap Screw	\$1.59
F051	#10 Lock Washer	\$0.32



## SUPERLITE FLAT BOX HANDLES

### FHSL

Spare Parts Diagram



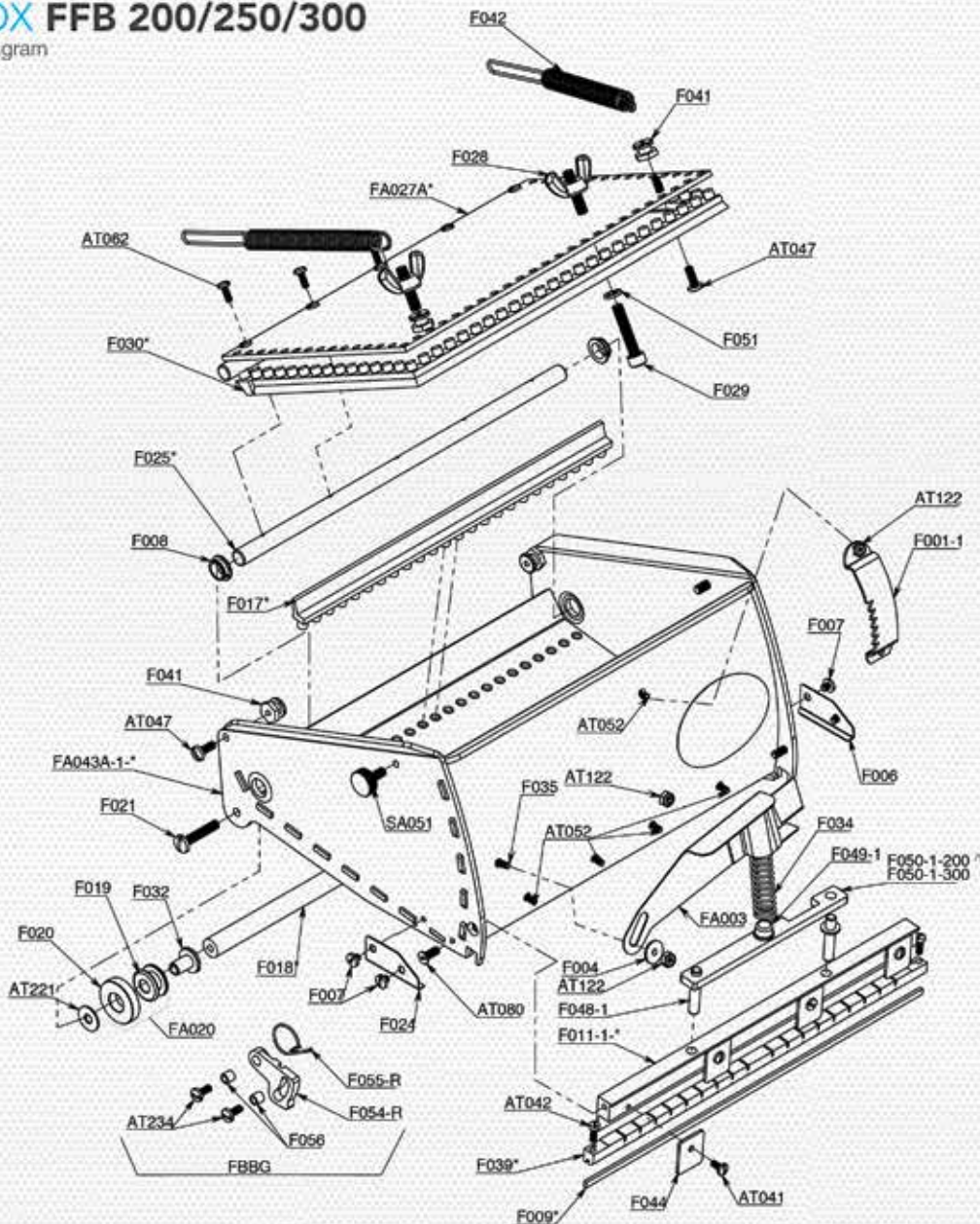
#### SUPERLITE FLAT BOX HANDLES SPARE PARTS

Code	Description	\$ ea Exc	Code	Description	\$ ea Exc
FH001	Connector Plate	\$82.85	FH011-900	Handle Connector Strap 900mm	\$26.10
FH002L	Hinge Tube Light	\$75.75	FH011-1200	Handle Connector Strap 1200mm	\$28.20
FH003	1/4"-28 x 3/8" Set Screw Cup Pt	\$2.25	FH012L	Sleeve	\$126.10
FH004L	Pivot Pin Light	\$35.35	FHX038	Spring Pin .25 x .75 SS	\$4.05
FH005	Locking Cam	\$31.10	FH016	8-32 x 3/4 Oval Hd. Screw	\$0.95
FH007	Retainer	\$26.30	FH018L	Hinge Plate Light	\$126.25
FH008	8-32 x 5/8" B.H. Screw	\$0.85	AT021	8-32 x 7/16" Fillister Hd Screw	\$0.53
FH009	Flat Box Handle Grip	\$69.00	F029	10-32 x 1" Soc Hd Cap Screw	\$1.59
FH010-900CF	Carbon Fibre Tube 28 x 787mm	\$143.95	F051	#10 Lock Washer	\$0.32
FH010-1200CF	Carbon Fibre Tube 28 x 1092mm	\$195.95			

Use only genuine Tapepro parts on Tapepro Drywall Tools. Using other brands parts on a Tapepro tool may affect the operation of the product and void warranty.

# FLAT BOX FFB 200/250/300

Spare Parts Diagram



^Use F050-1-200 for 200 and 250

## ■ TAPEPRO FLAT BOX SPARE PARTS

Code	Description	\$ ea Exc	Code	Description	\$ ea Exc
F001-1	Ratchet	\$17.45	F017-200	Axle Wiper 200mm	\$26.00
FA003	Lever Assembly	\$28.35	F017-250	Axle Wiper 250mm	\$27.50
F004	Flanged Bushing	\$5.45	F017-300	Axle Wiper 300mm	\$29.15
F006	Skid	\$4.75	F018-200	Wheel Axle 200mm	\$34.25
F007	5-40 x 1/8" B.H. Screw	\$0.95	F018-250	Wheel Axle 250mm	\$35.85
F008	Nyliner	\$7.05	F018-300	Wheel Axle 300mm	\$37.59
F009-200	Blade 200mm	\$5.60	F019	Wheel	\$7.65
F009-250	Blade 250mm	\$5.90	F020	Tyre	\$9.55
F009-300	Blade 300mm	\$6.20	FA020	Tyre & Wheel Assembly	\$14.05
F011-1-200	Blade Holder Retainer 200mm	\$132.65	F021	8-32 x 7/8 B.H. Screw	\$0.85
F011-1-250	Blade Holder Retainer 250mm	\$139.30	F024	Skid	\$4.75
F011-1-300	Blade Holder Retainer 300mm	\$155.85	F025-200	Axle Pressure Plate 200mm	\$35.05

Use only genuine Tapeepro parts on Tapeepro Drywall Tools. Using other brands parts on a Tapeepro tool may affect the operation of the product and void warranty.

# AUTOMATIC TAPING TOOLS

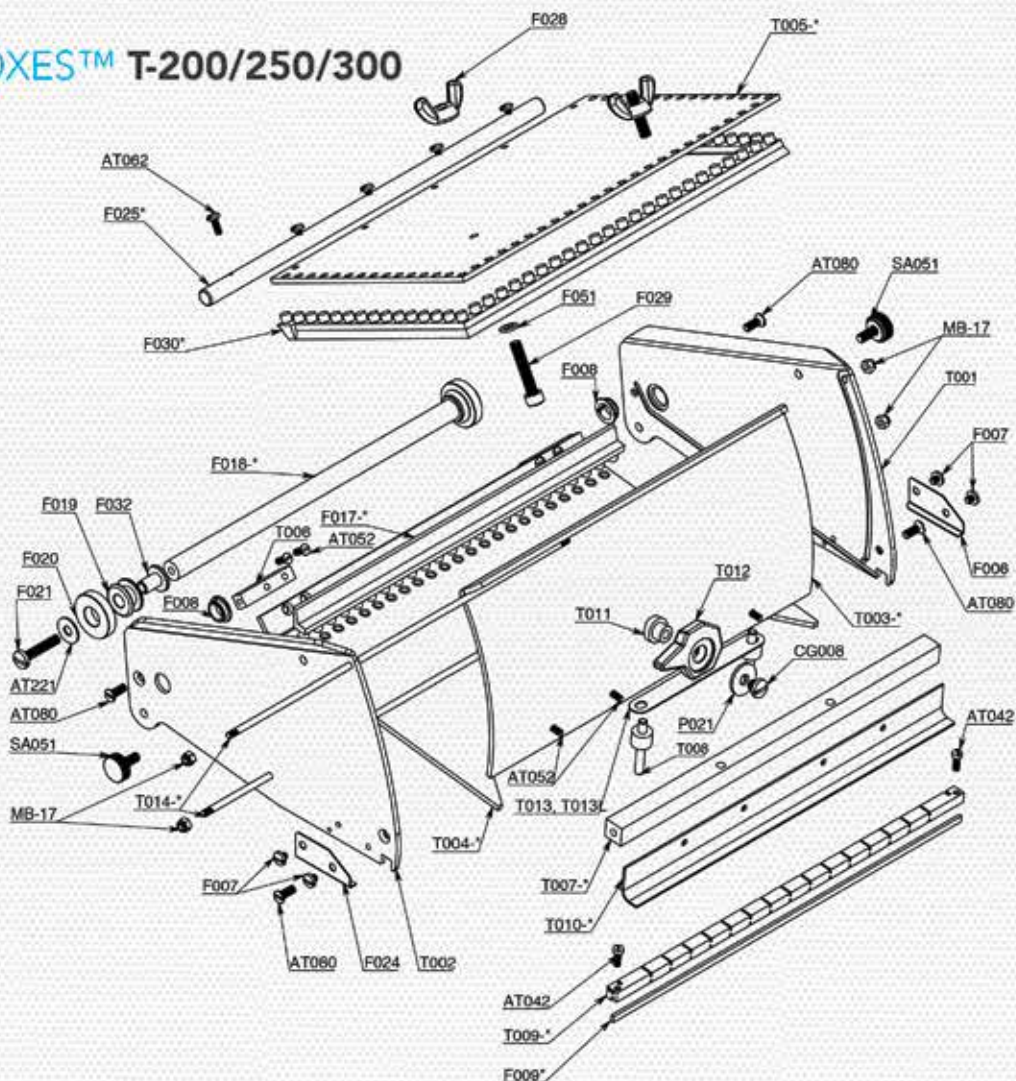
## TAPEPRO FLAT BOX SPARE PARTS.....cont

Code	Description	\$ ea Exc	Code	Description	\$ ea Exc
F025-250	Axle Pressure Plate 250mm	\$41.40	F051	#10 Lock Washer	\$0.32
F025-300	Axle Pressure Plate 300mm	\$49.45	AT041	4-40 x 1/4 B.H. Screw	\$0.69
F027-200A	Pressure Plate 200mm Anodised	\$75.35	AT042	4-40 x 5/16 Fillister Hd	\$0.69
F027-250A	Pressure Plate 250mm Anodised	\$92.80	AT047	6-32 x 3/8 B.H. Screw	\$0.32
F027-300A	Pressure Plate 300mm Anodised	\$109.95	AT052	4-40 x 5/16 FIL Hd. Screw	\$0.32
F028	10-32 Wing Nut	\$2.23	AT062	4-40 x 5/16 B.H. Screw	\$0.32
F029	10-32 x 1" Soc Hd Cap Screw	\$1.59	AT080	6-32 x 3/8 Fil. Hd. Screw	\$0.32
F030-200	Pressure Plate Wiper 200mm	\$79.70	AT122	4-40 Nylock	\$2.44
F030-250	Pressure Plate Wiper 250mm	\$82.85	AT221	#8 Flat Washer	\$0.37
F030-300	Pressure Plate Wiper 300mm	\$86.05	AT226	4-40 x 7/16 B.H. Screw	\$0.32
F032	Bushing	\$9.10	SA051	Thumb Screw	\$4.00
F034	Spring	\$3.55	F053	Self Clinching Nut	\$1.17
F035	4-40 x 3/8" Fil. Hd. Screw	\$0.32	F006-2PK	Flat Box Skids Left/Right	\$9.55
F039-200	Blade Holder 200mm	\$127.50	F007-4PK	Skid Screws 4 pack	\$3.85
F039-250	Blade Holder 250mm	\$133.90	F008-2PK	Flat Box Nyliner Set	\$14.15
F039-300	Blade Holder 300mm	\$143.45	F032-2PK	Wheel Bush 2 pack	\$17.15
F041	Spring Anchor	\$5.85	FA020-2PK	Flat Box Tyre & Wheel Set	\$28.15
F042	Pressure Plate Spring	\$14.25	SA051-2PK	Thumb Screw 2pkt Tapepro	\$8.00
FA043-200A	Flat Box Assembly 200mm Anodised	\$494.00	MK03-200	Flat Box Blades 200mm 3 pack	\$16.85
FA043-250A	Flat Box Assembly 250mm Anodised	\$537.10	MK03-250	Flat Box Blades 250mm 3 pack	\$17.70
FA043-300A	Flat Box Assembly 300mm Anodised	\$573.65	MK03-300	Flat Box Blades 300mm 3 pack	\$18.65
F044	Blade Holder Tab	\$2.85	MK06-200	Flat Box Blades 200mm 10 pack	\$50.00
F048-1	Actuator Pin	\$13.65	MK06-250	Flat Box Blades 250mm 10 pack	\$53.20
F049-1	Push Rod (Equaliser Bar)	\$12.80	MK06-300	Flat Box Blades 300mm 10 pack	\$56.80
F050-1-200	Equaliser Bar 200, 250mm	\$38.70			
F050-1-300	Equaliser Bar 300mm	\$41.40			

\* Please specify a size when ordering

## T2 FLAT BOXES™ T-200/250/300

Spare Parts Diagram



Use only genuine Tapepro parts on Tapepro Drywall Tools. Using other brands parts on a Tapepro tool may affect the operation of the product and void warranty.

**T2 FLAT BOX SPARE PARTS**

Code	Description	\$ ea Exc	Code	Description	\$ ea Exc
T001	Side Plate (Left)	\$72.10	F020	Tyre	\$9.55
T002	Side Plate (Right)	\$72.10	FA020	Tire & Wheel Assembly	\$14.05
T003-8	Radius Plate 200mm	\$36.35	F021	8-32 x 7/8 B.H. Screw	\$0.85
T003-10	Radius Plate 250mm	\$43.75	F024	Skid	\$4.75
T003-12	Radius Plate 300mm	\$48.10	F025-200	Axle Pressure Plate 200mm	\$35.05
T004-8	Bottom Plate 200mm	\$51.00	F025-250	Axle Pressure Plate 250mm	\$41.40
T004-10	Bottom Plate 250mm	\$58.30	F025-300	Axle Pressure Plate 300mm	\$49.45
T004-12	Bottom Plate 300mm	\$65.65	F027-200A	Pressure Plate 200mm Anodized	\$75.35
T005-8	Pressure Plate 200mm	\$43.95	F027-250A	Pressure Plate 250mm Anodized	\$92.80
T005-10	Pressure Plate 250mm	\$48.30	F027-300A	Pressure Plate 300mm Anodized	\$109.95
T005-12	Pressure Plate 300mm	\$55.55	F028	10-32 Wing Nut	\$2.23
T006	Brace	\$46.65	F029	10-32 x 1" Soc Hd Cap Screw	\$1.59
T007-8	Retainer 200mm	\$58.30	F030-200	Pressure Plate Wiper 200mm	\$79.70
T007-10	Retainer 250mm	\$65.65	F030-250	Pressure Plate Wiper 250mm	\$82.85
T007-12	Retainer 300mm	\$77.30	F030-300	Pressure Plate Wiper 300mm	\$86.05
T008	Push Rod	\$13.15	F032	Bushing	\$9.10
T009-8	Blade Holder 200mm	\$132.70	F051	#10 Lock Washer	\$0.32
T009-10	Blade Holder 250mm	\$144.05	F053	Self Clinching Nut	\$1.17
T009-12	Blade Holder 300mm	\$161.30	AT042	4-40 x 5/16 Fillister Hd	\$0.69
T010-8	Blade Holder Seal 200mm	\$11.70	AT052	4-40 x 5/16 Flt. Hd. Screw	\$0.32
T010-10	Blade Holder Seal 250mm	\$12.40	AT062	4-40 x 5/16 B.H. Screw	\$0.32
T010-12	Blade Holder Seal 300mm	\$13.15	AT080	6-32 x 3/8 Flt. Hd. Screw	\$0.32
T011	Cam Bush	\$8.80	AT120	4-40 x 1/4 Flt. Hd. Screw	\$0.32
T012	Cam	\$12.65	AT221	#6 Flat Washer	\$0.37
T013	Spring Flat Small	\$10.00	CG008	8-32 x 3-16 BH Screw	\$0.90
T013L	Spring Flat Large	\$12.20	MB-17	Nut M3 Stainless Steel Nylock	\$1.17
T014-8	Tie Rod 200mm	\$33.15	P021	Washer	\$3.10
T014-10	Tie Rod 250mm	\$34.35	SA051	Thumb Screw	\$4.00
T014-12	Tie Rod 300mm	\$35.35	F006-2PK	Flat Box Skids Left/Right	\$9.55
F006	Skid	\$4.75	F007-4PK	Skid Screws 4 pack	\$3.85
F007	5-40 x 1/8" B.H. Screw	\$0.95	F008-2PK	Flat Box Nyliner Set	\$14.15
F008	Nyliner	\$7.05	F032-2PK	Wheel Bush 2 pack	\$17.15
F009-200	Blade 200mm	\$5.60	FA020-2PK	Flat Box Tire & Wheel Set	\$28.15
F009-250	Blade 250mm	\$5.90	SA051-2PK	Thumb Screw 2 pack	\$8.00
F009-300	Blade 300mm	\$6.20	MK03-200	Flat Box Blade 200mm 3 pack	\$16.85
F017-200	Axle Wiper 200mm	\$26.00	MK03-250	Flat Box Blade 250mm 3 pack	\$17.70
F017-250	Axle Wiper 250mm	\$27.50	MK03-300	Flat Box Blade 300mm 3 pack	\$18.65
F017-300	Axle Wiper 300mm	\$29.15	MK06-200	Flat Box Blade 200mm 10 pack	\$50.00
F018-200	Wheel Axle 200mm	\$34.25	MK06-250	Flat Box Blade 250mm 10 pack	\$53.30
F018-250	Wheel Axle 250mm	\$35.85	MK06-300	Flat Box Blade 300mm 10 pack	\$56.80
F018-300	Wheel Axle 300mm	\$37.59			
F019	Wheel	\$7.65			

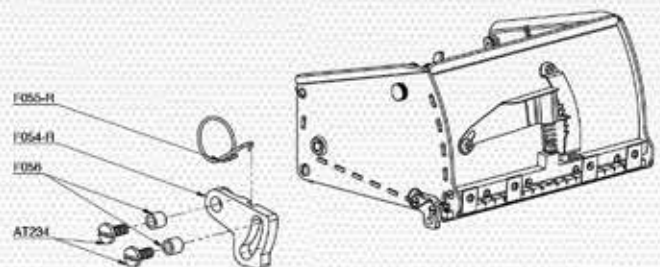
\* Please specify a size when ordering

**FLAT BOX BEAD GUIDES FBBG**

Spare Parts Diagram

**FLAT BOX BEAD GUIDES SPARE PARTS**

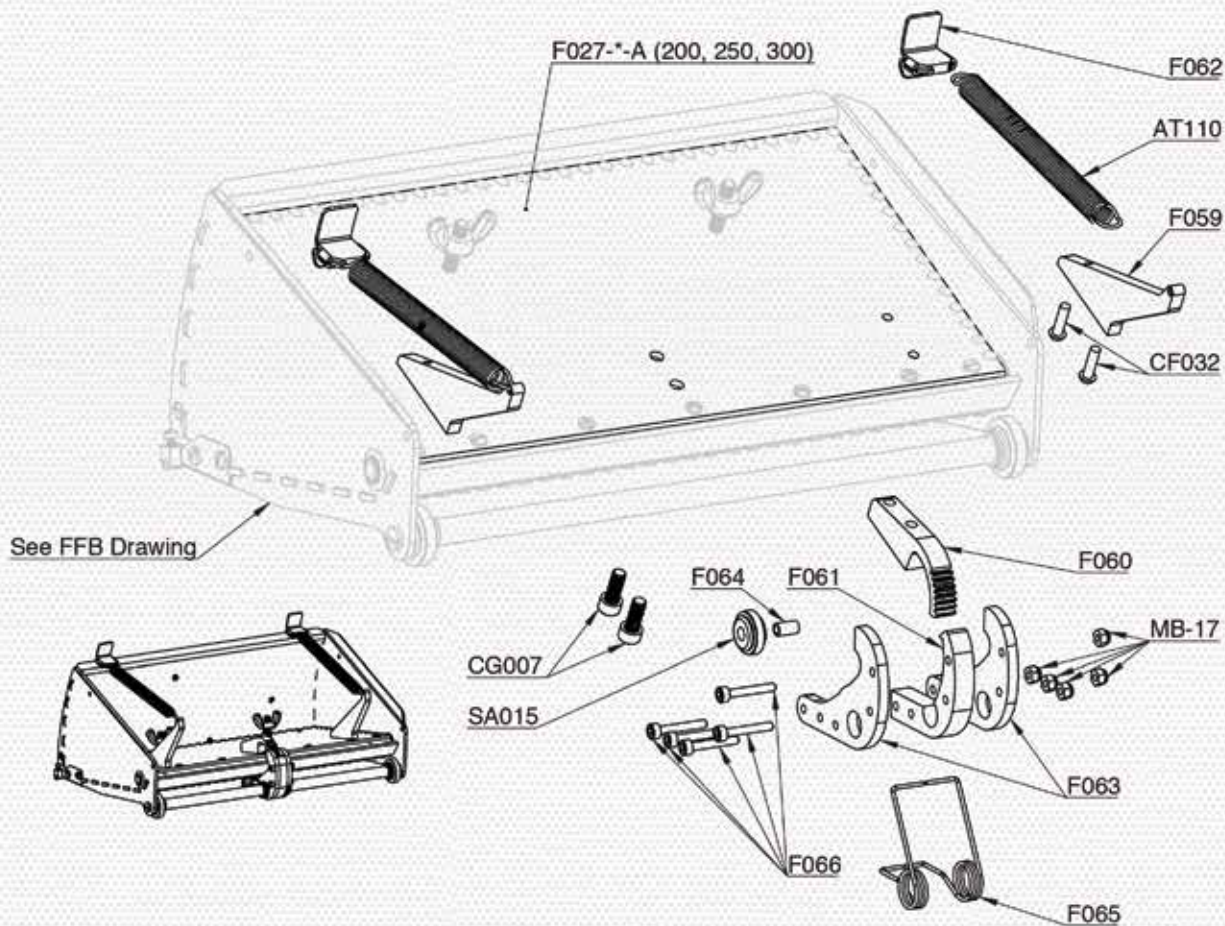
Code	Description	\$ ea Exc
F054L	Flat Box Bead Guide - Left	\$33.70
F054R	Flat Box Bead Guide - Right	\$33.70
F055L	Bead Guide Spring - Left	\$10.00
F055R	Bead Guide Spring - Right	\$10.00
F056	Bead Guide Bush	\$6.75





## BOOSTER® AUTOMATIC FLAT BOX AB-200/250/300

Spare Parts Diagram



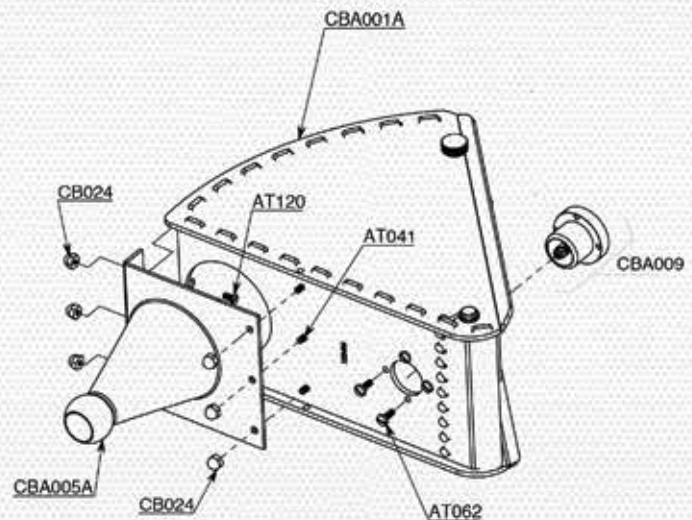
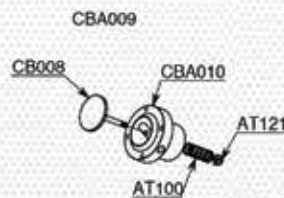
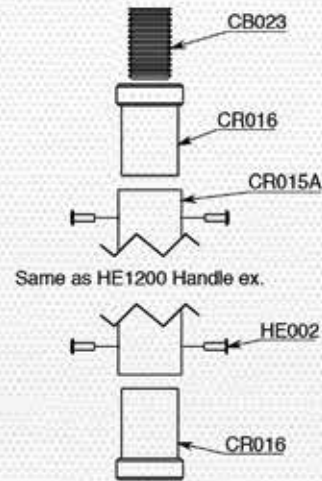
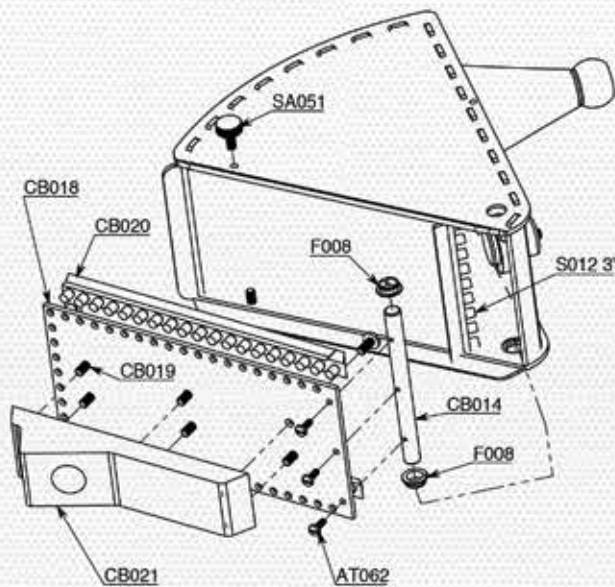
### BOOSTER AUTOMATIC FLAT BOX SPARE PARTS

Code	Description	\$ ea Exc	Code	Description	\$ ea Exc
AT110	Pressure Plate Spring	\$10.90	F065	Torsion Spring	\$11.45
F059	Spring Hanger	\$16.55	F066	M3 x 20 SHCS SS	\$1.17
F060	Arc	\$24.20	S014	Wheel	\$6.35
F061	Pawl	\$24.20	S015	Tyre	\$8.60
F062	Spring Hook	\$11.45	SA015	Tyre and Wheel Assembly	\$14.70
F063	Side Plate	\$11.15	* Please specify a size when ordering		
F064	Wheel Bush	\$4.15			

Use only genuine Tapepro parts on Tapepro Drywall Tools. Using other brands parts on a Tapepro tool may affect the operation of the product and void warranty.

# CORNER BOX CA-H

Spare Parts Diagram



## TAPEPRO CORNER BOX SPARE PARTS

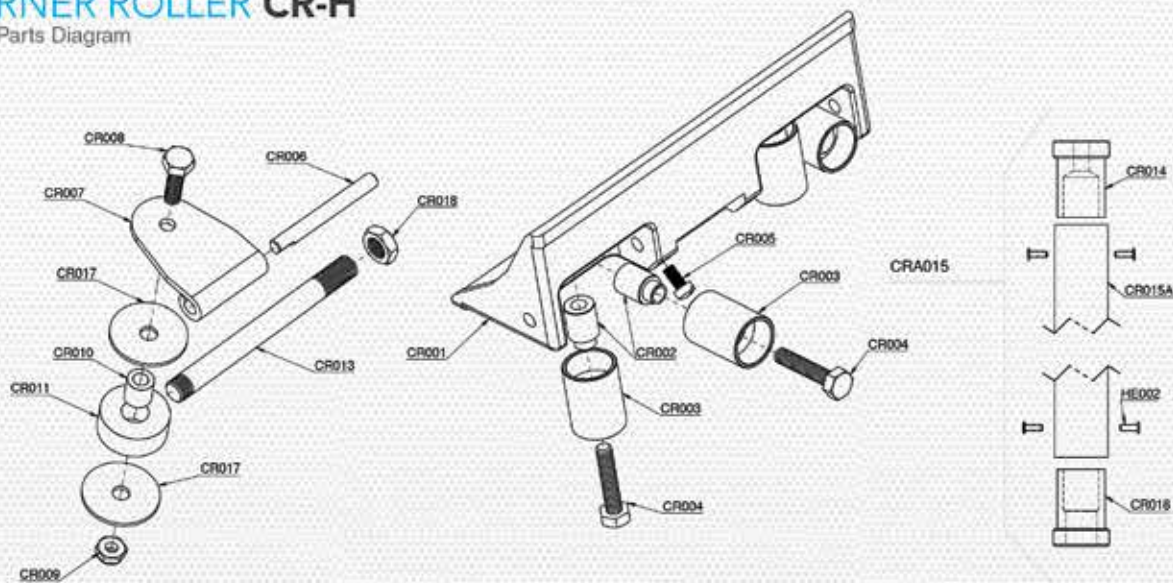
Code	Description	\$ ea Exc	Code	Description	\$ ea Exc
CBH	Corner Box Head Assembly	\$553.60	AT041	4-40 x 1/4 B.H. Screw	\$0.69
CBA001A	Box Assembly	\$374.30	AT062	4-40 x 5/16 B.H. Screw	\$0.32
CBA005	Cone Assembly Stainless Steel	\$209.25	AT100	Spring	\$3.55
CBA005A	Cone Assembly Stainless Steel (without bend)	\$209.25	AT120	4-40 x 1/4 Fil. Hd. Screw	\$0.32
CB008	Filler Valve	\$18.20	AT121	3-48 Nylock	\$2.44
CBA009	Filler Body Assembly	\$83.60	CF031	Swivel	\$6.75
CB014	Axle	\$28.00	CRA015A	Handle Tube Only	\$132.65
CB018	Pressure Plate	\$44.55	CR016	Handle End	\$27.50
CB019	Screw	\$0.53	F008	Nyliner	\$7.05
CB020	Pressure Plate Wiper	\$55.25	SA051	Thumb Screw	\$4.00
CB021	Handle Bracket	\$221.70	SA051-2pk	Thumb Screw 2pkt Tapepro	\$8.00
CB023	Stud	\$27.25	S012-75	Axle Wiper 75mm	\$19.95
CB024	4-40 Cap Nut	\$1.64	XH023	Corner Box Adaptor Stud	\$19.10

Use only genuine Tapepro parts on Tapepro Drywall Tools. Using other brands parts on a Tapepro tool may affect the operation of the product and void warranty.



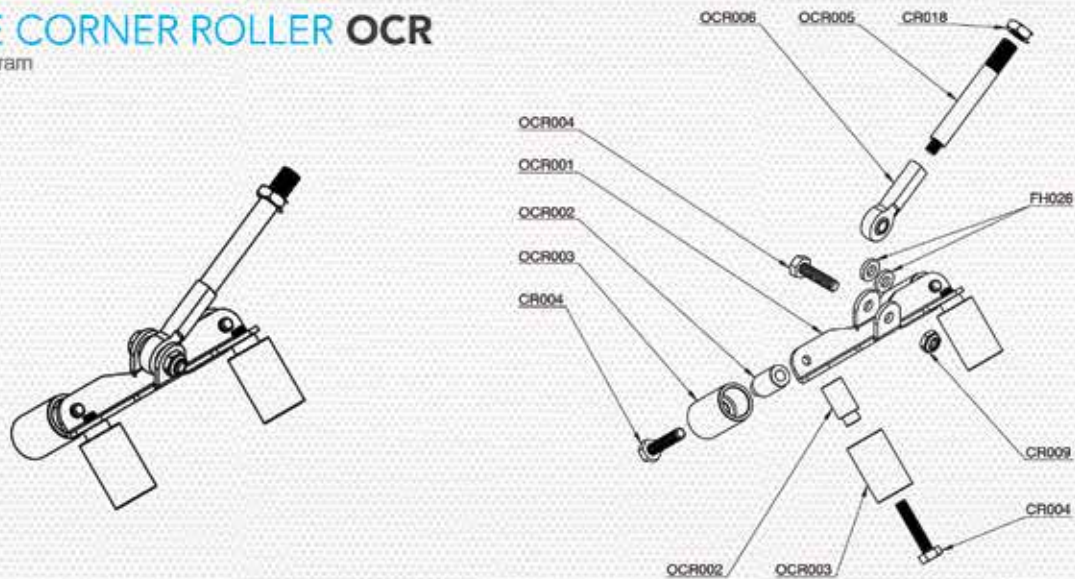
## CORNER ROLLER CR-H

Spare Parts Diagram



## OUTSIDE CORNER ROLLER OCR

Spare Parts Diagram



### TAPEPRO CORNER ROLLER SPARE PARTS

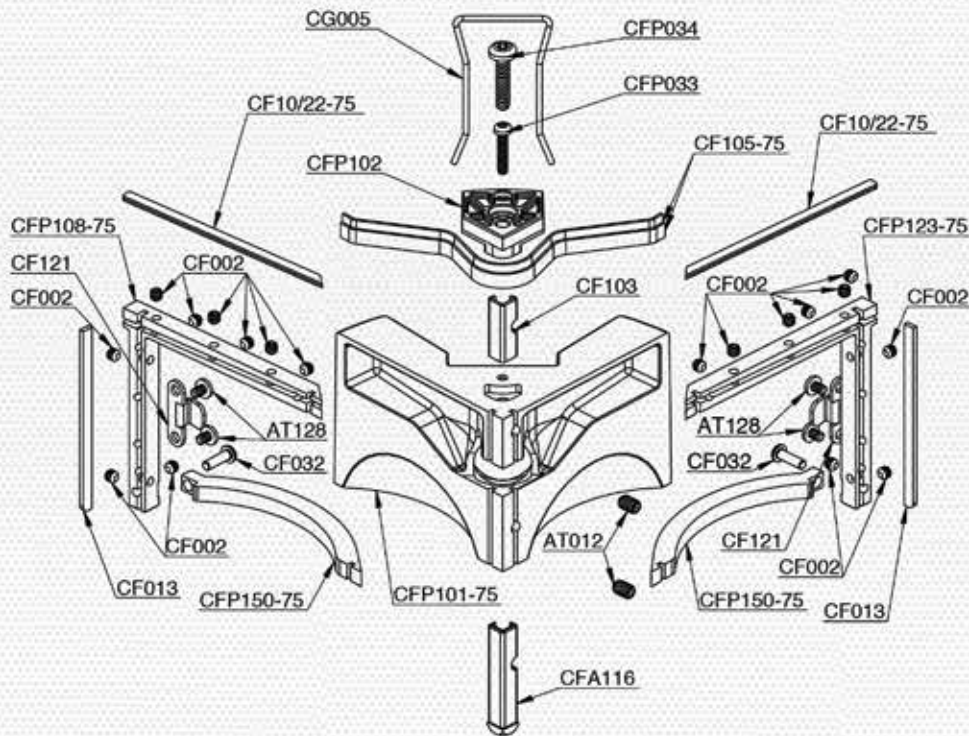
Code	Description	\$ ea Exc	Code	Description	\$ ea Exc
CR001	Corner Roller Head Only	\$215.45	CR015A	Handle Tube Only	\$132.65
CRA001	Corner Roller Head Assembly	\$331.45	CRA015	Corner Roller Handle	\$149.10
CR002	Bushing	\$6.35	CR016	Handle End	\$27.50
CR003	Roller Stainless Steel	\$29.95	CR017	Washer	\$7.05
CR004	1/4"-20 x 1-1/4" Hex Head Screw	\$1.48	CR018	3/8"-24 Low Profile Hex Nut	\$1.48
CR005	10-32 x 3/8" Fillister Hd. Screw	\$0.85	OCR		
CR006	Swivel Pin	\$17.45	OCR001	Outside Corner Roller Head	\$32.15
CR007	Swivel Post	\$31.60	OCR002	Stainless Steel Bushing	\$7.95
CR008	1/4" - 20 x 7/8" head screw	\$1.96	OCR004	1/4-20 x 1 Hex hd Screw	\$1.48
CR009	1/4-20 Thin Nylock	\$1.48	OCR005	SS Rod	\$15.90
CR010	Bushing	\$9.30	OCR006	1/4 Female Rod End	\$37.10
CR011	Adaptor	\$27.10	FH026	Acetal Washer	\$3.65
CR013	Shaft Stainless Steel	\$18.50			
CR014	Handle End	\$27.50			

\* For CR-XH / OCR-XH please see XH diagram

Use only genuine TapePro parts on TapePro Drywall Tools. Using other brands parts on a TapePro tool may affect the operation of the product and void warranty.

## CORNER FINISHER PLASTIC 75MM CFP-75

Spare Parts Diagram



### TAPEPRO CORNER FINISHER SPARE PARTS

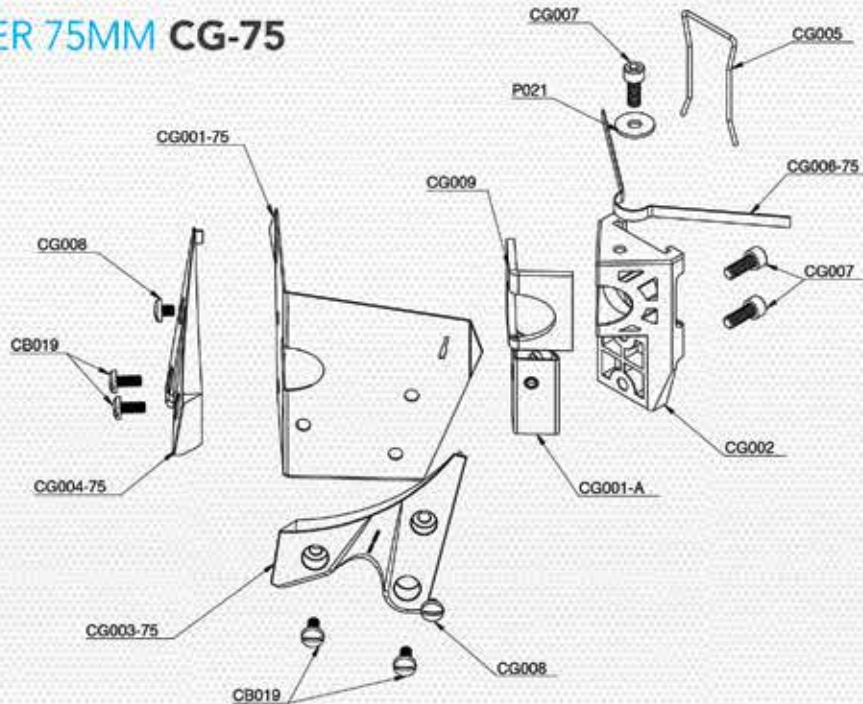
Code	Description	\$ ea Exc	Code	Description	\$ ea Exc
CF002	6-32 x 1/8" Socket Set Flat.Pt	\$1.80	CFP108-75	CFP-75 Right Frame	\$159.10
CF10/22-75	Carbide Blade 75mm	\$70.10	CFP123-75	CFP-75 Left Frame	\$159.10
CF013	Skid	\$6.75	CFP150-75	CFP-75 Frame Lower Bar	\$42.40
CF103	Corner Finisher Upper Clip	\$6.75	CFP033	3mm PT Screw	\$1.27
CF105-75	Spring 75mm (Fits all Corner Finishers)	\$7.05	CFP034	4mm PT Screw	\$1.27
CF121	Frame Stop	\$11.50	CF032	6-32 x 3/8 SHCS SS	\$1.96
CFA116	Lower Clip Assembly	\$23.30	CG005	Spring Retainer	\$18.60
AT012	8-32 x 1/4 Set Screw Cut Pt	\$1.96	CFA024	Ball Shaft	\$51.50
AT128	4-40 x 5/32 BH Screw	\$0.97	CRA015	Handle	\$149.10
CFP101-75	Corner Finisher Head - 75mm	\$222.70	CR016	Handle End	\$27.50
CFP102	Corner Finisher Top Piece	\$37.10			

\* Please specify a size when ordering. \* For CF-XH please see XH diagram.

Use only genuine Tapepro parts on Tapepro Drywall Tools. Using other brands parts on a Tapepro tool may affect the operation of the product and void warranty.

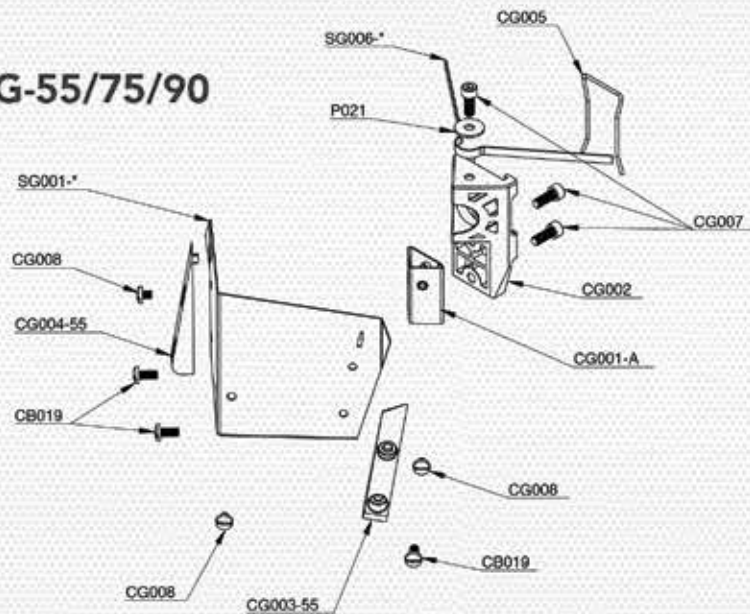
## CORNER GLAZER 75MM CG-75

Spare Parts Diagram



## STRAIGHT GLAZER 75MM SG-55/75/90

Spare Parts Diagram



### ■ TAPEPRO CORNER GLAZER SPARE PARTS

Code	Description	\$ ea Exc
CG001-75	Corner Glazer Head 75mm	\$81.50
CG001-A	Brace	\$53.40
CG002	Ball Socket Block	\$83.75
CG003-75	Corner Glazer Skid Right	\$28.00
CG004-75	Corner Glazer Skid Left	\$28.00
CG005	Corner Glazer Spring Retainer	\$18.60
CG006-75	Flat Spring 75mm Corner Glazer	\$44.86
CG007	10-32 x 1/2 Soc Hd Cap Screw Stainless Steel	\$2.01
CG008	8-32 x 3-16 BH Screw	\$0.90
CG009	Gasket	\$3.50
CB019	Screw	\$0.53
P021	Washer	\$3.10

\* Please specify a size when ordering

### ■ TAPEPRO STRAIGHT GLAZER SPARE PARTS

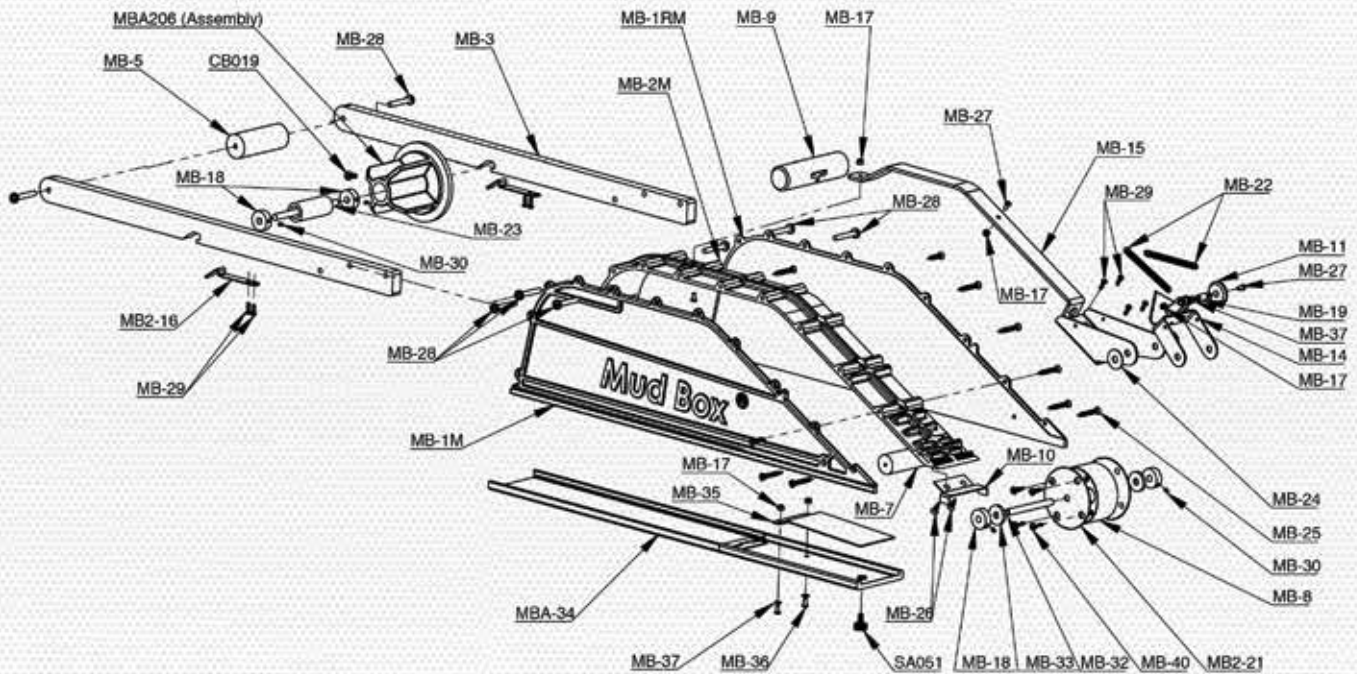
Code	Description	\$ ea Exc
CG001-55	Glazer Head 55mm	\$73.65
SG001-75	Glazer Head 75mm	\$77.60
SG001-90	Glazer Head 90mm	\$80.95
CG001-A	Brace	\$53.40
CG002	Ball Socket Block	\$83.75
CG003-55	Glazer Skid Right	\$20.20
CG004-55	Glazer Skid Left	\$20.20
CG005	Glazer Spring Retainer	\$18.60
CG006	Flat Spring 55mm	\$43.25
CG006-75	Flat Spring 75mm	\$44.86
SG006-90	Flat Spring 90mm	\$47.80
CG007	10-32 x 1/2 Soc Hd Cap Screw Stainless Steel	\$2.01
CG008	8-32 x 3-16 BH Screw	\$0.90
CB019	Screw	\$0.53
P021	Washer	\$3.10

\* Please specify a size when ordering

Use only genuine Tapepro parts on Tapepro Drywall Tools. Using other brands parts on a Tapepro tool may affect the operation of the product and void warranty.

## MUD BOX WMB-L

Spare Parts Diagram



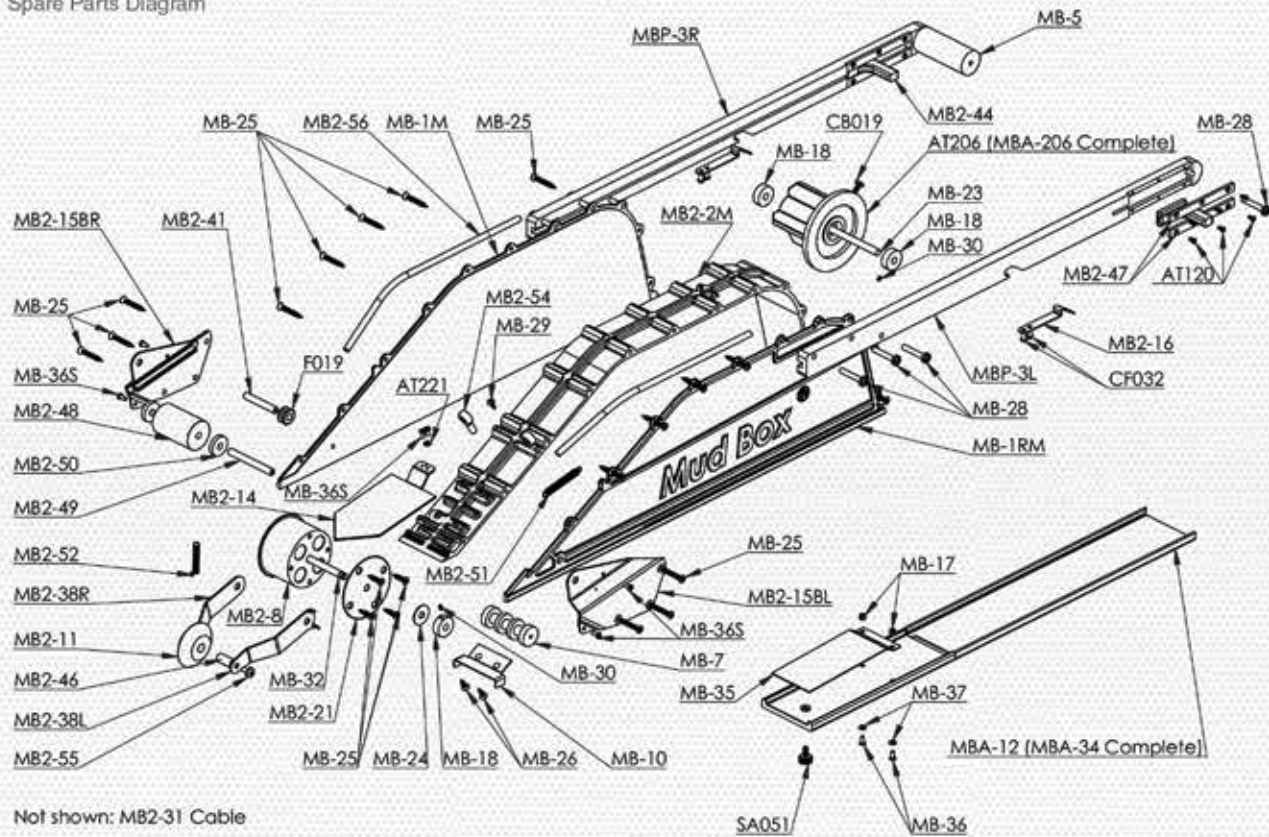
### TAPEPRO MUD BOX SPARE PARTS

Code	Description	\$ ea Exc	Code	Description	\$ ea Exc
MB-1M	Side Plate Left - Moulded	\$153.45	MB-23	Round Bar Stainless Steel 90mm Long	\$11.80
MB-1-RM	Side Plate Right - Moulded	\$153.45	MB-24	Washer Stainless Steel 1/4 x 3/4	\$1.17
MB-2M	Top Plate - Moulded	\$153.45	MB-25	Screw C.S 6g x 3/4 Stainless Steel	\$1.80
MB-3	Tape Arm	\$37.75	MB-26	Screw CS 3/8 Stainless Steel	\$1.17
MB-4	End Plate	\$94.45	MB-27	Screw P.H. M3 x 16	\$1.17
MB-5	Tape Arm Spacer	\$23.60	MB-28	Screw P.H. 1 1/4	\$2.40
MB-6	Tape Spool (old style)	\$31.85	MB-29	Screw P.H. 6g x 3/8 Stainless Steel	\$1.17
MB-7	Mud Retainer	\$23.60	MB-30	Grub Screw M4 x 6 Stainless Steel	\$1.17
MB-8	Tape Wheel Spacer	\$42.45	MBA-31	Wire Cable Stainless Steel with 2 clamps	\$7.10
MB-9	Handle	\$77.20	MB-32	Round Bar 66mm Long Stainless Steel	\$11.80
MB-10	Tape Guide	\$16.55	MB-33	Washer 3/4" Stainless Steel	\$6.25
MB-11	Creaser Wheel	\$14.15	MBA-34	Top Cover Plate Assembly Complete	\$136.35
MB-14	Cutter	\$59.05	MB-35	Mud Adjuster Plate	\$49.50
MB-15	Hand Slide	\$88.55	MB-36	M3 x 10 Pan Screw Stainless Steel	\$1.17
MB-16	Tape Spool Retainer (old style)	\$21.90	MB-37	M3x7x.05 Flat Round Washer	\$1.17
MB2-16	Mud Box Pro Tape Spool Spring	\$23.60	MBA-12	Lid Assembly with Hinge	\$86.85
MB-17	Nut M3 Stainless Steel Nylock	\$1.17	MBA-206	Tape Spool Assembly	\$51.70
MB-18	Tape Spool Spacer	\$9.45	SA051	Thumb Screw	\$4.00
MB-19	Creaser Wheel Shaft	\$7.10	MB-18-2PK	Tape Spool Spacer Set	\$21.20
MB2-21	Tape Wheel	\$16.85	MB-22-2PK	Tension Spring 2 pack	\$14.25
MB-22	Tension Spring Stainless Steel	\$7.10	SA051-2pk	Thumb Screw 2pkt Tapepro	\$8.00

Use only genuine Tapepro parts on Tapepro Drywall Tools. Using other brands parts on a Tapepro tool may affect the operation of the product and void warranty.

# MUD BOX PRO MBP

Spare Parts Diagram



Not shown: MB2-31 Cable

## TAPEPRO MUD BOX PRO SPARE PARTS

Code	Description	\$ ea Exc	Code	Description	\$ ea Exc
MB-1M	Side Plate Left - Moulded	\$153.45	MB2-31	Mud Box Pro control cable 1.6mm 7x19	\$12.85
MB-1-RM	Side Plate Right - Moulded	\$153.45	MB2-38L	Creaser Arm Left	\$16.30
MB-5	Tape Arm Spacer	\$23.60	MB2-38R	Creaser Arm Right	\$11.55
MB-7	Mud Retainer	\$23.60	MB2-41	Axle	\$10.00
MB-10	Tape Guide	\$16.55	MB2-44	Control Handle	\$64.35
MB-17	Nut M3 SS Nyloc	\$1.17	MB2-46	Creaser Wheel Bush	\$12.75
MB-18	Tape Spool Spacer	\$9.45	MB2-47	Arm Cover Plate	\$16.30
MB-23	Round Bar S/S 90mm long	\$11.80	MB2-48	Feed Roller	\$23.60
MB-24	Washer S/S 1/4 x 3/4	\$1.17	MB2-49	Feed Roller Axle	\$10.45
MB-25	Screw CS 6g x 3/4 SS	\$1.80	MB2-50	Roller Spacer	\$10.45
MB-26	Screw CS 3/8 SS	\$1.17	MB2-51	Cutter Spring	\$6.05
MB-28	Screw P.H. 10g x 1-1/4 SS	\$2.40	MB2-52	Creaser Spring	\$9.35
MB-29	Screw P.H. 6g x 3/8 SS	\$1.17	MB2-54	Eye Bolt M6x12	\$7.30
MB-30	Grub Screw M4 x 6 SS	\$1.17	MB2-55	M5x8SS Phillips Pan Head Screw	\$1.86
MB-32	1/4 Round Bar 63mm long s/s	\$11.80	MBA-12	Lid Assembly with Hinge	\$86.85
MB-35	Mud Flow Adjuster	\$49.50	MBP-3L	Mud Box Pro Tape arm - left	\$134.90
MB-36	M3 x 10 Pan Screw SS	\$1.17	MBP-3R	Mud Box Pro Tape arm - right	\$134.90
MB-37	M3X7.0X.05 Flat Round S/S Washer	\$1.17	AT 120	4-40 x 1/4 FIL Hd. Screw	\$0.32
MB2-2M	Top Plate - moulded	\$153.45	AT206	Tape Spool	\$18.65
MB2-8	Mud Box Pro Tape Wheel Spacer	\$43.65	AT221	#8 Flat Washer	\$0.37
MB2-11	Mud Box Pro Creaser Wheel	\$21.15	CB019	8-32 x 3/8 Corner Box Screw	\$0.53
MB2-14	Mud Box Pro Cutter	\$34.05	CF032	6-32 x 3/8 hex socket cap screw, SS	\$1.96
MB2-15BL	Mud Box Pro Support - left	\$68.95	F019	Wheel	\$1.64
MB2-15BR	Mud Box Pro Support - Right	\$68.95	SA051	Thumb Screw	\$4.00
MB2-16	Mud Box Pro Tape Spool Spring	\$23.60	MB-18-2PK	Tape Spool Spacer Set	\$21.20
MB2-21	Mud Box Pro Tape Wheel	\$16.85	SA051-2pk	Thumb Screw 2pkt Tapepro	\$8.00

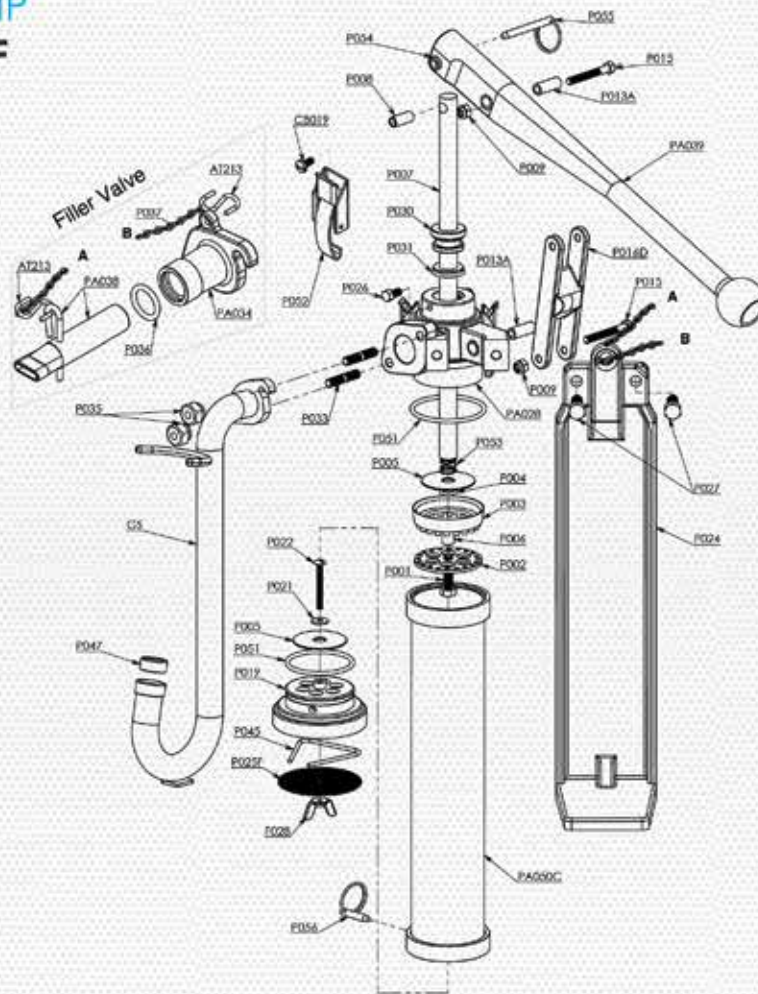
Use only genuine Tapepro parts on Tapepro Drywall Tools. Using other brands parts on a Tapepro tool may affect the operation of the product and void warranty.



## LOADING PUMP

### LP-EZ, GS, FBF

Spare Parts Diagram



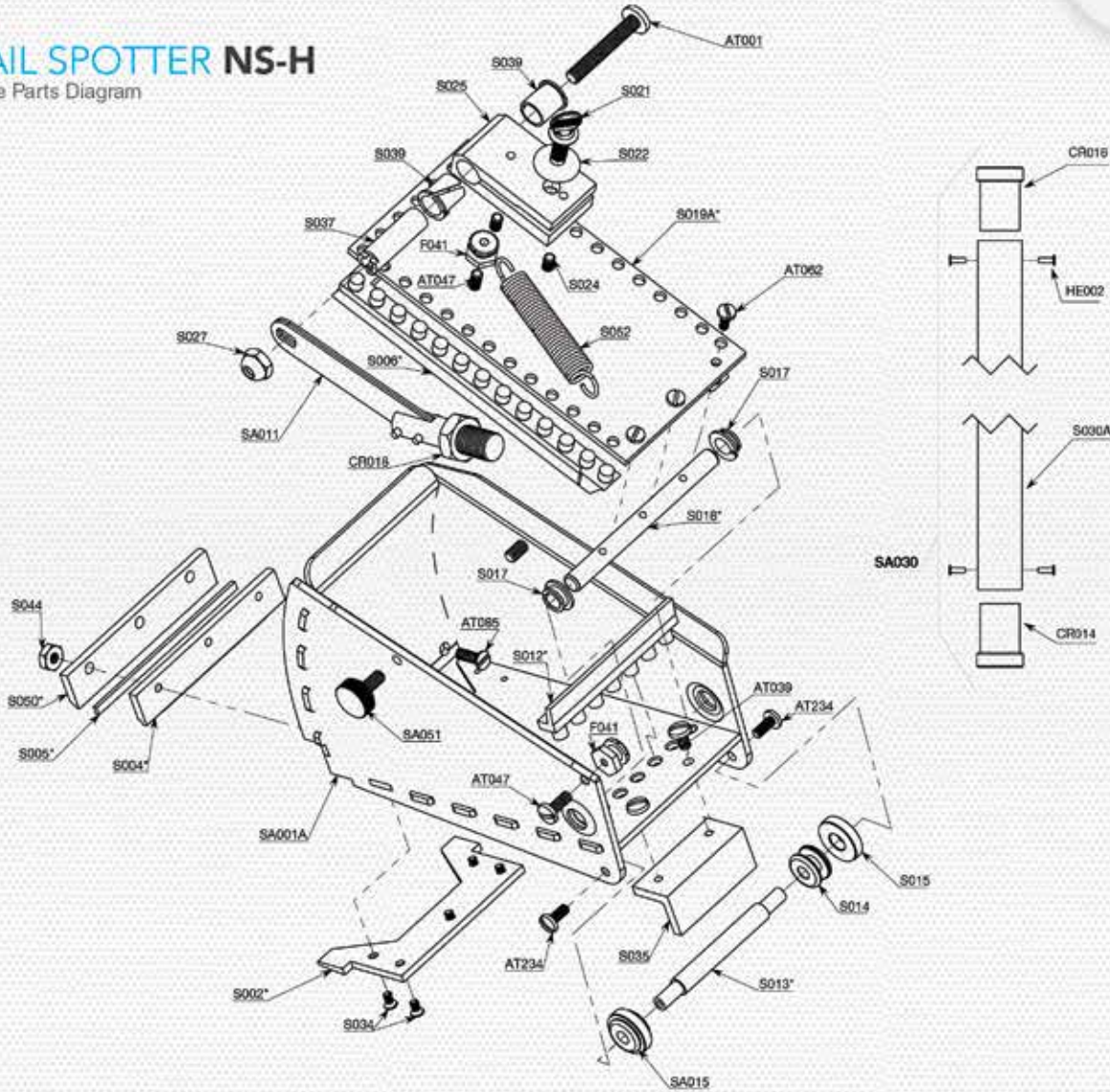
#### TAPEPRO LOADING PUMP SPARE PARTS

Code	Description	\$ ea Exc	Code	Description	\$ ea Exc
P001	5/16-24 X 1 1/4 Hex Hd. Screw	\$2.55	P030	Plastic Bushing	\$17.45
P002	Piston Disc	\$22.90	P031	U Cup	\$9.55
P003	Piston Wiper	\$39.90	P032	5/16-24 Low Pro Hex Nut	\$1.01
P004	O Ring Piston	\$1.80	P033	Stud	\$9.30
P005	Valve Disc	\$7.05	PA034	Filler Housing, Bushing and *S* Hook	\$114.50
P006	Spacer	\$10.40	P035	Special Nut	\$15.95
P007	Piston Rod	\$78.05	P036	O Ring	\$1.59
P008	Bushing	\$7.05	P037	Stainless Steel Wire Rope	\$7.05
P009	1/4-28 Nylock	\$1.27	PA038	Mud Outlet with Pin 90mm	\$69.85
P010	1/4 - 28 x 1-1/2 Hex Hd. Screw (old style)	\$1.01	PA039	Handle Assembly Cast	\$110.20
PA011C	Handle Assembly (old style)	\$130.70	PA039C	Ball with Handle Assembly	\$170.50
P012	1/4-28 x 2-1/2 Hex Hd. (old style)	\$2.40	P041	1/4 x 2 Detent Ring Pin	\$7.30
P013	Bushing	\$10.75	P045	Screen Support	\$5.90
P013A	Head Bushing Short	\$9.20	P047	Seat	\$12.25
P015	1/4-20 x 2 Hex Hd. Screw	\$1.01	PA050C	Speed Pump Tube	\$136.10
P016C	Link (old style - two legs)	\$23.90	P051	O Ring	\$4.15
P016S	Link Assembly Stainless Steel (old style)	\$49.00	P052	Stainless Steel Clamp	\$56.10
P016D	Link Assembly Die Cast	\$38.90	P053	Loading Pump Valve Spring	\$3.92
P019	Foot Valve	\$72.15	P054	Pump Handle Bush	\$3.92
P021	Washer	\$3.10	P055	1/4" x 1.5" Detent Ring Pin SS	\$9.30
P022	10-32 x 44mm B.H. Screw	\$1.59	P056	1/4" x 3/4" Detent Ring Pin SS	\$7.15
P024	Leg	\$149.00	AT213	S Hook	\$1.80
P025F	Screen - Fine	\$16.75	CB019	Screw	\$0.53
P026	1/4-28 x 1/2 Hex Hd. Screw	\$1.27	CR009	1/4-20 Thin Nylock	\$1.48
P027	3/8-16 x 1 Hex Hd. Screw	\$2.70	F028	10-32 Wing Nut	\$2.23
PA028	Pump Head	\$337.82			

Use only genuine Tapepro parts on Tapepro Drywall Tools. Using other brands parts on a Tapepro tool may affect the operation of the product and void warranty.

## NAIL SPOTTER NS-H

Spare Parts Diagram



### TAPEPRO NAIL SPOTTER SPARE PARTS

Code	Description	\$ ea Exc	Code	Description	\$ ea Exc
SH-50	Nail Spotter Head Assembly 55mm	\$491.00	SA015	Tyre and Wheel Assembly	\$14.70
SH-75	Nail Spotter Head Assembly 75mm	\$512.00	S017	Nyliner	\$3.55
SA001-50	Box Assembly 55mm	\$364.70	S018-50	Pressure Plate Axle 55mm	\$22.30
SA001-75	Box Assembly 75mm	\$381.25	S018-75	Pressure Plate Axle 75mm	\$22.30
S002-50	Orifice Plate 55mm	\$31.60	S019-50	Pressure Plate 55mm	\$28.55
S002-75	Orifice Plate 75mm	\$33.45	S019-75	Pressure Plate 75mm	\$31.75
S004-50	Blade Holder 55mm	\$60.10	S021	Thumb Screw	\$5.45
S004-75	Blade Holder 75mm	\$63.30	S022	Bell Washer	\$7.05
S005-50	Blade 55mm	\$38.25	S024	6-32 x 5/16 B.H. Screw	\$0.37
S005-75	Blade 75mm	\$43.25	S025	Post base	\$94.00
S006-50	Pressure Plate Wiper 55mm	\$26.00	S027	10-32 Thin Nylock	\$1.27
S006-75	Pressure Plate Wiper 75mm	\$29.15	S028	Handle Adaptor Stud	\$27.10
S009	Axle with Hole	\$22.90	SA030	Nail Spotter Handle	\$149.20
S010	Rivet	\$1.27	S034	3-48 x 5/16 Fit Hd Screw	\$0.32
S011	Leaf Spring	\$5.45	S035	Angle Bracket	\$21.55
SA011	Leaf Spring and Assembly	\$39.10	S037	Pivot Axle	\$24.90
S012-50	Axle Wiper 55mm	\$19.95	S039	Nyliner	\$3.55
S012-75	Axle Wiper 75mm	\$19.95	S044	* For CR-XH please see XH diagram	\$0.32
S013-50	Wheel Axle 55mm	\$20.90	S050-50	Blade Clamp 55mm	\$34.35
S013-75	Wheel Axle 75mm	\$24.05	S050-75	Blade Clamp 75mm	\$36.55
S014	Wheel	\$6.35	S052	Nail Spotter Spring	\$10.05
S015	Tyre	\$8.60			

\* Please specify a size when ordering. \* For NS-XH please see XH diagram

Use only genuine Tapepro parts on Tapepro Drywall Tools. Using other brands parts on a Tapepro tool may affect the operation of the product and void warranty.