



Hand Tools & Accessories



BIT TIPS & ACCESSORIES

DE.1045.2



BHM.075

IB.025.2



IB.825.2



ASC-123



Code

Barcode

Description

Size

Ctn

ea Exc

IB.025.2 9315778996037

Bit Tip No. 2 Single Ended 10pkt

25mm

10

\$6.35

IB.132.2 9315778996068

Bit Tip No. 2 Single Ended 4pkt

132mm

10

\$19.00

IB.150.2 9315778997102

Bit Tip No. 2 Single Ended 4pkt (for Wallpro Screwguns)

150mm

10

\$20.20

IB.425.2 9315778997256

Bit Tip No. 2 Single Ended USA 1pkt

25mm

100

\$1.80

DE.1045.2 9315778996044

Bit Tip No. 2 Double Ended 4pkt

6.5 x 45mm

10

\$6.90

IB.825.2 9315778990769

Depth Gauge No. 2 4pkt

5

\$10.50

BHM.075 9315778996051

Bit Tip Holder Magnetic 1pkt

6.5mm x 75mm

10

\$6.60

BOLT CUTTERS WALLBOARD

ASC-123



Code

Barcode



Size



Ctn



ea Exc

BC-350 9315778995399

350mm

6

\$31.40

BC-450 9315778995405

450mm

6

\$34.10



BC-450



7652

PAINT BRUSH

ASC-123



Code

Barcode



Size



Ctn



ea Exc

7652

9315778997218

25mm

12

\$4.60



62-008

BRUSHES TEXTURE WALLBOARD

ASC-123



Code

Barcode



Ctn



ea Exc

62-008

9315778998116

6

\$22.65

BUCKETS

ASC-123



Code

Barcode



Description



Size



Ctn



ea Exc

GP-942* 9310652203386

Gauge Pot

10 litre

12

\$8.00

PB-10-B 9315778990233

Blue Plastic Bucket with Lid

20 Litre

10

\$63.00

PB-5^ 9315778998543

Flexible Bucket

10 litre

25

\$6.60

N-73 9315778990585

Replacement Lid for PB-10-B

10

\$19.00

[^] Plastic Buckets 10L (PB-5) are packaged in cartons of 25 for transportation purposes
* Gauge Pots (GP-942) are ordered in multiples of 12 for transportation purposes

GP-942



PB-5



PB-10-B



N-73

WATCH ON



CART PLASTERBOARD

The Wallboard Tools Plasterboard Trolley speeds up the movement of sheeting on site. It is designed to move quantities of sheeting, paneling, plywood and other construction materials while reducing physical strain.

- Sturdy tubular design with welded steel construction
- One fixed & three swivel castors for optimal manoeuvrability
- "No mark" polyurethane castors
- Deck shape makes the cart easier to navigate in tight spaces, around corners and through door ways
- Deck size 1120mm (w) x 290mm (d)
- Dismantles to fit in the boot of most cars
- Carry sheets up to 3.6m in length
- Designed to carry loads up to 1350kgs



Load Rating
1350kg



Safety Certificate
Available



DC-1350

- ✓ Push cart from end of sheets
- ✓ Always keep lockable castor locked
- ✓ 2 person push when fully loaded
- ✗ Do not load sheets longer than 3.6m
- ✗ Do not stand beside sheets when moving

ABC-133
Code
DC-1350

Barcode
9315778998741

ea Exc
\$679.00



CARTRIDGE GUN BARREL

Code	Barcode	Description	Ctn	ea Exc
SV-670	9315778996266	Cartridge Gun	6	\$44.90
SV-NS	9315778999830	Small Nozzle 6pkt	5	\$6.60
SV-NL	9315778999823	Large Nozzle 6pkt	5	\$6.60



SV-670

SV-NL

SV-NS

COW-215

CARTRIDGE GUN PARALLEL FRAME

Code	Barcode	Size	Ctn	ea Exc
COW-215	9315778995368	225mm	6	\$6.55



CHECK OUT PAGE 98 FOR BONDAFLEX CAULK



CEMENT SHEET CUTTERS

Code	Barcode	Description	Size	Ctn	ea Exc
24-317	9315778998253	Score & Snap Knife Wallboard		12	\$17.15
520	9315778998871	Cement Sheet Cutter Wallboard	10mm	10	\$36.90



47-900



NEW

47-800K



520



24-317

CHALK LINES

Code	Barcode	Description	Size	Ctn	ea Exc
47-700	9315778995429	Wallboard Speedwind Chalk Line	30m	6	\$11.75
47-900	9315778992305	Wallboard Metal Chalk Line	30m	6	\$15.10
47-099	076174470994	Stanley Metal Chalk Line	30m	2	\$52.20
47-440	076174474404	Stanley Plastic Chalk Line	30m	6	\$28.05
C-8B	9315778996075	Blue Chalk	8oz	6	\$7.20
C-8R	9315778996082	Red Chalk	8oz	6	\$7.20
47-800K	9315778001755	Chalk Line Kit Wallboard	30m / 4oz	6	\$9.90



C-8R



C-8B



47-700



47-099



08-001



08-500

CIRCLE CUTTERS

Code	Barcode	Description	Size	Ctn	ea Exc
08-500	9315778998628	Calibrated Circle Cutter Wallboard	210mm	6	\$18.95
08-001	049727080018	Circle Cutter Wal-Board USA	430mm	12	\$24.60

CITRIC ACID

Code	Barcode	Size	Ctn	ea Exc
CA-200	9315778991971	200g	6	\$6.00



CA-200

CORNER ROLLER

Apply compound to internal corners in seconds with the lambswool roller from Marshalltown.

Code	Barcode	Description	Size	Ctn	ea Exc
CR3	035965190466	Lambswool Corner Roller Marshalltown	75mm	3	\$25.15
CR3RP	035965190473	Replacement Lambswool Pad Marshalltown	75mm	144	\$5.00



CR3



- 75mm roller head
- Replaceable acrylic cover with "lambs wool" texture
- Threaded handle can be used with threaded extension poles



1st Coat



Fast Corner Finishing

CORNER TOOL ADJUSTABLE



Adjusts Between
88°-150°



Stainless
Steel
Blade



CTA-100

ASPC-120
Code
CTA-100



Barcode
9315778991957



Description
Adjustable Corner Tool Wallboard



Size
80mm



Ctn
12



ea Exc
\$25.40

CORNER TOOLS INTERNAL



ASPC-120
Code



Barcode



Description



Size



Ctn



ea Exc

CT-86	9315778993760	Wallboard Stainless Steel Corner Tool with Wooden Handle	100mm	5	\$13.25
CT-90	9315778996754	Wallboard Stainless Steel Corner Tool with Rubber Handle	100mm	5	\$16.80
V-4	9315778990059	Wallboard Corner Tool with Wooden Handle	50mm	10	\$10.50
V-6	9315778996761	Wallboard Corner Tool with Rubber Handle	50mm	10	\$12.90
9410	079423094101	Hyde Stainless Steel Corner Tool with Maxx Grip	100mm	5	\$24.00
9411	079423094118	Hyde Stainless Steel Corner Tool with Wooden Handle	100mm	5	\$24.00
23D	035965053235	Marshalltown Corner Tool with Dura-Soft Handle	100mm	2	\$34.15
5560	9315778990677	Wallboard Plastic DIY Corner Tool	60mm	24	\$1.72



CO-2



CO-2RK

CORNER BEAD TOOLS

The Clinch-On-Tool installs metal corner bead without nails or staples. One blow from the rubber mallet crimps each side locking it into place.

- Heavy duty blade bites into metal and plasterboard
- Normally needs only four hits to install a 2.4m bead
- Durable spring-loaded plunger head designed for rugged use
- Rubber mallet included

Code	Barcode	Description	Size	Ctn	ea Exc
CO-2	049727710014	Clinch-on-Tool Wal-Board USA	28mm	2	\$134.20
CO-2A	049727710021	Clinch-on-Tool Wal-Board USA	32mm	2	\$134.20
CO-2RK	049727710038	Clinch-on-Tool Repair Kit Wal-Board USA		2	\$26.30



Made in Canada

SC-19

11-25

11-20

CRIMPING TOOLS WALLBOARD

Stud Crimpers are designed to secure or crimp together metal stud and track without the use of fasteners.



- Crimps metal together up to 0.8 gauge
- Features comfortable non-slip handle grips
- Increases construction speed
- Made from high quality carbon steel

Code	Barcode	Size	Ctn	ea Exc
11-20	9315778998109	250mm	6	\$54.04
11-25	9315778000932	320mm	6	\$54.04
SC-19	9315778990714	275mm	3	\$227.25

CUTTING KNIFE AUTO LOAD

- Internal blade storage
- Heavy duty die cast body
- Easy load
- Push button blade release



K-2800

ASC-133
Code
K-2800

Barcode
9315778000406

Ctn
12

ea Exc
\$12.15



CUTTING KNIVES FIXED BLADE



K-799



10-299



K-2100



K-2006

NEW



42085



K-5000

NEW

Code	Barcode
K-2006	9315778994613
K-799	9315778991094
K-2100	9315778996112
10-299	076174102994
42085	9315778001762
K-5000	9315778001779

Description
Quick Blade Change Knife Wallboard
Flip and Change Knife Wallboard
Quick Change Knife with Rubber Grip Wallboard
Fixed Blade Knife Stanley
Offset Blade Knife Wallboard
Barracuda Fixed Blade Cutting Knife

Ctn	ea Exc
12	\$12.80
12	\$15.00
12	\$13.75
20	\$18.25
12	\$9.90
12	\$11.70

CUTTING KNIVES RETRACTABLE

K-2100R



Code	Barcode
K-2100R	9315778996129
10-099	076174100990



10-099

Description	Ctn	ea Exc
Quick Change Knife with Rubber Grip Wallboard	12	\$13.75
Retractable Blade Cutting Knife Stanley	20	\$18.90



CUTTING KNIFE BLADES



42101

- Excellent flexibility
- Long life blade
- Available in a carded 5pkt (700-5) in 10pk dispenser (700-10D) and 100pkt dispenser (42101)



42357

- Suits 18mm snap-off knife
- Single sided cutting edge
- 8 point segmented blade
- 18mm thick
- 10 pack storage compartment



700-10D



700-5



11-921

- Carded pack of 5 blades
- Heavy duty
- Long cutting life



Sub-Zero Tempered



Made From Quality SK2 Steel

ARC-128 Code	Barcode	Description	Ctn	ea Exc
42101	9315778992299	Sub-Zero Blades 100pkt in Dispenser Wallboard	10	\$28.35
700-10D	9315778995375	Sub-Zero Blades 10pkt in Dispenser Wallboard	24	\$3.85
700-5	9315778991605	Sub-Zero Blades 5pkt Wallboard	20	\$2.05
42357	9315778994859	Snap-Off Blades 10pkt in Dispenser Wallboard	10	\$7.30
11-921	5000366119212	Blades 5pkt Heavy Duty Stanley	10	\$7.10

CUTTING KNIFE SCORE & SNAP



24-317

ARC-128
Code
24-317

Barcode
9315778998253

Ctn
12

ea Exc
\$17.15

DRILL BIT COUNTER SINKING

ARC-128 Code	Barcode	Description
CST-01	9315778990882	10 Gauge Countersinking Bit Tip Wallboard

Size
6mm

Ctn
10

ea Exc
\$37.00



CST-01

DRILL BIT DOUBLE ENDED

ARC-128 Code	Barcode	Size	Ctn	ea Exc
DE-30	9311963000145	3.3mm	100	\$3.50



DE-30

DRILL BITS MASONRY MULTI-FIT

ASC-128 Code	Barcode	Size	Ctn	ea Exc
SDS-5110	9311963152189	5 x 50 x 110mm	10	\$11.50
SDS-5160	9311963152264	5 x 100 x 160mm	10	\$11.76
SDS-55110	9311963152196	5.5 x 50 x 110mm	10	\$10.70
SDS-6110	9311963152202	6 x 50 x 110mm	10	\$10.70
SDS-6160	9311963152288	6 x 100 x 160mm	10	\$12.90
SDS-65110	9311963152219	6.5 x 50 x 110mm	10	\$11.20
SDS-65160	9311963152295	6.5 x 100 x 160mm	10	\$12.60



DS-2636

DROP SHEET PLASTIC

ASC-128 Code	Barcode	Size	Ctn	ea Exc
DS-2636	9312492048967	2.6m x 3.6m	25	\$1.95

DUST MASKS

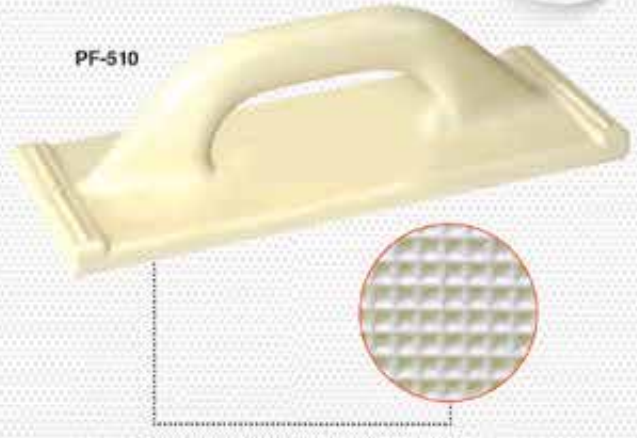


ASC-128 Code	Barcode	Description	Ctn	ea Exc
DM3-P1	9315778000420	P1 Dust Mask 3pkt Wallboard	42	\$6.90
DM3-P2	9315778000437	P2 Dust Mask with valve 3pkt Wallboard	42	\$7.30
627-20	9315778992145	P1 Dust Mask 20pkt Wallboard	20	\$25.00
627-12	9315778993401	P2 Dust Mask with valve 12pkt Wallboard	20	\$25.00
SCP1085	9310679018796	P2 Respirator Dust Mask SafeCorp	1	\$55.90
SCP1065	9310679018768	P2 Respirator Cartridge 2pkt SafeCorp	1	\$18.75
SCP1070	9310679018765	P2 Respirator Filter SafeCorp	20	\$8.10



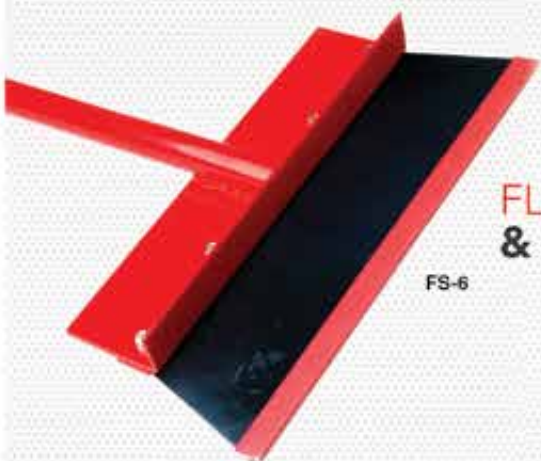
FLOATS POLYURETHANE

ARC-125 Code	Barcode	Size	Ctn	ea Exc
PF-510	9315778999243	140 x 280mm	40	\$20.45
PF-520	9315778999250	180 x 320mm	30	\$36.40



FLOAT SPONGE

ARC-125 Code	Barcode	Description	Size	Ctn	ea Exc
SSF-IS	9315778992084	Replacement Sponge	305mm	6	\$1.25
SSF-IL	9315778992091	Replacement Sponge	340mm	6	\$1.55



FLOOR SCRAPER & BLADE



ARC-125 Code	Barcode	Description	Size	Ctn	ea Exc
FS-6	9315778992060	Floor Scraper with Steel Handle	350mm	6	\$39.55
FSB-14	9315778990790	Floor Scraper Blade	350mm	6	\$7.60



GRAPHITE POWDER

The ultimate lubricant for maintaining your power tools.

ARC-125 Code	Barcode	Size	Ctn	ea Exc
GP-50	4103810105890	50g	10	\$7.20

GLUE KNIFE

The ideal tool for applying stud adhesive with the least amount of mess.

Code	Barcode	Size	Ctn	ea Exc
GK-200	9315778993913	200mm	12	\$11.55



Stainless Steel Blade



Hardwood Handle

HAMMERS CLAW



Made in USA

ASC-138

Code

Barcode

Description

Size

Ctn

ea Exc

WE-20C	9315778996099	20oz Hammer with Steel Shaft Wallboard	560g	6	\$38.50
E-20C	034139612018	20oz Hammer with Leather Grip Estwing	560g	4	\$112.55
E3-20C	034139624615	20oz Hammer with Blue Grip Estwing	560g	4	\$107.20

HAMMERS PLASTERBOARD



Made in USA



ASC-138

Code

Barcode

Description

Size

Ctn

ea Exc

WE-14	9315778990035	12oz Hammer with Steel Shaft Wallboard	340g	6	\$35.25
E3-11	34139622215	11oz Steel Hammer Estwing	312g	4	\$107.20

HOPPER GUN PROFESSIONAL



ASC-138

Code

Barcode

Ctn

ea Exc

52-005	049727520057	2	\$355.80
--------	--------------	---	----------

52-005



HAWKS

DH-40 / DH-50

- Lightweight but durable
- Radius corners for safety
- Rigid aluminium plate
- Rubber donut reduces fatigue on the hand



Rubber Handle



Aluminium Plate



DH-50A

- Grain finish and circular grooves reduces material sliding
- Corners are rounded for safety
- Bolts extend through natural wood handle and screws to plate
- Rubber donut reduces fatigue



Traditional Wooden Handle



Tempered Aluminium Plate



DH-60

- 300mm square
- Rigid, durable aluminium plate
- Rubber donut reduces fatigue on the hand



Wooden Handle



Aluminium Plate



DH-55

- 325mm square
- Premium magnesium plate
- Stronger and lighter than aluminium hawk
- Durable professional tool
- Rubber donut reduces fatigue



Rubber Handle



Strong Magnesium Plate



M-1D

- Made of heavy gauge hard rolled aluminium
- Lightweight but durable
- Edges have been smoothed & rounded
- Callus preventer included



Made in USA



Marshalltown Dura-Soft® Handle



Strong Magnesium Plate



Made in USA



5206D

- Extremely strong and lightweight
- Callus preventer included



Aluminium Plate



Marshalltown Dura-Soft® Handle



9073

- Designed for plastering & masonry work
- The grooved aluminium plate provides a non-slip surface
- Sponge rubber cushion for comfort
- Lighter gauge aluminium plate to reduce weight
- Open handle end design



Rubber Handle



Aluminium Plate

ABC118

Code



Barcode



Description



Size



Ctn



ea Exc

Code	Barcode	Description	Size	Ctn	ea Exc
DH-40	9315778990134	Aluminium Hawk with Rubber Handle Wallboard	300 x 300mm	4	\$21.95
DH-50	9315778990257	Aluminium Hawk with Rubber Handle Wallboard	325 x 325mm	4	\$23.30
DH-50A	049727470024	Aluminium Hawk with Wooden Handle Wal-Board USA	312 x 312mm	6	\$45.50
DH-60	9315778001717	Aluminium Hawk with Wooden Handle Wallboard	300 x 300mm	4	\$25.05
DH-55	9315778990448	Magnesium Hawk with Rubber Handle Wallboard	325 x 325mm	4	\$52.90
M-1D	035965952153	Aluminium Hawk with Dura-Soft Handle Marshalltown	325 x 325mm	12	\$57.25
5206D	035965052191	Magnesium Hawk with Dura-Soft Handle Marshalltown	325 x 325mm	12	\$110.60
9073	079423090738	Aluminium Hawk with Rubber Handle Hyde	325 x 325mm	5	\$41.45
DH-D	9315778997119	Replacement Foam Donut Wallboard		6	\$5.90
DH-HA	9315778997133	Replacement Wooden Handle Wallboard		6	\$10.40

JOINT KNIVES CARBON STEEL

PRO-GRIP SERIES WALLBOARD



ARC-183 Code	Barcode	Size	Ctn	ea Exc
3150	9315778992428	32mm	12	\$6.40
3250	9315778992435	50mm	12	\$7.45
3350	9315778992442	75mm	12	\$8.55
3550	9315778992459	100mm	12	\$9.60
3750	9315778992466	125mm	12	\$10.70
3850	9315778992473	150mm	12	\$11.75



Flexible Carbon Steel



Rubber Handle



Hammer Head End

BLACK & SILVER SERIES HYDE

ARC-183 Code	Barcode	Size	Ctn	ea Exc
2005	079423020056	19mm	5	\$9.50
2000	079423020001	32mm	5	\$6.80
2100	079423021008	38mm	5	\$9.00
2250	079423022500	51mm	5	\$8.80
2350	079423023507	76mm	5	\$9.70
2500	079423025006	89mm	5	\$13.90
2550	079423025501	102mm	5	\$11.70
2750	079423027505	127mm	5	\$13.10
2850	079423028502	152mm	5	\$13.90
2880	079423028809	254mm	5	\$30.25
2990	079423029905	203mm	5	\$29.50

HYDE



Flexible Carbon Steel



Nylon Handle



Full Tang Construction



DURA-SOFT SERIES MARSHALLTOWN

Code	Barcode	Size	Ctn	ea Exc
878D	035965008785	50mm	6	\$11.50
882D	035965008822	100mm	6	\$19.60
884D	035965008846	125mm	6	\$20.75
886D	035965008860	150mm	6	\$22.80



Flexible Carbon Steel



Marshalltown Dura-Soft® Handle



Full Tang Construction



Impact End



PRO PROJECT SERIES HYDE

Code	Barcode	Size	Ctn	ea Exc
6351	079423063510	76mm	5	\$9.60
6571	079423065712	102mm	5	\$11.90
6872	079423068720	152mm	5	\$15.90



Flexible Carbon Steel



Soft Grip



PROFESSIONAL SERIES WALLBOARD

Code	Barcode	Size	Ctn	ea Exc
5040	9315778994262	50mm	12	\$5.80
5065	9315778998215	75mm	12	\$6.20
5070	9315778994286	100mm	12	\$7.00
5080	9315778999939	125mm	12	\$7.70
5090	9315778994293	150mm	12	\$9.50
5095	9135778998208	200mm	12	\$12.55



Flexible Carbon Steel



Full Tang Construction



Polypropylene Handle



JOINT KNIVES STAINLESS STEEL

PRO-GRIP SERIES WALLBOARD

ASC-133 Code	Barcode	Size	Ctn	ea Exc
8250	9315778992510	50mm	12	\$8.50
8350	9315778992527	75mm	12	\$9.55
8550	9315778992534	100mm	12	\$10.65
8750	9315778992541	125mm	12	\$11.70
8850	9315778992558	150mm	12	\$12.80



Durable
Stainless
Steel



Rubber
Handle



Hammer
Head End



ALL STAINLESS SERIES WALLBOARD



One Piece
Stainless
Steel



Flexible
Blade



Easy
Clean

ASC-133 Code	Barcode	Size	Ctn	ea Exc
7020	9315778999960	50mm	12	\$14.55
7030	9315778999977	75mm	12	\$15.80
7040	9315778999984	100mm	12	\$18.40
7050	9315778999991	125mm	12	\$19.65
7060	9315778000017	150mm	12	\$21.35

STAINLESS SERIES WITH RUBBER GRIP WALLBOARD

7065



ASC-133

Code	Barcode	Size	Ctn	ea Exc
7025	9315778000024	50mm	12	\$15.40
7035	9315778000031	75mm	12	\$16.55
7045	9315778000048	100mm	12	\$19.45
7055	9315778000055	125mm	12	\$20.50
7065	9315778000062	150mm	12	\$22.30



One Piece
Stainless
Steel



Rubber
Grip



Flexible
Blade



Easy
Clean



BLACK & SILVER SERIES HYDE



Durable
Stainless
Steel



Nylon
Handle



Full Tang
Construction



1840



1540



Code	Barcode	Size	Ctn	ea Exc
1040	079423010408	38mm	5	\$15.00
1340	079423013409	76mm	5	\$20.45
1540	079423015403	102mm	5	\$23.45
1740	079423017407	127mm	5	\$30.80
1840	079423018404	152mm	5	\$35.30

PRO STAINLESS SERIES HYDE



6578



6878



Code	Barcode	Size	Ctn	ea Exc
6358	079423063589	76mm	5	\$13.00
6578	079423065781	102mm	5	\$16.20
6878	079423068782	152mm	5	\$19.45



Durable
Stainless
Steel



Soft Grip



Hammer
Head End



880SSD

882SSD

DURASOFT SERIES MARSHALLTOWN

Code	Barcode	Size	Ctn	ea Exc
764SSD	035965007841	50mm	6	\$19.15
880SSD	035965007665	75mm	6	\$22.85
882SSD	035965007689	100mm	6	\$25.25
884SSD	035965007696	125mm	6	\$26.80



Marshalltown
Dura-Soft®
Handle



Full Tang
Construction



Durable
Stainless
Steel



Impact End

PLASTIC JOINT KNIVES WALLBOARD

ABC-123 Code	Barcode	Size	Ctn	ea Exc
5520	9315778990639	50mm	24	\$1.20
5530	9315778990646	75mm	24	\$1.50
5540	9315778990653	100mm	24	\$1.50
5550	9315778990660	150mm	24	\$1.70
5580	9315778990607	200mm	24	\$1.90



JOINT TAPE HOLDER

ABC-123 Code	Barcode	Description	Ctn	ea Exc
41-002	9315778998604	Paper Tape Dispenser Wallboard	6	\$20.40



LEVELS

ABC-123 Code	Barcode	Size	Ctn	ea Exc
26-12	9315778998123	1200mm	5	\$63.30
26-20	9315778998130	2000mm	5	\$90.85

- Shock absorbing ends
- Durable block vials
- Tough powder coated aluminium alloy
- Soft grip rubber handles
- Magnetic - great for working with stud and track
- Available in sizes 1200 & 2000mm



LIGHT

ABC-123 Code	Barcode	Description	Size	Ctn	ea Exc
HL-10	9315778999809	Portable Halogen Light Wallboard	400w	8	\$32.50
HT-400	9315778999816	Halogen Tube Wallboard	400w	24	\$4.00



MITRE BOXES

Our selection of Mitre Boxes will assist you in making clean, precise cornice cuts.

STANDARD MITRE BOX

ARC-120 Code	Barcode	Description	Ctn	ea Exc
MB-90	9315778990301	Cuts 55, 75 & 90mm Cornice	10	\$16.10

- Sides and base are 20mm thick ply wood and glued together for added strength
- Steps in base of mitre box to accommodate 55mm, 75mm and 90mm cornice
- Slots are not full depth to maintain strength while box is in transit



Quality Ply Wood



Cuts at 45°



MB-90



MBD-90

DUAL CUT MITRE BOXES

ARC-120 Code	Barcode	Description	Ctn	ea Exc
MBD-90	9315778992794	Cuts 55, 75 & 90mm Cornice	10	\$17.15
MBD-100	9315778994910	Cuts 55, 75, 90 & 100mm Cornice	10	\$20.00

- Made from construction grade plywood
- Sides and base are both 20mm thick and glued together for added strength
- Steps in base to accommodate 55mm, 75mm and 90mm cornice
- Cuts are not full depth to maintain strength while box is in transit



Cuts at 45° & 135°

ADJUSTABLE MITRE BOX

ARC-135 Code	Barcode	Size	Ctn	ea Exc
MBA-300	9315778994354	300mm	4	\$78.80

- Ideal for larger ornate cornices
- Box adjusts to accommodate and accurately cut cornice up to 300mm wide
- The overall length is 600mm
- Supplied with two 150mm steel brackets for added strength
- Packed in kit-form and assembles in minutes



Quality Ply Wood



Cuts at 45° & 90°



MBA-300



MIXERS DRILL



PM-50

- Two fixed blades at 120mm diameter
- 600mm long M14 shaft for screw fitting
- For use with the PM-1100 Wallpro Power Mixer

For Use With the Wallpro Power Mixer (PM-50 & PMB-3 only)

Fixed Blade

For Use With a Power Drill

Fixed Blade



43-001

- Simple robust design
- Durable metal construction
- 600mm shaft and 200mm wide head



46565

- Hexagon shaped 760mm shaft with 100mm diameter head
- Electrostatic epoxy coating for corrosion resistance and easy cleaning
- For use in drills with 10mm or larger chuck

Fixed Blade

For Use With a Power Drill



9105

- Two fixed fan shaped blades
- The mixer is zinc plated with 125mm diameter blades
- 10mm x 600mm hexagon steel shaft

For Use With a Power Drill

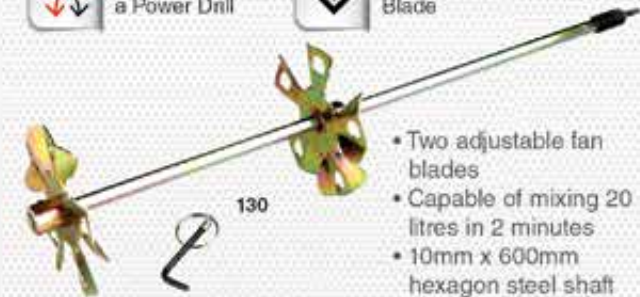
Fixed Blade



EC28

For Use With a Power Drill

- Durable polypropylene mixing paddle
- Easy flow design results in smooth, even mix
- Mixer comes with a 700mm shaft that will fit any standard mixing drill



130

- Two adjustable fan blades
- Capable of mixing 20 litres in 2 minutes
- 10mm x 600mm hexagon steel shaft

Adjustable Blades (130 only)

For Use With a Power Drill



PMB-3

- Three fixed blades at 120mm diameter
- 600mm long M14 shaft for screw fitting
- For use with the PM-1100 Wallpro Power Mixer

For Use With the Wallpro Power Mixer (PM-50 & PMB-3 only)

Fixed Blade

Code	Barcode	Description	Size	Ctn	ea Exc
130	9315778990264	Fan Mixer with 2 Adjustable Blades Wallboard	125 x 600mm	6	\$32.35
43-001	9315778993968	Quick Mixer Wal-Board USA	200 x 600mm	6	\$35.00
46565	9315778995061	Mud Slinger Wallboard	100 x 600mm	6	\$13.85
9105	9315778992053	Fan Mixer with 2 Fixed Blades Wallboard	125 x 600mm	6	\$31.45
EC28	099922398166	Tornado Mixer Pivot Blade	175 x 700mm	6	\$31.85
PM-50	9315778998444	2 Blade M14Pos for Wallpro PM-1100	120 x 600mm	1	\$34.90
PMB-3	9315778997904	3 Blade M14Pos for Wallpro PM-1100	120 x 600mm	1	\$45.50

MIXER HAND

ABC-128 Code	Barcode	Size	Ctn	ea Exc
CM-01	9315778990363	680mm	6	\$58.70

- Handle and shaft made from 20mm tube steel
- Coated to resist rust
- Grid measures 185mm x 200mm
- Overall length 680mm



Hand
Mixing



Fixed
Blade

PP-14



MUD PANS PLASTIC

ABC-128 Code	Barcode	Size	Ctn	ea Exc
PP-12	049727270020	300mm	12	\$14.80
PP-14	049727270044	350mm	12	\$16.30

NAIL BAGS



BT-125-2

- Complete with web belt 45mm x 1200mm
- Fitted with ABS plastic quick release buckle
- Made from hard wearing split suede

2

2 Generous
Pockets



Customise with
Wallboard Tool
Holders



BT-99-2

- Complete with web belt 45mm x 1200mm
- Fitted with ABS plastic quick release buckle
- Made from hard wearing split suede

2

2 Extra Large
Pockets



Customise with
Wallboard Tool
Holders



BT-125-4

- Heat sealed and double riveted webbed belt with quick release clips
- Includes 16-015 Hammer Loop
- Robust, reinforced hard wearing split suede



Customise with
Wallboard Tool
Holders

5

5 Large
Pockets

ABC-128 Code	Barcode	Description	Ctn	ea Exc
BT-99-2	9315778992213	2 Pocket Suede Nail Bag	5	\$22.80
BT-125-2	9315778992220	2 Pocket Suede Nail Bag	5	\$33.80
BT-125-4	9315778992237	5 Pocket Suede Nail Bag	5	\$65.75



- BT-125-4M**
- Durable webbed belt with plastic clips
 - Includes 16-015 Hammer Loop
 - Manufactured from quality moccasin leather



- BT-600-M**
- Heavy duty leather belt with buckle
 - Two fixed hammer loops and a utility pocket
 - Top grain, vegetable dyed moccasin leather



Customise with Wallboard Tool Holders



5 Large Pockets



5 Large Pockets

Code	Barcode	Description	Ctn	ea Exc
BT-125-4M	9315778994408	5 Pocket Moccasin Nail Bag	5	\$118.00
BT-600-M	9315778997737	Premium 5 Pocket Moccasin Nail Bag	5	\$139.00

TOOL HOLDERS



Code	Barcode	Description	Ctn	ea Exc
16-015	9315778990738	Hammer Loop	10	\$8.70
16-020	9315778990721	Swinger Hammer Loop	10	\$10.25
16-50	9315778990745	Tin Snips Holder	6	\$13.70
16-51	9315778992046	Utility Knife Holder	6	\$16.15
16-70	9315778999236	Universal Bungee Tool Holder	6	\$9.20
HM4949	035965149495	Hawk Mate Marshalltown	12	\$24.75
SCP8000	9310679019243	Multi-Purpose Clip 2pkt SafeCorp	1	\$16.15

NO-COAT ULTRATOOLS

ABC-123 Code	Barcode	Description	Ctn	ea Exc
NC-H1	0634678006004	Double Barrel Hopper	2	\$555.00
NC-UCR	0634678005175	90° External Corner Roller No-Coat	1	\$450.00
NC-CRIL	0634678005199	90° Internal Corner Roller No-Coat	1	\$450.00



NC-H1

The No-Coat double barrel hopper is designed to coat Ultratrim (inside, outside and bullnose corners) as well as Ultraflex 325 and Ultraflex 450.

- Set up for all angles - no time consuming adjustments
- High volume polyurethane tank



NC-CRIL

No-Coats 90° inside corner roller assists in delivering the high speed installation of 90° inside Ultratrim and Ultraflex 325 on off angles.

- Squeezes excess compound out behind the corner
- Roller matches the corner profile perfectly



NC-UCR

The 90° outside corner roller from No-Coat beds in 90° outside Ultratrim, 90° outside Bullnose Ultratrim and Bullnose Ultra-Arch perfectly - squeezing out excess compound.

- Made from quality components
- Taper matches the corner profile perfectly for maximum bond while using the minimum amount of compound

PENCILS & CRAYONS

Code	Barcode	Description	Ctn	ea Exc
15-10*	9318924000046	Black Crayon	12	\$1.30
15-11*	9318924000015	Blue Crayon	12	\$1.30
15-006*	9315778992275	Carpenters Pencil Medium Lead	72	\$0.80

*Minimum 25 carton quantities



15-006

PLASTERBOARD STRIPPER

The Plasterboard Stripper makes precision cuts in 10mm, 13mm or 16mm plasterboard quick and easy.

- Cuts up to 115mm segments
- Perforated wheels cut both sides of the plasterboard
- Measuring increments in both inches and millimetres
- Once cut the piece is snapped off neatly without tearing paper

Code	Barcode	Ctn	ea Exc
BS-21	9315778996891	6	\$31.50



PLHD-20



POWER LEAD

ASC-129 Code	Barcode	Size	Ctn	ea Exc
PLHD-20	9315778998581	20m	4	\$40.90

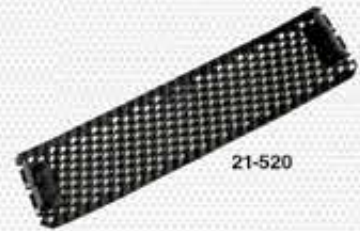


RASPS

ASC-129 Code	Barcode	Description	Size	Ctn	ea Exc
21-111	9315778995207	Rasp Wallboard	140mm	2	\$11.65
21-520	9315778995214	Rasp Blade Wallboard	140mm	6	\$5.75



21-111



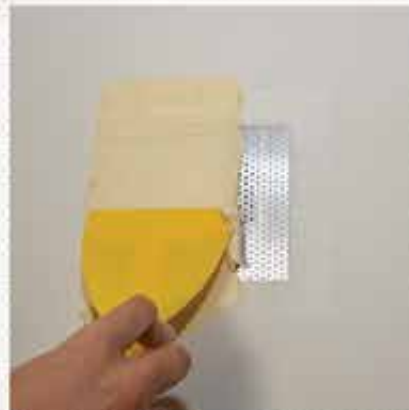
21-520

REPAIR PATCHES

ASC-129 Code	Barcode	Size	Ctn	ea Exc
54-005	049727540055	100 x 100mm	10	\$9.10
54-007	049727540079	200 x 200mm	10	\$12.95



54-005



RIVET GUNS & RIVETS

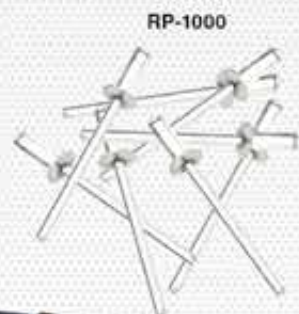
ASC-129 Code	Barcode	Description	Size	Ctn	ea Exc
AS-2730	5013035024717	Heavy Duty Rivet Gun		3	\$84.75
RP-250	9310679809523	Economy Rivet Gun		5	\$39.30
RP-1000	9315778994583	Aluminium Pop Rivets 1000pkt	8mm	20	\$27.15



RP-250



AS-2730



RP-1000

SAFETY

DM3-P1



DM3-P2



627-20



627-12



P1 Australian Standard



Plastic Valve



P2 Australian Standard



SCP1085

DUST MASKS

Code	Barcode
DM3-P1	9315778000420
DM3-P2	9315778000437
627-20	9315778992145
627-12	9315778993401
SCP1085	9310679018796
SCP1065	9310679018768
SCP1070	9310679018765

Description	Ctn	ea Exc
P1 Dust Mask 3pkt Wallboard	42	\$6.90
P2 Dust Mask with valve 3pkt Wallboard	42	\$7.30
P1 Dust Mask 20pkt Wallboard	20	\$25.00
P2 Dust Mask with valve 12pkt Wallboard	20	\$25.00
P2 Respirator Dust Mask SafeCorp	1	\$55.85
P2 Respirator Cartridge 2pkt SafeCorp	1	\$18.75
P2 Respirator Filter SafeCorp	20	\$8.10



SCP5010



EAR PROTECTION

Code	Barcode	Description	Ctn	ea Exc
SCP5015	9310679010144	Swivel Earmuffs SafeCorp	1	\$13.80
SCP5010	9310679019137	Foam Earplugs 10pt SafeCorp	25	\$5.25

SCP5015



SCP2035



SCP2010



SCP2060

GLASSES & GOGGLES

Code	Barcode	Description	Ctn	ea Exc
SCP2010	9310679018833	Blue Mirror Wrap Around Safety Glasses SafeCorp	1	\$16.75
SCP2035	9310679018888	Clear Anti-fog Wrap Around Safety Glasses SafeCorp	1	\$12.60
SCP2060	9310679018932	Direct Vent Goggles SafeCorp	1	\$7.50



GLOVES

Code	Barcode	Description	Ctn	ea Exc
SCP4030	9310679019069	Leather Riggers Gloves SafeCorp	20	\$11.80
SCP4005	9310679019014	Poly Cotton Latex Gloves SafeCorp	20	\$8.65

SCP4030

SCP4005

HARD HATS

Code	Barcode	Description	Ctn	ea Exc
SCP6000	9310679019168	White Hard Hat SafeCorp	20	\$19.25
SCP6005	9310679019175	Yellow Hard Hat SafeCorp	20	\$19.25
SCP6010	9310679019182	Blue Hard Hat SafeCorp	20	\$19.25
SCP8005	9310679019250	Hard Hat Holder SafeCorp	10	\$26.50



SCP6005



SCP6000



SCP6010

- High performance magnets for attaching to metal surfaces
- Screws to attach to timber and plasterboard surfaces
- High visibility orange



SCP8005

- White, Yellow and Blue colours available
- Unique vented system to minimise sweating
- Flexible 5 point strap suspension system for added comfort across a range of head sizes
- Certified to AS/NZS 1801

KNEE PADS

Knee Pads designed specifically for the professional who has to spend lengthy periods working in the kneeling position.

Code	Barcode	Description	Ctn	ea Exc
SCP3000	9310679018970	Gel Knee Pads SafeCorp	1	\$36.80

- Knee Pads with gel insert for maximum comfort
- Adjustable Hook & Loop strap



SCP8000

TOOL HOLDER

Code	Barcode	Description	Ctn	ea Exc
SCP8000	9310679019243	Multi-Purpose Clips 2pkt SafeCorp	1	\$16.15



SCP8030



Day Time Use



SCP8055



Night Time Use



SCP8010

VESTS & COVERALLS

Code	Barcode	Description	Size	Ctn	ea Exc
SCP8010	9310679019267	Disposable White Coveralls SafeCorp		1	\$6.40
SCP8030	9310679019304	Day Safety Vest Orange SafeCorp	XXL	1	\$7.30
SCP8055	9310679019359	Night Safety Vest Green SafeCorp	XXL	1	\$12.15

SANDERS

HAND SANDERS SMALL



6185

WHS-76



HS-66



9057



Hand Sanding



Use with Small Sandpaper/Sanding Mesh (find it on page 5)



9165

Hyde Dust Dogs are the economical way to reduce dust when sanding plasterboard joints. Included in the box: Hyde Dust Dog Hand Sander, 1.8m Vacuum Hose, 2 Vacuum Hose Adapters & 1 sheet of Small Sanding Mesh.



Use with Small Sanding Mesh (find it on page 5)

Code	Barcode	Description	Size	Ctn	ea Exc
6185	9315778994309	Aluminium Base Polypropylene Handle Sander Wallboard	230mm	6	\$14.20
HS-66	9315778991216	Aluminium Base Wooden Handle Sander Wallboard	230mm	6	\$23.90
WHS-76	9315778991056	Plastic Sander Wallboard	230mm	10	\$8.50
9165	079423091650	Dust Dog Sander Hyde	230mm	5	\$53.00
9057	079423090578	Polypropylene Sander Hyde	230mm	5	\$27.50

HAND SANDERS LARGE

Code	Barcode	Description	Size	Ctn	ea Exc
HS-72	9315778990042	Red Polypropylene Sander Wallboard	280mm	10	\$11.80



Hand Sanding



Use with Large Sandpaper/Sanding Mesh (find it on page 5)



HS-72



POLE SANDER COMPLETE

Economical pole sanding at it's finest.

Code	Barcode	Description
WS-22	9315778994705	Aluminium Head with 1.2m Wood Handle Wallboard
WAS-32	9315778990691	Plastic Head 1.2m Wooden Handle

Ctn	ea Exc
12	\$32.10
10	\$16.85



Hand Sanding



Use with Small Sandpaper/ Sanding Mesh (find it on page 5)

POLE SANDER HEADS

The Radius 360 Pole Sander Head is a unique design that enables the sander head to move around easily in all directions.



Hand Sanding



For use with Super Pads and Mesh (find it on pages 6 & 7)



72-360

- Die cast aluminium head with wide pivot brackets giving the tool unique side to side, up and down, and circular mobility
- The round design minimises flipping



72-362

Hook & Loop Foam Adapter for Radius 360 Sanding Head (72-360) Compatible with Wallboard Super Pads, JSD Super Pads, Wallboard Super Mesh and JSD Mesh.

9170



Sand hard to reach areas and reduce onsite dust with the Hyde Dust Dog Pole Sander. Included in the box: Hyde Dust Dog Hand Sander, 1.8m Vacuum Hose, 2 Vacuum Hose Adapters & 1 sheet of Small Sanding Mesh.



Hand Sanding



Connects to Vacuum to Reduce Dust



Use with Small Sanding Mesh (find it on page 5)

Code	Barcode	Description	Thread	Size	Ctn	ea Exc
WS-22H	9315778992077	Aluminium Sanding Head Wallboard	Female	230mm	12	\$26.80
WAS-32H	9315778001151	Plastic Sanding Head Wallboard	Female	230mm	10	\$11.65
72-360	0726372360008	Radius 360° Sanding Head Trim-Tex	Female	225mm	1	\$117.60
9170	079423091704	Head Dust Dog Sanding Head Hyde	Female	230mm	5	\$74.25

POLES & ACCESSORIES



WBH-4

- Economical wooden handle ideal for pole sanding and paint rollers
- Male threaded end
- 1.2m long



Fixed Handle



15-349

- Suits all telescopic extension handles
- Changes male to a female thread



15-345



Telescopic Handle
1.2 > 2.4m



15-6508



Telescopic Handle
1.2 > 2.4m

- Sturdy fibreglass and aluminium construction
- Dual quick release lock pin for handle extension
- Male threaded end

Code	Barcode	Description	Thread	Size	Ctn	ea Exc
WBH-4	9315778996778	Wooden Pole Wallboard	Male	1.2m	6	\$8.15
15-345	9314885020406	Telescopic Aluminium Pole Wallboard	Male	1.2-2.4m	6	\$61.30
15-6508	9314882040749	Telescopic Fibreglass Pole Wallboard	Male	1.2-2.4m	6	\$75.85
72-362	0187691000080	Hook & Loop Foam Adaptor for 72-360 Trim-Tex		225mm	3	\$38.40
15-349	9315778992954	Plastic Thread Adaptor Wallboard			6	\$5.65

SAWS

CORNICE SAWS



FC-2210

- Hardened tempered blade
- Forward and reverse cut
- Aggressive tooth



Rubber Handle

10PT

10pt Blade



WS-2210 / WS-2610 / WS-3210

- Designed for cutting ornamental cornice in a large mitre box
- Available in 550mm, 650mm and 800mm blade lengths



Plastic Handle

10PT

10pt Blade



9520W

- Finger rests for both left and right handers
- Forward and reverse cut
- Precision cross ground teeth for extra sharpness



Rubber Handle

8PT

8pt Blade

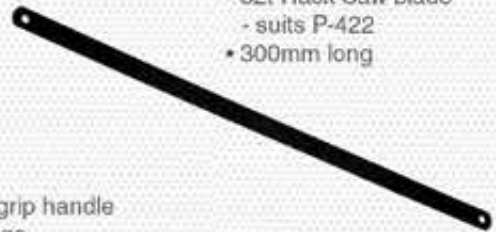
Code	Barcode	Description	Size	Ctn	ea Exc
FC-2210	9315778996785	Fast Cut Pro-Grip Cornice Saw Wallboard	550mm	6	\$18.75
WS-2210	9315778990851	Plastic Handle Cornice Saw Wallboard	550mm	6	\$14.60
WS-2610	9315778993814	Plastic Handle Cornice Saw Wallboard	650mm	6	\$18.70
WS-3210	9315778998857	Plastic Handle Cornice Saw Wallboard	800mm	6	\$41.15
9520W	5012095047858	Rubber Handle Cornice Saw S&J	528mm	10	\$52.20



HACK SAW



- P-422**
- 300mm long
 - Comfortable Pro-grip handle
 - Quick blade change



- LFT-1232**
- 32t Hack Saw blade
 - suits P-422
 - 300mm long

Code	Barcode	Description	Size	Ctn	ea Exc
P-422	9310679811915	Hack Saw Pro-Grip Handle Wallboard	300mm	6	\$23.15
LFT-1232	9300691159935	Hacksaw Blade 32t Flexible Wallboard	300mm	100	\$2.05

KEYHOLE SAWS

IS-50



- Hard wearing yet economical
- Heat treated steel
- Sharp point for penetrating plasterboard



Wood Handle



10pt Blade

WS-91



- Ergonomically designed handle
- Hardened steel blade and cutting teeth
- Aggressive fast tooth



Rubber Handle



8pt Blade

9016



- Double-ground high carbon steel teeth cut in both directions
- Used to cut plasterboard, masonite, plywood and timber
- Ideal for cutting out light switches, outlets and access points



Rubber Handle



8pt Blade

Code	Barcode	Description	Size	Ctn	ea Exc
IS-50	9315778992671	Wooden Handle Keyhole Saw Wallboard	150mm	12	\$8.20
WS-91	9315778992695	Pro-Grip Handle Keyhole Saw Wallboard	150mm	6	\$13.40
9016	079423090165	MaxxGrip Keyhole Saw Hyde	150mm	5	\$12.00

WS-15



RIP SAW

- Solid high impact plastic handle
- Tough all round design
- Stiff blade



Plastic Handle



5pt Blade

Code	Barcode	Description	Size	Ctn	ea Exc
WS-15	9315778990028	Heavy Duty Rip Saw Wallboard	375mm	6	\$18.00

SCOOP PLASTER

This handy plaster scoop is designed for scooping up gauges of render material.

- Soft rubber grip handle
- Hang hook
- Heavy duty galvanising
- 180mm scoop size



ASC-125 Code	Barcode	Size	Ctn	ea Exc
PSC-1	9315778997980	375mm	1	\$59.80

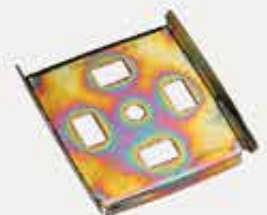
SCRAPERS & SCRAPER BLADES



- 6 tools in 1
- 64mm scraper, putty spreader/ remover, paint roller cleaner, patching tool, paint tin opener & hammer head end
- Flexible carbon steel
- Nylon handle



- 5 tools in 1
- 64mm scraper, putty spreader/ remover, paint roller cleaner, patching tool & paint tin opener
- Flexible carbon steel
- Nylon handle



ASC-125 Code	Barcode	Description	Size	Ctn	ea Exc
2970	079423029707	5 in 1 Scraper & Painters Tool 64mm Hyde	64mm	5	\$15.76
2980	079423029806	6 in 1 Scraper & Painters Tool 64mm Hyde	64mm	5	\$18.45
10540	079423105401	Hyde 4 Edge Paint Scraper	64mm	5	\$19.70
13050	079423130502	Hyde Glass Scraper	64mm	10	\$5.05
11130	079423111303	Hyde 4 Edge Paint Scraper Blade for 10540	64mm	10	\$6.35
13110	079423131103	Hyde Glass Scraper Blades 5pkt for 13050		10	\$5.00



SHEET LIFTERS

The Wallboard Sheet Lifter raises and lowers plasterboard or other types of sheeting by way of a winch system.

PL-3350

- Lifts up to a height of 3.35m
- Tough welded steel construction
- Great safety with a cam lock break
- Tilting cradle for lower loading height and single person operation
- Cradle outriggers stabilise plasterboard sheets
- Dismantles to fit in the boot of most cars
- Maximum sheet size 1.22m x 4.88m



Fast assembly - no tools required



Spare parts available



Safety Certificate Available



Load rating 68kgs



Parts Diagram Available



PLE-1200

- Height Extension of 1.2m (total lift height of 4.5m when fitted to the Sheet Lifter)
- Tough welded steel construction
- Maximum sheet size 1.22m x 4.88m



The Roller Lifter uses a "rolling" action to pivot sheeting off the floor.



RL-42

- Tempered all steel construction
- Ribbed back for extra strength
- Vertical top lip lets you guide lifter into place with toe
- Weighted nose keeps lifter in position
- Roller wheel moves board against wall, ready to install
- Length of sheet lifter is 380mm

The Mini Lifter makes quick work of manipulating sheets from the ground.

ML-45

- Strong tempered, all steel construction
- Ribbed back for extra strength
- Compact and lightweight
- Length is 230mm



Code	Barcode
PL-3350	9315778998734
PLE-1200	9315778999922
ML-45	9315778998239
RL-42	9315778998222

Description
Sheet Lifter Wallboard
Sheet Lifter Extension Wallboard
Mini Lifter Wallboard
Roll Lifter Wallboard

Size	Ctn	ea Exc
	1	\$831.00
1200mm	1	\$288.10
	6	\$18.40
	2	\$32.75



SHEET PROP

ABC-128
Code
15-290

Barcode
9315778999847

Description
Tele-Prop Wallboard

Size
1.15 - 2.8m

Ctn
6

ea Exc
\$35.25



Safety Certificate Available



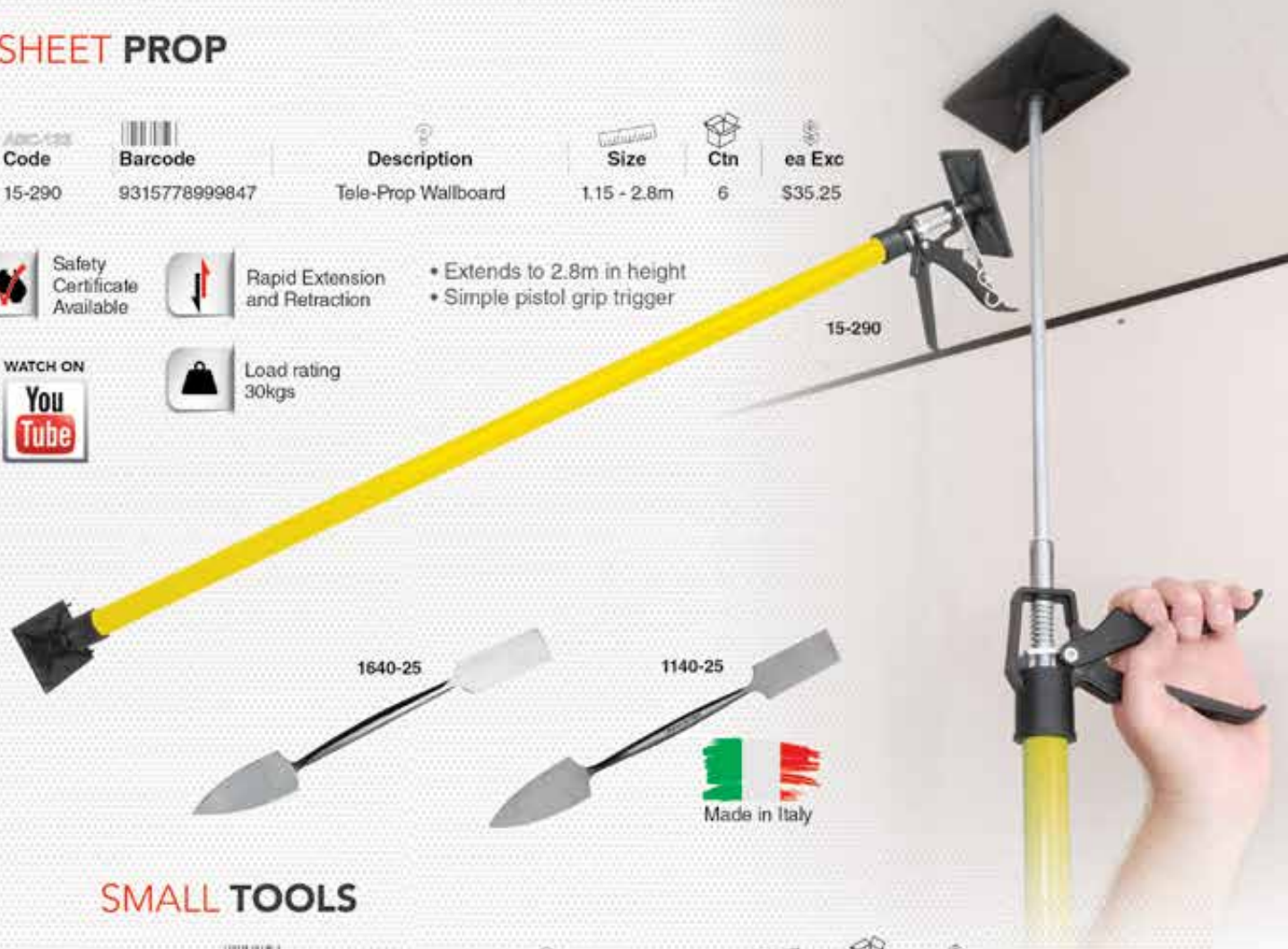
Rapid Extension and Retraction

- Extends to 2.8m in height
- Simple pistol grip trigger

WATCH ON



Load rating
30kgs



SMALL TOOLS

ABC-128
Code

Barcode

Description

Size

Ctn

ea Exc

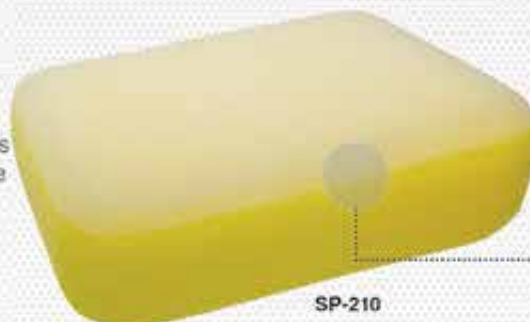
1640-12	9315778993777
1640-20	9315778996792
1640-25	9315778993784
1140-12	9315778990806
1140-15	9315778995511
1140-20	9315778995528
1140-25	9315778992725

Wallboard Small Tool	12mm	10	\$8.90
Wallboard Small Tool	20mm	10	\$8.90
Wallboard Small Tool	25mm	10	\$8.90
Forged Italian Steel Small Tool	12mm	12	\$17.65
Forged Italian Steel Small Tool	15mm	12	\$17.65
Forged Italian Steel Small Tool	20mm	12	\$17.65
Forged Italian Steel Small Tool	25mm	12	\$17.65

12mm	10	\$8.90
20mm	10	\$8.90
25mm	10	\$8.90
12mm	12	\$17.65
15mm	12	\$17.65
20mm	12	\$17.65
25mm	12	\$17.65

SPONGE MULTI-PURPOSE

- Easy to hold rounded corners
- Ideal for wiping down cornice
- Yellow side for cleaning
- White side for sanding
- Rinse and re-use
- Size 180 x 130 x 50mm



SP-210



ABC-128
Code
SP-210

Barcode
9315778001533

Description
Multi-Purpose Sponge Wallboard

Size
180mm

Ctn
12

ea Exc
\$4.00



SQUARES

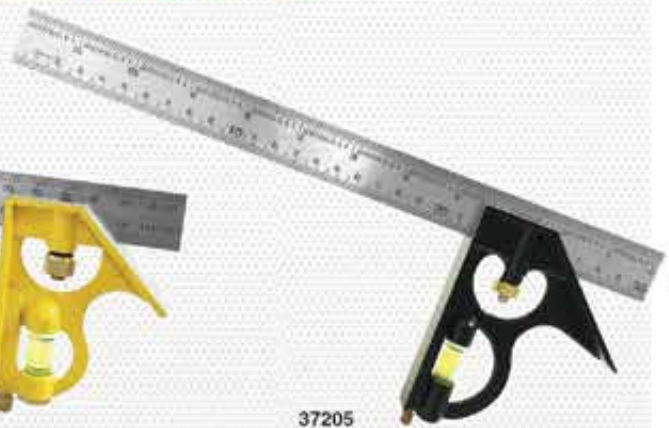
COMBINATION SQUARES



- AG-1035**
- Made from tough stainless steel
 - Adjustable wing nuts for setting desired internal and external angles
 - Size 305 x 228 x 203mm



- MF-1276**
- Die-cast metal frame
 - Removable grooved steel blade graduated in inches and millimetres on both sides
 - Machined head with permanently mounted 360° level vial
 - Hardened scribe with brass bushing
 - Blade measures 105mm
 - 90° & 45° settings



- 37205**
- Robust aluminium construction
 - Metric and Imperial measurements
 - 360° level vial
 - Hardened scribe

ASC-128 Code	Barcode	Description	Size	Ctn	ea Exc
AG-1035	9318428181319	Plasterers Square Wallboard		6	\$37.00
MF-1276	30553451042	Combination Square Wallboard	150mm	6	\$29.80
37205	9310679804528	Combination Square	300mm	6	\$38.00

"T" SQUARES



- 9027 / 9028**
- Blade printed in metric
 - Reverse ruled for quick measuring in both directions
 - Head of "T" Square has a flange to provide added strength and will run along the edge of the sheet
 - Supplied in 2 sizes - 1200 & 1350mm



- TS-20 / TS-20-L**
- Lightweight Aluminium construction
 - "T" Square heads have a flange providing added strength that holds to the edge of the sheet
 - Available in 1200 & 1350mm



ASC-128 Code	Barcode	Description	Size	Ctn	ea Exc
TS-20*	9315778990080	Non-Calibrated "T" Square Wallboard	1200mm	5	\$27.45
TS-20-L*	9315778992008	Non-Calibrated "T" Square Wallboard	1350mm	5	\$30.35
9027*	9315778990288	Calibrated "T" Square Wallboard	1200mm	5	\$35.70
9028*	9315778994927	Calibrated "T" Square Wallboard	1350mm	5	\$36.55

* T-Squares are ordered in multiples of 5 for transportation purposes

STAPLE GUNS



- RSG-14**
- High impact force
 - Noise damper
 - Recoil free
 - Handle lock
 - Quick load
 - All steel construction



Medium Duty



Fires 6 & 8mm Staples



Made in Sweden

Rapid



RSG-34

- High impact force
- Noise damper
- Recoil free action
- Adjustable force
- Locking function
- Bottom loading
- All steel construction



Fires 6, 8, 10, 12 & 14mm Staples



Heavy Duty



Made in Sweden



JT-21

- All steel construction
- Compact and lightweight
- Jam resistant
- Built in staple lifter



Fires only Arrow JT-21 staples



Medium Duty

WATCH ON



SGP-20

- Made from durable and lightweight aluminium alloy
- Power selector dial
- Convenient staple refill window
- Easy bottom loading
- Safe handle locking system
- Comfortable rubber grip



Heavy Duty



Fires 6, 8, 10, 12 & 14mm and 16mm, 18 Gauge Brad Nails

T-55

- All steel construction
- Hardened steel working parts
- Easy squeeze operation
- Anti-jam technology
- Handle lock



Medium Duty



6, 8, 10, 12 & 14mm Staples



T-50

- All steel construction
- Hardened steel working parts
- Contoured grip
- Easy squeeze operation
- Jam resistant mechanism



Heavy Duty



6, 8, 10, 12 & 14mm Staples

ABC-125

Code



Barcode

SGP-20

9315778996914

Heavy Duty Professional Staple Gun Wallboard



Ctn

5



ea Exc

\$43.20

JT-21

079055500211

Medium Duty Steel Staple Gun Arrow

5

\$56.95

T-50

079055000501

Heavy Duty Staple Gun Arrow

5

\$95.95

T-55

079055000556

Medium Duty Staple Gun Arrow

5

\$81.60

RSG-14

7313465114506

Medium Duty Staple Gun Rapid

5

\$84.10

RSG-34

7313465115503

Heavy Duty Staple Gun Rapid

5

\$101.20



STAPLES



WS140-10



WCS-12



Packaged in protective plastic case



RS140-10-5



RS140-10



Packaged in protective plastic case

- Made from galvanised steel
- Rapid Staples fit most staple guns
- Chisel point
- Available in 2000 & 5000 pack quantities



WS140-10-5



JT-21-8

- Wire staples
- Flat point bottom
- 1000 per packet
- Available in 8mm
- Use only with JT-21 Staple Gun

- Wallboard range of staples are designed to fit the Wallboard Professional Staple Gun
- Also fits Rapid RSG-34 staple gun and the Arrow T-50 & T-55 guns
- Chisel Point staples made from galvanised steel
- Available in 1000, 2000 & 5000 pack quantities



T-50-12

- Arrow Staples fit most staple guns
- 8mm & 10mm sizes have divergent point
- Galvanised steel



Code	Barcode	Description	Size	Ctn	ea Exc
WCS-8	9315778999571	Chisel Point Staples 1000pkt Wallboard	8mm	100	\$5.90
WCS-10	9315778999588	Chisel Point Staples 1000pkt Wallboard	10mm	100	\$6.10
WCS-12	9315778999595	Chisel Point Staples 1000pkt Wallboard	12mm	100	\$6.45
WS140-8	9315778992183	Chisel Point Staples 2000pkt Wallboard	8mm	50	\$5.55
WS140-8-5	9315778996853	Chisel Point Staples 5000pkt Wallboard	8mm	30	\$12.75
WS140-10	9315778992190	Chisel Point Staples 2000pkt Wallboard	10mm	50	\$5.55
WS140-10-5	9315778996846	Chisel Point Staples 5000pkt Wallboard	10mm	20	\$14.15
WS140-12	9315778992206	Chisel Point Staples 2000pkt Wallboard	12mm	50	\$6.20
JT-21-8	79055215165	Wire Staples 1000pkt Arrow	8mm	80	\$6.85
T-50-6	79055500148	Chisel Point Staples 1250pkt Arrow	6mm	80	\$9.10
T-50-8	79055505167	Divergent Staples 1250pkt Arrow	8mm	80	\$9.10
T-50-10	79055500384	Divergent Staples 1250pkt Arrow	10mm	80	\$9.30
T-50-12	79055500124	Chisel Point Staples 1250pkt Arrow	12mm	80	\$10.00
T-50-14	79055509165	Chisel Point Staples 1250pkt Arrow	14mm	80	\$10.75
RS140-6	4051661009723	Chisel Point Staples 2000pkt Rapid	6mm	50	\$12.55
RS140-8	4051661009730	Chisel Point Staples 2000pkt Rapid	8mm	50	\$12.55
RS140-8-5	7313463030891	Chisel Point Staples 5000pkt Rapid	8mm	20	\$24.30
RS140-10	4051661009747	Chisel Point Staples 2000pkt Rapid	10mm	50	\$12.55
RS140-10-5	7313463030907	Chisel Point Staples 5000pkt Rapid	10mm	15	\$26.40
RS140-12	4051661009754	Chisel Point Staples 2000pkt Rapid	12mm	50	\$13.00

STILTS

Plasterers stilts are used to reach higher places without the use of scaffolds, trestles or planks.

DSD-1830 / DSD-2440

- Made from high strength aluminium alloy
- Working parts are cadmium plated steel for long life
- Rubber soles are bonded on, they also prevent slipping
- Heights are adjustable every 50mm
- Strap on adapters come with each set
- Main struts are channel aluminium and adjustable by wishbone spring
- 450-750mm (medium) and 600-1010 (large) sizes



PAGE 68 Parts Diagram Available



Adjustable Heights

WS-1830 / WS-2440

- Locking strap buckles for comfort and safety
- Upper and lower coil springs for more natural movement
- Includes Work-safe guidance notes
- Available in 450-750mm (medium) and 600-1000 (large)

PAGE 70 Parts Diagram Available



SWS-1830 / SWS-2440

- Snowboard style bindings with ratchet system to ensure light and comfortable fit on feet
- Innovative and adjustable tension springs enable the user to have more natural movement and walking motion
- This design allows you to stand straight giving greater comfort and reducing fatigue
- Available in 450-750mm (medium) and 600-1000 (large) sizes

Load rating 102kgs Skywalker Stilts

Adjustable Heights

PAGE 72 Parts Diagram Available



ABC-123 Code	Barcode	Description	Size	Ctn	ea Exc
WS-1830	9315778996242	Medium Adjustable Stilts Wallboard	450-750mm	6	\$407.00
WS-2440	9315778996259	Large Adjustable Stilts Wallboard	600-1000mm	6	\$422.00
DSD-1830	035965085915	Medium Adjustable Dura-Stilts	450-750mm	6	\$820.00
DSD-2440	035965085922	Large Adjustable Dura-Stilts	600-1010mm	6	\$850.00
SWS-1830	035965049009	Medium Adjustable Skywalker Stilts Marshalltown	450-750mm	1	\$940.00
SWS-2440	035965049016	Large Adjustable Skywalker Stilts Marshalltown	600-1000mm	1	\$1,000.00

STRAIGHT EDGES

ABC-123 Code	Barcode	Size	Ctn	ea Exc
AG-21	9318428199215	2100mm	6	\$93.50
AG-24	9318428199246	2400mm	6	\$94.48
AG-27	9318428199277	2700mm	6	\$104.00
AG-30	9318428199307	3000mm	6	\$114.00

AG-21

- Lightweight and accurate
- Made from extruded aluminium
- Uses include ruling, cement render screeding, for tiling and as a general construction straight edge
- Fitted with rubber end plugs and ribbed on both sides
- Available in 2100, 2400, 2700 & 3000mm lengths



STRING LINES

ABC-123 Code	Barcode	Size	Ctn	ea Exc
AS-8100	9312791001700	100m	6	\$12.45
AS-8500	9312791001717	50m	6	\$7.70

- Braided bricklayers line
- White in colour
- Line has built-in elasticity to help maintain tension and reduce sag
- Available in 50 & 100m lengths



AS-8100



TAPE DUCT

ASC-128 Code	Barcode	Size	Ctn	ea Exc
DT-50	93231497	48mm x 30m	60	\$5.65



DT-50



MT-36

TAPE MASKING

ASC-128 Code	Barcode	Size	Ctn	ea Exc
MT-24	721672002979	24mm x 50m	36	\$5.65
MT-36	721672002955	36mm x 50m	24	\$7.70
MT-48	721672003044	48mm x 50m	24	\$10.30



PT-36B

PT-36C

TAPE PACKING

ASC-128 Code	Barcode	Description	Size	Ctn	ea Exc
PT-36B	9315778992923	Brown Packing Tape Wallboard	36mm x 75m	6	\$4.10
PT-36C	9315778992930	Clear Packing Tape Wallboard	35mm x 75m	6	\$4.10

TAPE MEASURES

10-8025

- Lightweight high strength plastic case
- Toggle lock holds blade securely at any length
- Belt clip included



Yellow Blade



Metric



ELW145SI

- Vertical printed numbers
- Superior accuracy



White Blade



Metric



FL418SI

- Lightweight, high strength, plastic case in high visibility fluoro colour
- Toggle lock holds blade at any length
- Removable belt clip
- Blade edge marked one side in continuous mm with the other marked each 5mm



Yellow Blade



Metric

- "Design Your Own" customised tapes min buy of 36
- Supply us your branding and we will make this product your own with a high resolution copy of your company logo and details



HB-8025



Yellow Blade



Metric



XL-410M

- Lightweight high strength plastic case
- Toggle lock holds blade securely at any length
- Belt clip included



White Blade



Metric

ASC-128 Code	Barcode	Description	Size	Ctn	ea Exc
10-8025	9315778992251	Wallboard Trade Tape Measure	8m x 25mm	12	\$9.95
ELW145SI	9337103270032	Ezy Read Tape Measure Lufkin	8m x 25mm	10	\$46.80
FL418SI	9337103001928	Flurolock Tape Measure Lufkin	8m x 25mm	10	\$43.35
XL-410M	9337103000844	Locking Tape Measure Lufkin	10m x 25mm	8	\$66.30
HB-8025	9315778996013	"Design your own" Tape Measure	8m x 27mm	36	\$19.20

TAPING KNIVES BLUE STEEL



Flexible Blue Steel



Textured Plastic Handle



Made in USA



JKL-14

LONG HANDLED SERIES WALLBOARD

ASC-123
Code



Barcode



Size



Ctn



ea Exc

JKL-10

9315778001458

250mm

6

\$40.90

- 450mm long handle
- Female thread

JKL-12

9315778001465

300mm

6

\$44.30

JKL-14

9315778001472

350mm

6

\$46.55

WOODEN HANDLE SERIES WAL-BOARD USA



Flexible Blue Steel



Traditional Wooden Handle



Made in USA



Size



Ctn



ea Exc

JK-08

049727180022

200mm

6

\$26.30

JK-10

049727180039

250mm

6

\$28.00

JK-12

049727180046

300mm

6

\$29.20

JK-14

049727180053

350mm

6

\$36.10

JK-18

049727180077

450mm

6

\$52.60

JK-24

049727180091

600mm

6

\$70.00



JK-14

PRO PROJECT SERIES HYDE



Flexible Blue Steel



Soft Grip



ASC-123
Code



Barcode



Size



Ctn



ea Exc

9223

079423092237

200mm

5

\$19.20

9233

079423092336

250mm

5

\$20.60

9243

079423092435

300mm

5

\$22.25



9232



DURA-SOFT SERIES MARSHALLTOWN



ASC-123 Code	Barcode	Size	Ctn	ea Exc
3508D	035965043373	200mm	6	\$27.05
3510D	035965043380	250mm	6	\$28.90
3512D	035965043397	300mm	6	\$31.60
3514D	035965043410	350mm	6	\$34.90



Marshalltown
Dura-Soft®
Handle



Flexible
Blue Steel



Made in USA

PRO-GRIP SERIES WALLBOARD



Flexible
Blue Steel



Pro-Grip
Handle



Hammer
Head End

ASC-123 Code	Barcode	Size	Ctn	ea Exc
PK-08	9315778992480	200mm	6	\$10.15
PK-10	9315778992497	250mm	6	\$11.20
PK-12	9315778992503	300mm	6	\$11.75
PK-14	9315778994989	350mm	6	\$15.50



PK-12

TAPING KNIVES STAINLESS STEEL

PRO STAINLESS SERIES HYDE



Super Strong
Stainless
Steel



Soft
Grip

Code	Barcode	Size	Ctn	ea Exc
9323	079423093231	200mm	5	\$24.20
9333	079423093333	250mm	5	\$25.80
9343	079423093432	300mm	5	\$27.50



PLASTIC HANDLE SERIES WAL-BEARD USA

HRS-12



Stainless Steel
Blade



Textured Plastic
Handle

Code	Barcode	Size	Ctn	ea Exc
HRS-06	049727210361	150mm	6	\$15.15
HRS-08	049727210385	200mm	6	\$16.30
HRS-10	049727210408	250mm	6	\$18.75
HRS-12	049727210422	300mm	6	\$19.85
HRS-14	049727210446	350mm	6	\$21.65

WOODEN HANDLE SERIES WAL-BEARD USA



Tough Stainless
Steel



Traditional
Wooden Handle



Made in USA

SK-12

Code	Barcode	Size	Ctn	ea Exc
SK-08	049727200010	200mm	6	\$24.50
SK-10	049727200027	250mm	6	\$27.30
SK-12	049727200034	300mm	6	\$31.45





DURA-SOFT SERIES MARSHALLTOWN



Super Strong
Stainless Steel



Marshalltown
Dura-Soft®
Handle

AWC-125
Code

3508SD
3510SD
3512SD
3514SD

Barcode

035965043212
035965043236
035965043250
035965043274

Size

200mm
250mm
300mm
350mm

Ctn

6
6
6
6

ea Exc

\$30.75
\$32.80
\$34.80
\$38.75

PRO-GRIP SERIES WALLBOARD



Super Strong
Stainless
Steel



Rubber
Handle



Hammer
Head End

AWC-125
Code

PKS-08
PKS-10
PKS-12
PKS-14

Barcode

9315778992565
9315778992572
9315778992589
9315778000109

Size

200mm
250mm
300mm
350mm

Ctn

6
6
6
6

ea Exc

\$11.00
\$12.00
\$12.65
\$16.55



PKS-12

PLASTIC TAPING TOOL

The Wallboard Plastic Taping Tool allows you to simultaneously apply joint tape and compound to flat joints.

- Beds tape in one easy step
- Adjustable nylon handle fits different hand sizes
- Use with 75m & 150m rolls of paper tape and 75m rolls of FibreFuse joint tape
- Stainless gears automatically grip and dispense tape onto surface
- Control knob allows you to get an accurate and consistent coating of mud under the tape
- Can be fitted with Delko Internal Applicator Attachment for taping internal corner joints



ABC-123
Code
HT650

Barcode
9315778998888

Description
Wallboard Plastic Taping Tool

Ctn
6

ea Exc
\$74.30



2.25 litres



Tape Coat

THREAD ADAPTORS

UNI-1



15-349

This adaptor converts male to a female thread.

- Suits all telescopic extension handles

The Uni Adapter is designed for attaching many different types of tools to the end of an extension pole.

- Allows most tools with a hole in the handle to be attached to a pole handle (like joint and taping knives)
- Features a built-in locking mechanism that will hold tools at a desired angle
- Made in Australia from heavy duty plastic

ABC-124
Code

15-349

Barcode
9315778992954

UNI-1
9315778993753

Description
Thread Adaptor Plastic Wallboard

Uni Adaptor Wallboard

Ctn
6

12

ea Exc
\$5.65

\$17.75



TIN SNIPS



W-1R

- Lightweight and easy to use
- Comfortable rubber grips
- Serrated, stainless steel blades
- Hand size adjustment setting
- Safety lock
- Suitable for left and right handed use



Light Duty



Spring Return



Cuts Straight



W-3R

- Yellow and black rubber grip handle
- Compound lever action
- Safety latch



Heavy Duty



Spring Return



Cuts Straight



Heavy Duty

M-1R



Spring Return



Cuts Left & Straight



M-3R



Heavy Duty



Spring Return



Cuts Straight



M-2R

- Tough wear-resistant steel to withstand the severe strain of cutting curves
- Plastic grips for added comfort and safety
- Cuts up to 1.2mm sheet metal



Heavy Duty



Spring Return



Cuts Right & Straight

ABC-100 Code

Barcode

Description

Ctn

ea Exc

W-1R	9315778001113
W-3R	9315778995382
M-1R	9337103701260
M-2R	9337103701284
M-3R	9337103701307

Light Duty Straight Cut Tin Snips Wallboard	12	\$22.15
Straight Cut Tin Snips with holster Wallboard	12	\$14.95
Left & Straight Cut Tin Snips Wiss	12	\$51.60
Right & Straight Cut Tin Snips Wiss	12	\$51.60
Straight Cut Tin Snips Wiss	12	\$47.25



13-742

TRESTLES

- Strong and durable steel construction
- Intermediate cross bars for lower working platforms
- Hinges that fold for convenient carrying
- Available in sizes 900, 1200, 1500 & 1800mm

ABC-100 Code

Barcode

Size

Ctn

ea Exc

13-740	9315778990370	900mm	1	\$93.00
13-742	9315778990240	1200mm	1	\$104.65
13-743	9315778996822	1500mm	1	\$130.65
13-744	9315778990172	1800mm	1	\$169.35



Safety Certificates Available

TROWELS

CURVED CARBON STEEL 200MM BLADE

- Carbon steel
- Curved blade
- 200mm long



WBC-200



Carbon Steel



Plastic Handle



WTC-200



Carbon Steel



Rubber Handle



CS-08



Made in Australia



Textured Plastic Handle



Carbon Steel

ASC-123

Code



Barcode

Description



Ctn



ea Exc

WTC-200	9315778998680	Wallboard Trowel with Pro-Grip Handle	6	\$18.00
WBC-200	9315778990936	Wallboard Trowel with Plastic Handle	10	\$37.00
CS-08	9312791800259	Century Trowel with Plastic Handle	5	\$133.60

CURVED CARBON STEEL 280MM BLADE

- Curved carbon steel blade
- 280mm in length



Carbon Steel



Plastic Handle



WBC-280



Plastic Tang



WTC-280



Carbon Steel



Rubber Handle



CS-11



Made in Australia



Carbon Steel



Textured Plastic Handle



318-11



Made in Italy



Carbon Steel



Plastic Handle

ASC-123

Code



Barcode

Description



Ctn



ea Exc

WTC-280	9315778998727	Trowel Pro-Grip Handle Wallboard	6	\$19.45
WBC-280	9315778990943	Trowel Plastic Handle Wallboard	10	\$39.65
318-11	9312791009355	Trowel Plastic Handle Ragni	10	\$45.30
CS-11	9312791800266	Trowel Plastic Handle Century	5	\$148.55



CURVED STAINLESS STEEL 200MM BLADE

- Curved blade style
- Robust stainless steel blade with alloy tang
- 200mm long



WTC-200S



Rubber Handle



Stainless Steel



CS-08-S



Plastic Handle



Stainless Steel



Made in Australia

Code	Barcode	Description	Ctn	ea Exc
WTC-200S	9315778998673	Wallboard Trowel with Pro-Grip Handle	6	\$25.10
CS-08-S	9312791024785	Century Trowel with Plastic Handle	5	\$151.00

CURVED STAINLESS STEEL 280MM BLADE

- Curved blade for crowning plaster joints
- Stainless steel with alloy tang
- 280mm long blade



CS-11-S



Made in Australia



Plastic Handle



Stainless Steel



WTC-280S



Rubber Handle



Stainless Steel

Code	Barcode	Description	Ctn	ea Exc
WTC-280S	9315778998710	Wallboard Trowel with Pro-Grip Handle	6	\$28.35
CS-11-S	9312791800433	Century Trowel with Plastic Handle	5	\$151.00

STRAIGHT CARBON STEEL 200MM BLADE

- Robust straight blade
- Carbon steel
- 200mm long blade



WTS-200



Carbon Steel



Rubber Handle



Plastic Handle



Carbon Steel



Plastic Tang



WBS-200



Carbon Steel



Plastic Handle



Made in Australia

Code	Barcode	Description	Ctn	ea Exc
WTS-200	9315778998666	Wallboard Trowel with Pro-Grip Handle	6	\$14.60
WBS-200	9315778998950	Wallboard Trowel with Plastic Handle	10	\$39.55
119-8	9312791800235	Century Trowel with Plastic Handle	5	\$135.85

STRAIGHT CARBON STEEL 280MM BLADE

- Straight trowel blade
- Carbon steel
- 280mm long



119-F



Carbon Steel



Plastic Handle



WTS-280



Carbon Steel



Rubber Handle



WBS-280



Carbon Steel



Plastic Tang



Plastic Handle



131-OOR



Carbon Steel



Rubber Handle



139



Carbon Steel



Made in Australia



Rubber Handle



318



Carbon Steel



Made in Italy



Plastic Handle



418



Made in Italy



Carbon Steel



Rubber Handle



MXS-3



Made in USA



Carbon Steel



Wooden Handle



MXS-3D



Carbon Steel



Made in USA



Marshalltown Dura-Soft® Handle

Code	Barcode
WTS-280	9315778998703
WBS-280	9315778992800
119-F	9312791800242
131-OOR	5012095048701
139	9312791800945
318	8006415011107
418	8006415271105
MXS-3	035965021289
MXS-3D	035965034593

Description	Ctn	ea Exc
Wallboard Trowel with Pro-Grip Handle	6	\$16.20
Wallboard Trowel with Plastic Handle	10	\$40.75
Century Trowel with Plastic Handle	5	\$146.70
Tyzack Trowel with Rubber Handle	6	\$95.50
Truline Trowel with Rubber Handle	5	\$179.30
Ragni Trowel with Plastic Handle	6	\$28.05
Ragni Trowel with Rubber Handle	6	\$37.00
Marshalltown Trowel with Wooden Handle	1	\$75.45
Marshalltown Trowel with Dura-Soft Handle	1	\$84.00



STRAIGHT CARBON STEEL 350MM BLADE

- Durable straight blade
- Flexible carbon steel
- 350mm long



Carbon Steel



Plastic Handle



Made in Italy



Code	Barcode	Description	Ctn	ea Exc
325	8006415054302	Ragni Trowel with Plastic Handle	6	\$33.45

325

STRAIGHT CARBON STEEL 355MM BLADE

- Carbon steel
- Robust straight blade
- 355mm in length



MXS-73D



Made in USA



MXS-73



Made in USA



Carbon Steel



Marshalltown Dura-Soft® Handle



Carbon Steel



Wooden Handle



PP-169



Carbon Steel



Rubber Handle



Made in Australia

Code	Barcode	Description	Ctn	ea Exc
MXS-73	035965032322	Marshalltown Trowel with Wooden Handle	1	\$81.90
MXS-73D	035965032339	Marshalltown Trowel with Dura-Soft Handle	1	\$90.75
PP-169	9312791800990	Truline Trowel with Rubber Handle	6	\$216.25

STRAIGHT CARBON STEEL 400MM BLADE

- Premium carbon steel blade
- 400mm long



MXS-66D



Made in USA



Carbon Steel



Marshalltown Dura-Soft® Handle

Code

Barcode

Description

Ctn

ea Exc

MXS-66D

035965032490

Marshalltown Trowel with Dura-Soft Handle

1

\$96.95

STRAIGHT CARBON STEEL 450MM BLADE

- Carbon steel
- Straight trowel
- Long 450mm blade



Code	Barcode	Description	Ctn	ea Exc
46-450	9315778994361	Wallboard Trowel with Plastic Handle	4	\$62.45
MXS-77	035965032629	Marshalltown Trowel with Wooden Handle	1	\$89.80

STRAIGHT CARBON STEEL 500MM BLADE

- Robust straight blade
- Carbon steel
- 500mm long blade



Code	Barcode	Description	Ctn	ea Exc
46-500	9315778990820	Wallboard Trowel with Plastic Handle	4	\$68.55

STRAIGHT CARBON STEEL 600MM BLADE

- Straight blade
- Flexible carbon steel
- 600mm long



Code	Barcode	Description	Ctn	ea Exc
46-600	9315778990837	Trowel Plastic Handle Wallboard	4	\$84.60
MXS-245D	035965031998	Marshalltown Trowel with Dura-Soft Handle	1	\$117.35



STRAIGHT STAINLESS 200MM BLADE

- Straight blade
- Strong stainless steel
- 280mm long blade

WTS-200S



119-8-S



Made in Australia



Stainless Steel



Stainless Steel



Rubber Handle



Plastic Handle

Code	Barcode	Description	Ctn	ea Exc
WTS-200S	9315778998659	Wallboard Trowel with Pro-Grip Handle	6	\$20.30
119-8-S	9312791800426	Century Trowel with Plastic Handle	5	\$146.70

STRAIGHT STAINLESS 280MM BLADE

- Durable, straight stainless steel blade & alloy tang
- 200mm long

WTS-280S



Stainless Steel



BW-280S



Economical Quality



Stainless Steel



Rubber Handle



Plastic Handle

139-S



Rubber Handle

318-S



119-S



Made in Australia



Stainless Steel



Stainless Steel



Plastic Handle



Made in Australia



MXS-3SSD



Made in USA



Stainless Steel



Marshalltown Dura-Soft® Handle



Made in Italy



Stainless Steel



Plastic Handle

Code	Barcode	Description	Ctn	ea Exc
WTS-280S	9315778998697	Wallboard Trowel with Pro-Grip Handle	6	\$21.55
BW-280S	9315778993791	Wallboard Trowel with Plastic Handle	10	\$7.70
119-S	9312791800303	Century Trowel with Plastic Handle	5	\$157.55
139-S	9312791800983	Truline Trowel with Rubber Handle	5	\$190.15
318-S	8006415021106	Ragni Trowel with Plastic Handle	6	\$46.05
MXS-3SSD	035465034654	Marshalltown Trowel with Dura-Soft Handle	1	\$99.95

STRAIGHT STAINLESS 355MM BLADE

- Strong, straight stainless steel
- Alloy tang
- Long 355mm blade



355-S



Made in Australia



Stainless Steel



Textured Plastic Handle



WTS-355S



Stainless Steel



Marshalltown Dura-Soft® Handle



MXS-73SS



Made in USA



Stainless Steel



Wooden Handle



MXS-73SSD



Made in USA



Stainless Steel



Marshalltown Dura-Soft® Handle



PP-189



Made in Australia



Stainless Steel



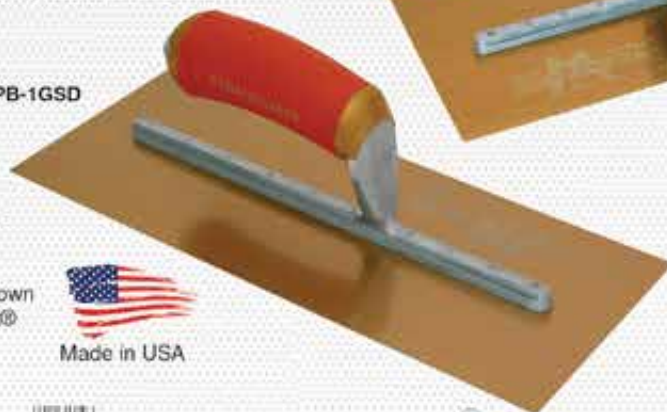
Rubber Handle

Code	Barcode	Description	Ctn	ea Exc
WTS-355S	9315778998864	Wallboard Trowel with Pro-Grip Handle	6	\$31.50
355-S	9312791800310	Century Trowel with Plastic Handle	5	\$173.90
MXS-73SS	035965034050	Marshalltown Trowel with Wooden Handle	1	\$104.25
MXS-73SSD	035965034449	Marshalltown Trowel with Dura-Soft Handle	1	\$113.00
PP-189	9312791801010	Truline Trowel with Rubber Handle	6	\$222.80

PERMA SHAPE GOLDEN STAINLESS STEEL

Marshalltown's premium quality Perma Shape range is pre broken in with machined edges.

PB-1GSD



Golden Stainless Steel



Marshalltown Dura-Soft® Handle



Made in USA



PB-145GSD

- Perma Shape guarantees trowel will maintain original broken-in shape
- Broken-in shape eliminates line and ripple marks right from the start
- Highest grade hardened and tempered golden stainless steel blade
- Aluminum alloy Xtralite® mounting is lightweight but very strong
- Stainless steel rivets

Code	Barcode	Description	Size	Ctn	ea Exc
PB-1GSD	035965034630	Marshalltown Broken-In Trowel with Dura-Soft Handle	280mm	1	\$110.60
PB-145GSD	035965034145	Marshalltown Broken-In Trowel with Dura-Soft Handle	350mm	1	\$124.10



UNI ADAPTOR

This Uni Adaptor is designed for attaching many different types of tools to the end of an extension pole.

- Features a built-in locking mechanism that will hold tools at a desired angle
- Made in Australia from heavy duty plastic
- Extend your taping knife - check pages 54-57 for our taping knife range



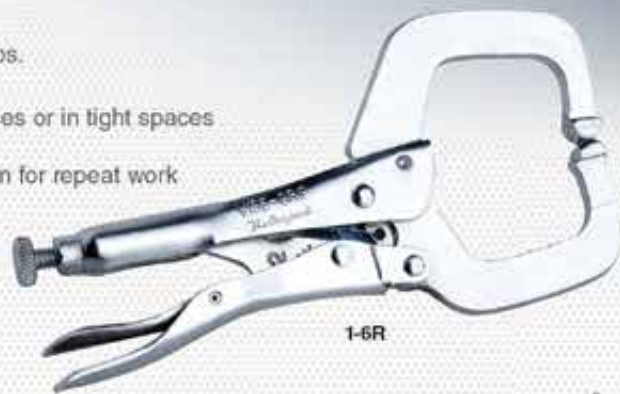
UNI-1

ABC-123 Code	Barcode	Ctn	ea Exc
UNI-1	9315778993753	12	\$17.75

WISE GRIPS

Get a quick grip with these handy Vice Grips.

- Excellent for working with smaller pieces or in tight spaces
- Locks and unlocks with one hand
- Once adjusted the tool stays in position for repeat work
- Length 150mm
- Jaw adjustment 0-50mm

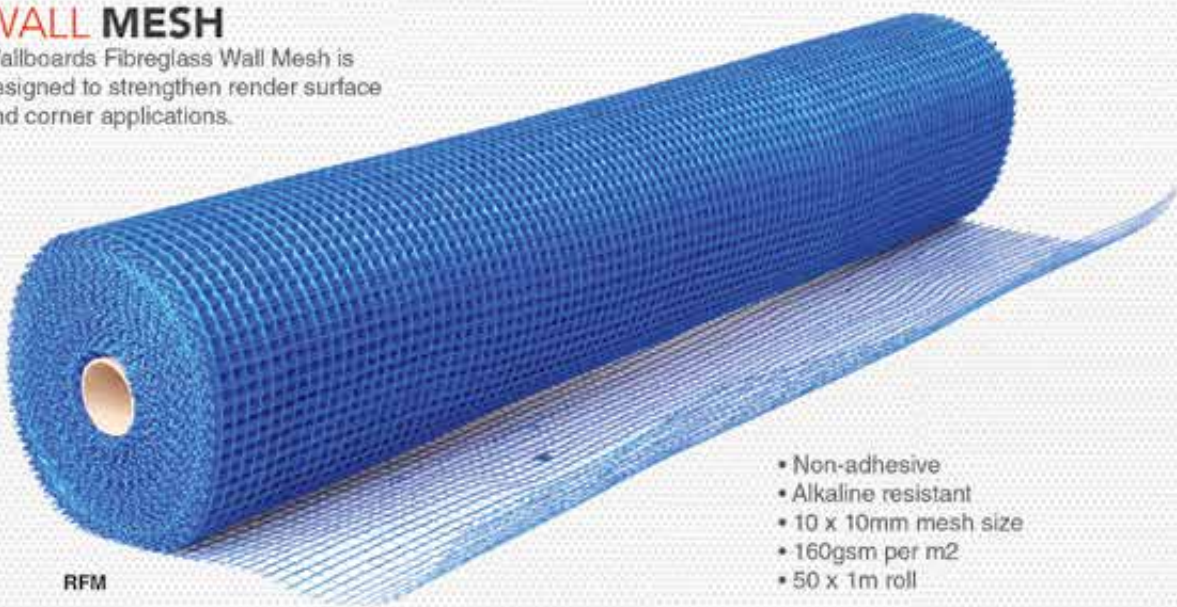


1-6R

ABC-123 Code	Barcode	Description	Size	Ctn	ea Exc
1-6R	38548000176	Vise Grips "C" Clamp Irwin	150mm	5	\$38.35

WALL MESH

Wallboards Fibreglass Wall Mesh is designed to strengthen render surface and corner applications.



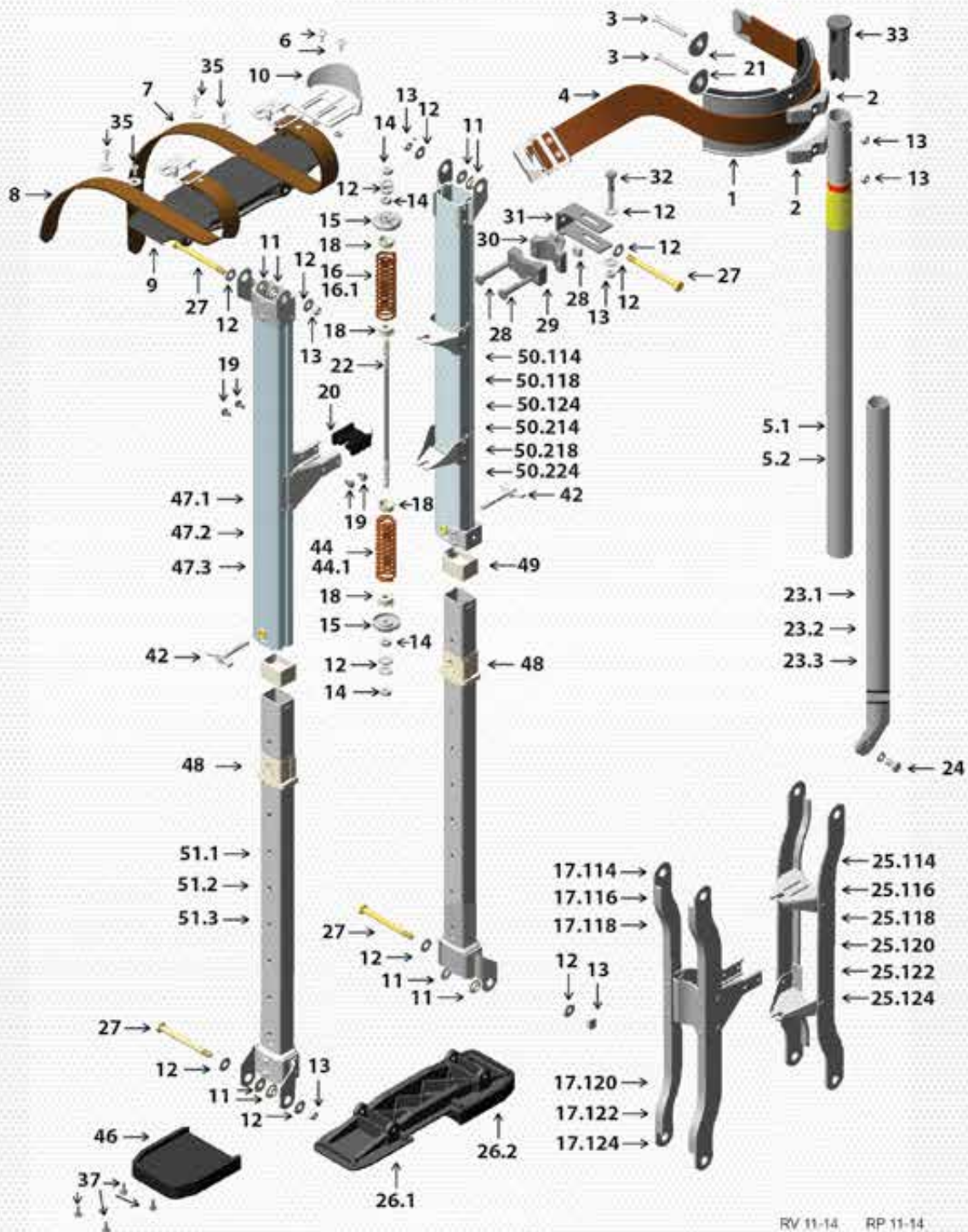
RFM

- Non-adhesive
- Alkaline resistant
- 10 x 10mm mesh size
- 160gsm per m2
- 50 x 1m roll

ABC-123 Code	Barcode	Description	Size	Ctn	ea Exc
RFM-10	9315778998055	Fibreglass Wall Mesh 160g/m ² 10x10 Reinforced	1m x 50m	2	\$127.70

DURA STILTS (III) DSD-1830 / DSD-2440

Spare Parts Diagram



RV 11-14 RP 11-14

Use only genuine Dura Stilts spare parts. Using other brands parts on Dura Stilts may affect the operation of the product and void warranty.

■ DURA STILTS (III) SPARE PARTS

Code	Description	\$ ea Exc	Code	Description	\$ ea Exc
DSP-1	Leg band with pad	\$15.75	DSP-34	Shoe mounting bolts & nuts - DS-III	\$6.40
DSP-2	Leg band spacer	\$4.20	DSP-35A	Strap mounting screw with washer	\$0.85
DSP-3	1/4-20 x 2" flat head Phillips screw with lock nut	\$1.25	DSP-36	No 8 strap washer	\$0.45
DSP-4	Leg strap and buckle	\$18.60	DSP-37A	No 8 x 1/2" screw	\$0.90
DSP-5A	1 1/8 O.D upper strut tube (DSD-1422 & DSD-1830)	\$21.30	DSP-37B	No 8 x 3/8 screw	\$0.80
DSP-5B	1 1/8 O.D upper strut tube (DSD-2440)	\$22.25	DSP-42	Wing bolt	\$5.85
DSP-6	Truss head screw with nut	\$0.90	DSP-44	Lower coil spring (light brown)	\$7.05
DSP-7	Arch/toe strap	\$16.85	DSP-45	Entire spring assembly	\$42.75
DSP-9	Floor plate	\$37.10	DSP-46A	Replacement rubber sole with screws	\$14.35
DSP-10	Adjustable heel bracket	\$13.35	DSP-46B	Replacement rubber sole	\$13.00
DSP-11	Nylon leg bearing	\$1.25	DSP-47A	Forward adjustable leg (DSD-1422)	\$53.45
DSP-12	1/4" flat washer	\$0.80	DSP-47B	Forward adjustable leg (DSD-1830)	\$60.00
DSP-13	1/4-20 lock nut	\$1.60	DSP-47C	Forward adjustable leg (DSD-2440)	\$68.60
DSP-14	1/4-20 hex nut	\$0.80	DSP-48	Large nylon extension tube sleeve (lower)	\$14.45
DSP-15	Spring adjuster	\$8.00	DSP-49	Small nylon extension tube sleeve (upper)	\$10.10
DSP-16	Upper coil spring with bearings (dark brown)	\$7.10	DSP-50A-1	Left rear adjustable leg (DSD-1422)	\$60.25
DSP-18	Nylon spring bearing	\$1.40	DSP-50A-2	Right rear adjustable leg (DSD-1422)	\$60.25
DSP-19	No 8 X 3/8 self threading - DS-III	\$0.90	DSP-50B-1	Left rear adjustable leg (DSD-1830)	\$68.25
DSP-20	Spring divider	\$7.15	DSP-50B-2	Right rear adjustable leg (DSD-1830)	\$68.25
DSP-21	Large leg band support washer - DS-III	\$1.25	DSP-50C-1	Left rear adjustable leg (DSD-2440)	\$74.20
DSP-22	1/4 X 7 7/8 stud bolt threaded	\$7.40	DSP-50C-2	Right rear adjustable leg (DSD-2440)	\$74.20
DSP-23A	1" o.d. lower strut tube (DS4-1422)	\$21.45	DSP-51A	Extension tube (DSD-1422)	\$56.85
DSP-23B	1" o.d. lower strut tube (DS4-1830)	\$23.30	DSP-51B	Extension tube (DSD-1830)	\$60.15
DSP-23C	1" o.d. lower strut tube (DS4-2440)	\$25.10	DSP-51C	Extension tube (DSD-2440)	\$60.15
DSP-24	1/4-20 x 9/16" hex bolt, washer & lock nut	\$1.65	DSP-54A	Strap mounting bolt package	\$6.80
DSP-26A	Floor plate only	\$37.15	DSP-55A	Sole mounting screw package	\$8.80
DSP-26B	Floor plate with soles mounted	\$63.50	DRK01	Leg Strap Replacement Kit	\$32.25
DSP-27	1/4-20 x 3-1/8" cap screw	\$2.55	DRK02	Foot Strap Replacement Kit	\$57.60
DSP-28	1/4-20 x 5/8 cap screw with DS-III	\$1.00	DRK03	Nylon Sleeve Replacement Kit	\$80.60
DSP-29	Tube clamp (A) - DS-III	\$5.30	DRK04	Coil Spring Replacement Kit	\$23.05
DSP-30	Tube clamp (B) - DS-III	\$6.70	DRK05	Spring Assembly Kit	\$71.40
DSP-31	Clamp bracket - DS-III	\$5.70	DRK07	Sole Replacement Kit	\$50.70
DSP-32	1/4-20 x 5/8 cap screw with - DS-III	\$1.10	DRK09	Wing Bolt Replacement Kit	\$18.40
DSP-33	Upper strut tube cap/plug - DS-III	\$4.00	DRK10	Foot Plate Assembly Kit	\$82.90



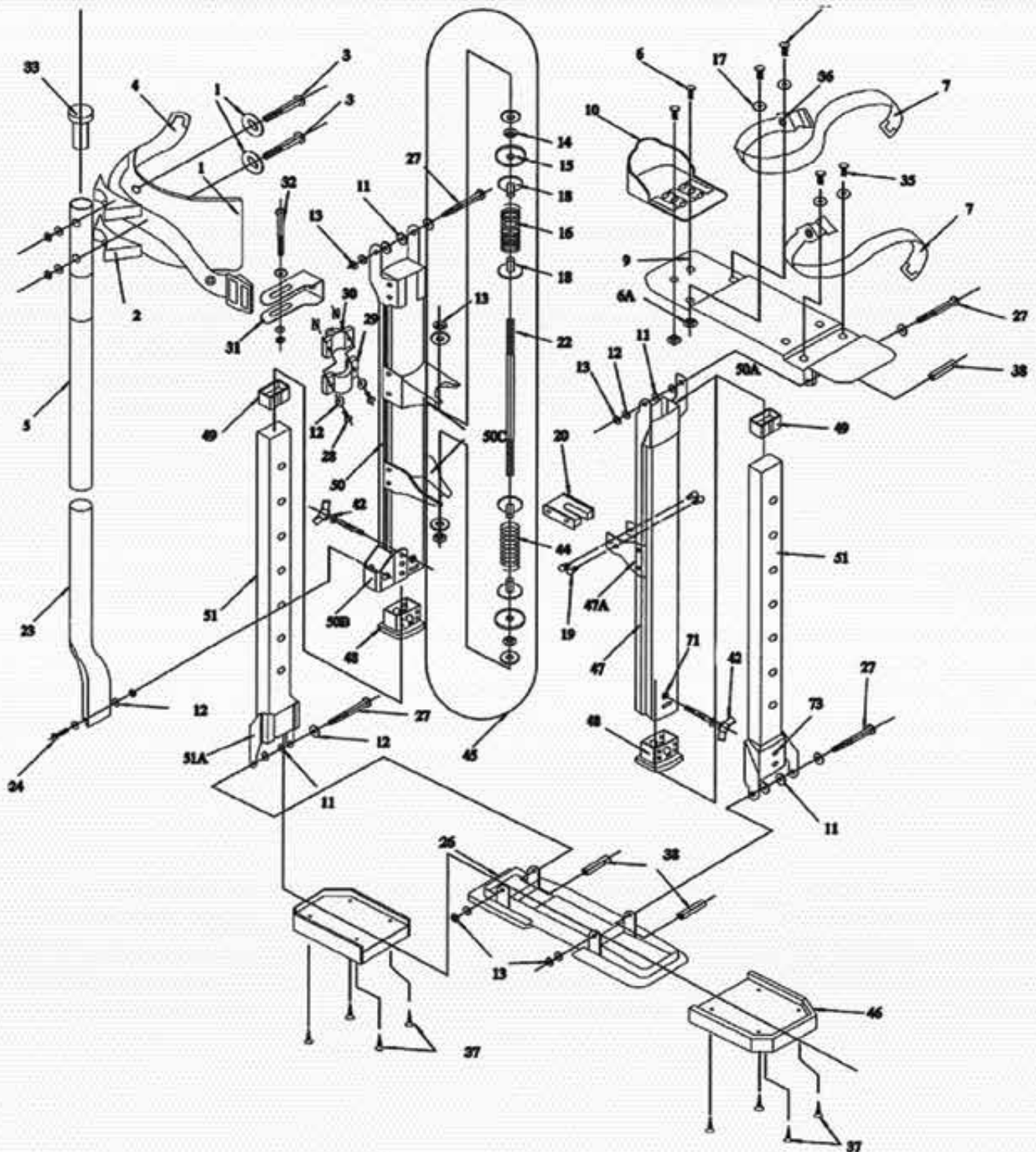
■ Stilt height adjustable every 50mm



■ Upper foam rubber leg pads are comfortable on the calf

WALLBOARD STILTS WS-1830 / WS-2440

Spare Parts Diagram



Use only genuine Wallboard Stilts spare parts. Using other brands parts on Wallboard Stilts may affect the operation of the product and void warranty.

■ WALLBOARD STILTS SPARE PARTS

Code	Description	\$ ea Exc	Code	Description	\$ ea Exc
WSP-1	Leg band with pads	\$11.35	WSP-26	Nylon floor plate	\$19.00
WSP-2	Leg band spacer	\$3.15	WSP-27	1/4"-20*3 1/8" cap screw	\$1.60
WSP-3	1/4"-20*2 1/16" flat head screw with lock nut	\$0.70	WSP-29	Round-lock tube clamp left	\$5.05
WSP-4	Leg strap and buckle	\$0.90	WSP-30	Round-lock tube clamp right	\$5.65
WSP-5-1830	1 1/8" upper strut tube (WS-1830)	\$15.60	WSP-31	Metal clamp bracket 2mm	\$4.15
WSP-5-2440	1 1/8" upper strut tube (WS-2440)	\$15.80	WSP-33	Upper strut tube clamp plug	\$2.05
WSP-6	No 10 10-24*1/2 machine screw with nut	\$0.45	WSP-35	Strap mounting screw	\$0.40
WSP-6A	1/4"-20*3/16 nylon lock nut	\$0.55	WSP-36	Strap washer	\$0.27
WSP-7	Arch strap with buckle	\$9.10	WSP-37	Sole mounting screw	\$0.38
WSP-9	Nylon foot plate	\$17.60	WSP-38	Strap mounting nylon sleeve	\$0.38
WSP-10	Adjustable heel bracket	\$6.35	WSP-42	1/4"-20*1 9/16" wing bolt	\$4.60
WSP-11	Nylon leg bearing	\$0.55	WSP-44	Lower coil spring (Zinc plated)	\$3.25
WSP-12	1/4" flat washer	\$0.17	WSP-45	Entire spring assembly	\$29.40
WSP-13	1/4"-20*H8 nylon lock nut	\$0.38	WSP-46	Replacement sole with screws	\$8.65
WSP-14	1/4"-20*H5 hex nut	\$0.38	WSP-48	Downward large nylon sleeve	\$5.50
WSP-15	Spring adjuster	\$3.10	WSP-49	Upward small nylon sleeve	\$5.15
WSP-16	Upper coil spring (dark brown)	\$4.75	WSP-50-18F	Inter-lock front outward leg extension (WS-1830)	\$36.30
WSP-17	3/4**7/32" strap mounting metal plate	\$0.38	WSP-50-18L	Inter-lock rear outward leg extension left (WS-1830)	\$47.80
WSP-18	3/8" self threading screw	\$0.65	WSP-50-18R	Inter-lock rear outward leg extension right (WS-1830)	\$47.80
WSP-19	3/8" self threading screw	\$0.38	WSP-50-24F	Inter-lock front outward leg extension (WS-2440)	\$38.60
WSP-20	Spring divider	\$4.80	WSP-50-24L	Inter-lock rear outward leg extension left (WS-2440)	\$52.45
WSP-21	1 2/16**5/16**1/16" large leg band washer	\$0.65	WSP-50-24R	Inter-lock rear outward leg extension right (WS-2440)	\$52.45
WSP-22	1/4 X 7 7/8 stud bolt threaded	\$4.00	WSP-51-1830	Inner extension tube (WS-1830)	\$28.80
WSP-23-1830	Inter-lock 1" O.D lower strut tube (WS-1830)	\$17.95	WSP-51-18l	Inner leg extension tube (WS-1830)	\$35.55
WSP-23-2440	Inter-lock 1" O.D lower strut tube (WS-2440)	\$18.65	WSP-51-2440	Inner extension tube (WS-2440)	\$32.30
WSP-24	1/4"-20*1 9/16" half-threaded cap screw	\$0.95	WSP-51-24l	Inner leg extension tube (WS-2440)	\$37.45



■ Locking strap buckles for comfort and safety



■ Comfortable, padded leg bands



■ Stilt height adjustable every 50mm



■ Upper and lower coil springs for more natural movement

SKYWALKER STILTS

SWS-1830 / SWS-2440

Spare Parts



■ SKYWALKER MODEL 2.1 STILT SPARE PARTS

Code	Description	\$ ea Exc
SWP-21FS903	Foot Strap Pack	\$110.25
SWP-21UFBL	Upper Footbase Assembly - Left	\$285.35
SWP-21UFBR	Upper Footbase Assembly - Right	\$285.35
SWP-21CCB	Replacement Cuff Post Supports	\$90.80
SWP-21ECBL	Extrusion Clamp Replacement - Left	\$39.70
SWP-21ECBR	Extrusion Clamp Replacement - Right	\$39.70
SWP-21FBHDW	Upper Footbase Hardware Kit	\$50.25
SWP-21CP	Cuff Post	\$56.75
SWP-21LAL	Lock Assembly Replacement - Left	\$119.85
SWP-21LAR	Lock Assembly Replacement - Right	\$119.85
SWP-21LE18L	1830 Leg Extrusion Assembly - Left	\$300.50
SWP-21LE18R	1830 Leg Extrusion Assembly - Right	\$300.50
SWP-21LE24L	2440 Leg Extrusion Assembly - Left	\$324.20
SWP-21LE24R	2440 Leg Extrusion Assembly - Right	\$324.20

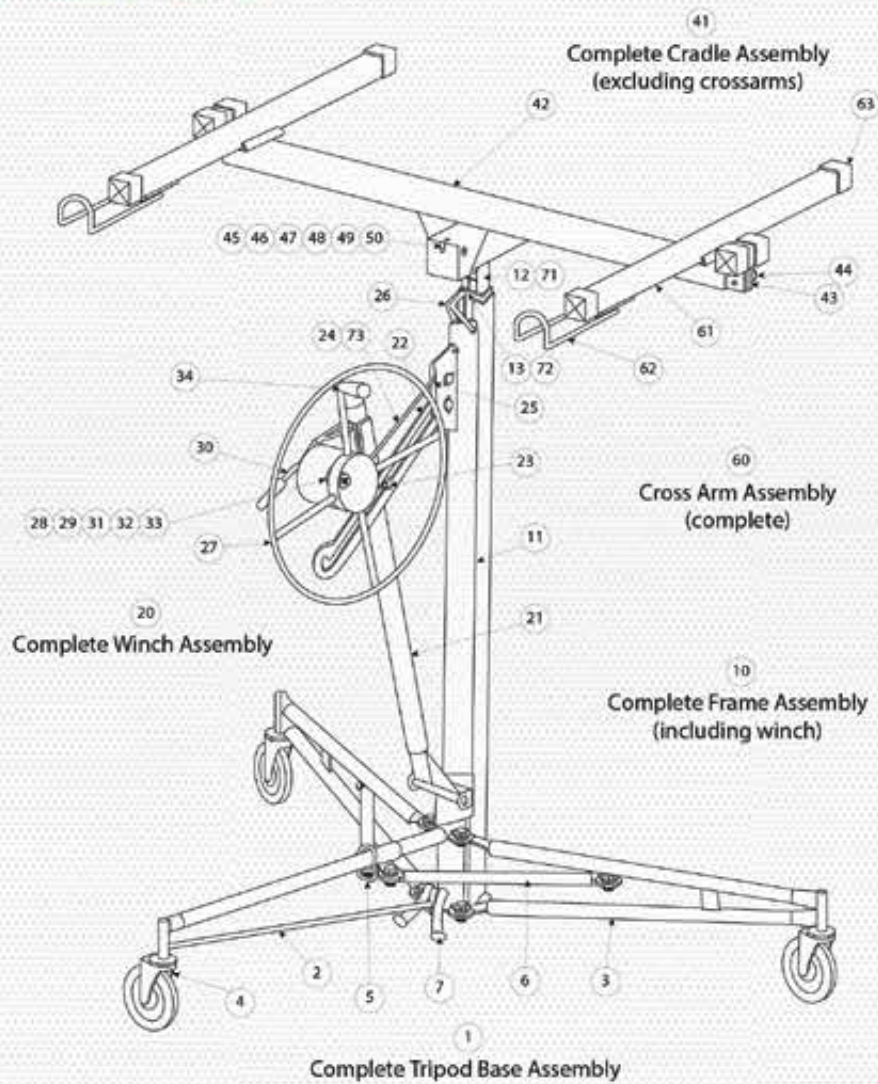


Use only genuine Skywalker Stilts spare parts. Using other brands parts on Skywalker Stilts may affect the operation of the product and void warranty.



WALLBOARD SHEET LIFTER PL-3350

Spare Parts Diagram



WALLBOARD SHEET LIFTER SPARE PARTS

Code	Description	\$ ea Exc	Code	Description	\$ ea Exc
PL-01	Tripod base assembly complete	\$154.00	PL-31	Brake lining with fasteners	\$3.25
PL-02	Centre leg with fasteners	\$21.75	PL-32	Brake arm tension spring	\$3.25
PL-03	Outer leg with fasteners	\$21.75	PL-33	Brake hub with bolts	\$4.35
PL-04	Caster	\$21.75	PL-34	Winch wheel handle	\$7.60
PL-05	Tension spring - slide yoke ring	\$2.00	PL-41	Cradle assembly complete	\$130.30
PL-06	Tie arm with fasteners	\$7.65	PL-42	Cradle body	\$54.15
PL-07	Rubber backstop	\$3.25	PL-43	Outrigger lock pin with spring and clip	\$11.95
PL-10	Frame assembly complete with winch assembly	\$216.30	PL-44	Outrigger with end caps	\$18.50
PL-11	Frame housing	\$87.00	PL-45	Cradle mounting head assembly complete	\$15.35
PL-12	Telescoping section - inner	\$63.10	PL-46	Mounting head body	\$3.25
PL-13	Telescoping section - outer with pulley	\$66.30	PL-47	Cradle tilt latch with fasteners	\$2.25
PL-20	Winch assembly complete	\$191.45	PL-48	Tension spring	\$3.80
PL-21	Winch post with pin and fasteners	\$39.15	PL-49	Compression spring	\$2.25
PL-22	Slide bar with axle and pin	\$10.90	PL-50	Hinge pin with bolts	\$1.75
PL-23	Slide bar lock with fasteners	\$13.10	PL-60	Crossarm assembly complete	\$89.75
PL-24	Cable	\$38.00	PL-61	Crossarm body	\$38.75
PL-25	Cable pulley with axle and pins	\$5.40	PL-62	Panel support hook with fasteners	\$3.40
PL-26	Retaining hook	\$3.25	PL-63	Crossarm end cap	\$3.20
PL-27	Winch wheel with flange bearings	\$38.00	PL-1200	Panel Lift Extension 1200mm	\$288.10
PL-28	Bushing	\$3.25	PL-71	Extension telescoping section - inner	\$201.00
PL-29	Bolt with nut and washer	\$5.45	PL-72	Extension telescoping section - outer with pulley	\$266.30
PL-30	Brake arm assembly	\$10.90	PL-73	Extension cable	\$45.10

Use only genuine Wallboard Sheet Lifter spare parts. Using other brands parts on Wallboard Sheet Lifter may affect the operation of the product and void warranty.