

VINYL & CORK UNDERLAY

FLOORING SUBSTRATE



Build it better with **BGC**

BGC

Fibre Cement

PRODUCT DESCRIPTION & INFORMATION

Vinyl & Cork Underlay sheets have been designed, tested and manufactured to provide a smooth, durable and completely termite and rodent proof surface on which to lay vinyl & cork. The sheets are also immune to water damage and will not swell. Vinyl and Cork Underlay sheets can also be used under parquetry.

Vinyl & Cork Underlay sheets are manufactured to comply with Australian Standards AS2908.2 Cellulose Cement Products - Part 2 Flat Sheets. They are also referred to in AS1884 Floor Coverings Resilient Sheet and Tiles - Laying and Maintenance Practices.

FIRE RESISTANCE

Vinyl & Cork Underlay fibre cement sheet is non-combustible (Building Code of Australia).

The Early Fire Hazard Indices in accordance with AS1530.3 are:

// Ignitability	0
// Heat Evolved	0
// Spread of Flame	0
// Smoke Developed	0 – 1

HEALTH AND SAFETY

As manufactured, the product will not release airborne dust. However during drilling, cutting and sanding operations cellulose fibres, silica and calcium silicate dust may be released. Breathing in fine silica dust is hazardous and prolonged exposure (usually over several years), may cause bronchitis, silicosis or cancer.

QUALITY SYSTEMS

Vinyl & Cork Underlay sheets are manufactured under the rigorous Quality Management System of the International Standard ISO 9001. BGC Fibre Cement is the holder of Licence Agreement number QEC2955/13.

SIZE AND WEIGHT

THICKNESS (mm)	WEIGHT kg/m ²	WIDTH (mm)	LENGTH (mm)
			1200
5	7.5	900	✓

HANDLING AND STORAGE

Vinyl & Cork Underlay sheets must be stacked flat, up off the ground and supported on level bearers. The sheets must be kept dry, preferably by being stored inside a building. When stored outdoors they must be protected from the weather.

Care should be taken to avoid damage to the ends, edges and surfaces. Sheets must be dry prior to being fixed, or sealed.

SHEET TOLERANCES

// Width	+0/-1mm
// Length	+0/-2mm
// Thickness	+10%/-0%
// Diagonals Difference	(Max) 2mm
// Edge Straightness	(Max) 1mm

CUTTING AND DRILLING

Vinyl & Cork Underlay sheets may be cut to size on site. If using power tools for cutting, drilling or sanding they must be fitted with appropriate dust collection devices or alternatively an approved (P1 or P2) dust mask shall be worn. It is recommended that work always be carried out in a well-ventilated location.

The most suitable cutting methods are:

// DURABLADE

180mm diameter. This unique cutting blade is ideal for cutting fibre cement. It can be fitted to a 185mm circular saw, ie. Makita or similar. Please ensure safe working practices when using.



// HAND GUILLOTINE

Cut on the off-cut side of the line to allow for the blade thickness.

// DRILLING

Use normal high-speed drill bits. Do not use the drill's hammer function. For small round holes such as floor drains and water pipes, a hole-saw is recommended. For other penetrations, drill a series of small holes around the perimeter of the cut out. Tap out the waste piece from the sheet face with a hammer while supporting the underside of the opening to avoid damage. Clean rough edges with a rasp.

PREPARATION

Vinyl & Cork Underlay is intended for domestic application only. For other applications, please consult with your local BGC Fibre Cement office.

Prior to fixing sheets, the ventilation under the floor should be checked. Any underfloor area should be dry and remain free from damp. It is essential that the floor and floor boards are flat before the underlay is fixed. Rough sanding by a qualified tradesman is required. Bearers must be in contact with the piers. If they aren't they should be packed to ensure there is no perceivable spring in the floor. The floor should be clean and dry prior to fixing the underlay sheets.

Vinyl & Cork Underlay is not to be used on concrete slabs.

INSTALLATION OF FLOOR COVERINGS

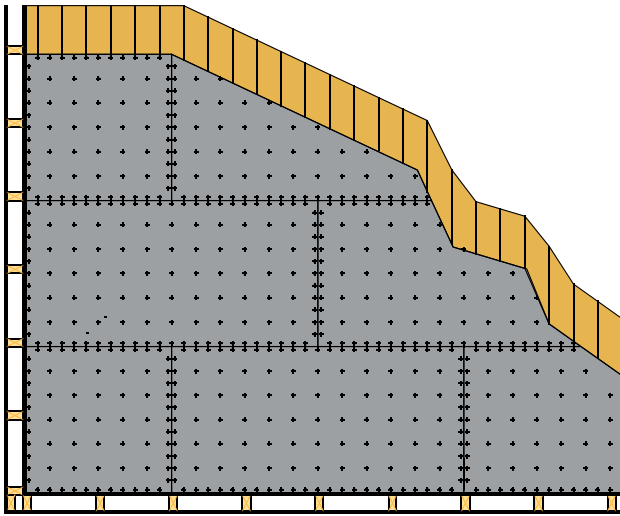
Prior to the installation of floor coverings, the floor must be made level. All sheet joints and any raised areas should be flush-sanded and thoroughly clean. If cork is to be laid, the underlay sheet joints should be sealed with PVA Acrylic Sealant. Lay vinyl, cork or parquetry according to manufacturer's recommendations.

SHEET LAYOUT

A few minutes spent planning the job will generally pay dividends in reduced cutting and wastage. For a simple layout, place a run of loose sheets across the area, followed by a line of loose sheets down the area. The sheet edges can be overlapped as required to mimic the location of cuts. An inspection of the laid out sheets will enable the optimum cutting and joining positions to be established. (At 1200mm x 900mm the sheets are easily managed).

Sheets are to be laid with the long edges perpendicular to the direction of the floor boards. Joints in the sheets must not coincide with floorboard joints. The joints of the sheets must be staggered. Refer to fig.1

FIGURE 1 //
SHEET LAYOUT



Note: Underlay sheets to run perpendicular to floorboards. Stagger joints in underlay sheets

SHEET LAYOUT CONTINUED

We warrant that our products are free from defects caused by faulty manufacture or materials for a period of 15 years from the date of purchase. If you acquire any defective products, we will repair or replace them, supply equivalent replacement products or refund the purchase price within 30 days of receiving a valid claim subject to product inspection and confirmation of the existence of a defect by BGC. We will bear the cost of any such repair, replacement or refund.

THIS WARRANTY IS GIVEN BY:

BGC Fibre Cement Pty Ltd
121 Bannister Rd Canningvale WA 6155
Phone 08 9334 4900 Fax 08 9334 4749

To claim under this warranty, you must provide proof of purchase as a consumer and make a written claim (including any costs of claiming) to us at the address specified above within 30 days after the defect was reasonably apparent, or if the defect was reasonably apparent prior to installation, the claim must be made prior to installation. You may not claim under this warranty for loss or damage caused by:

- // faulty or incorrect installation by non-BGC installers (BGC's installation procedures are at www.bgcinnovadesign.com.au);
- // failure to comply with the Building Code of Australia or any applicable legislation, regulations approvals and standards;
- // products not made or supplied by BGC;
- // abnormal use of the product; or
- // normal wear and tear.

The benefits available under this warranty are in addition to other rights and remedies of the consumer under the law. Our goods come with guarantees that cannot be excluded under the Australian Consumer Law. You are entitled to a replacement or refund for a major failure and for compensation for any other reasonably foreseeable loss or damage. You are also entitled to have the goods repaired or replaced if the goods fail to be of acceptable quality and the failure does not amount to a major failure.

// Prior to fixing, sheets should be checked that they are dry and free from dust, dirt, oil and grease. Ensure that sheets are butted against one another.

// If possible, try and keep cut edges towards the walls.

// Sheet edges should be kept approximately 3mm from the wall and any protrusions such as cupboards etc.

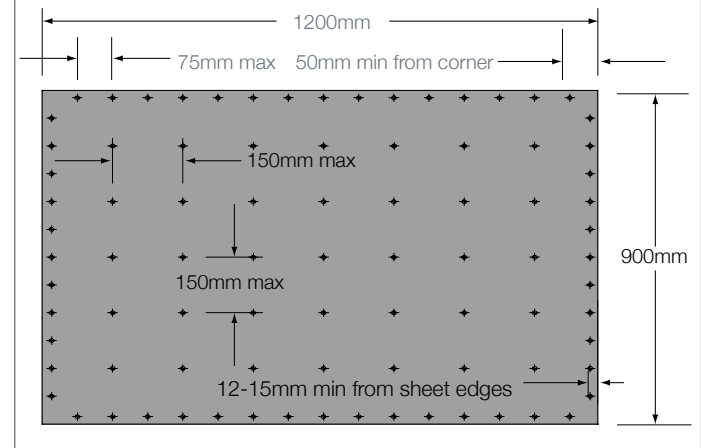
// If sheets are being laid on plywood or particle board, a wallboard adhesive should be used to fix sheets according to the adhesive manufacturer's specifications.

// BGC recommends that 25 x 2.5mm Annular Threaded Underlay Nails or 22-25mm narrow crowned chisel point staples (galvanised or copper etched) be used in all other situations.

// Nails or staples should be fixed at 75mm max centres around perimeter and 150mm max centres in field as shown in Figure 2.

// Nails should be driven flush and staples should finish approximately 0.5mm below the sheet surface.

FIGURE 2 //
SHEET FIXING



Additional requirements

Nails or staples can be used on hardwood floors but nails only should be used on softwood floors. Staples should be driven so that the crown finishes approximately 0.5mm below the sheet surface. Nails should be driven absolutely flush with the surface of the sheet. Failure to do this can result in nail heads showing through floor coverings. Be careful not to damage sheet face with hammer indentations.

Where minor height variations (3mm or less) occur at butt joints, these may be levelled out by filling with a smoothing compound such as Ardex Feather Finish (Refer to Ardex for more information) or equivalent, instead of sanding. Ensure this is dry prior to applying the adhesive.

Flush-sand all joints between sheets and the areas created by fasteners with a belt or rotary sander. Use aluminium oxide or silicone carbide medium grit papers. All sanders must be fitted with effective dust collection devices.

Failure to provide an absolutely smooth, ridge and indentation-free underlay surface will cause unsightly blemishes to appear on the vinyl or cork floor coverings.

Never dry sweep the sanded floor - vacuum only. Where cork tiles or sheeting are to be laid, reseal sanded areas with Cemstick or Bondcrete. Allow resealed areas to dry before laying the floor covering.

TO CONTACT
YOUR NEAREST
BGC STOCKIST,
PLEASE CALL:

ADELAIDE
71 FROST ROAD
SALISBURY SOUTH
SOUTH AUSTRALIA 5106
TELEPHONE 08 8250 4962
FACSIMILE 08 8258 2612

BRISBANE
53 ARGON STREET
CAROLE PARK
QUEENSLAND 4300
TELEPHONE 07 3271 1711
FACSIMILE 07 3271 1733

MELBOURNE
200 MAIDSTONE STREET
ALTONA
VICTORIA 3018
TELEPHONE 03 9392 9444
FACSIMILE 03 9392 9404

PERTH
121 BANNISTER ROAD
CANNING VALE
WESTERN AUSTRALIA 6155
TELEPHONE 08 9334 4900
FACSIMILE 08 9334 4749

SYDNEY
233 MILPERRA ROAD
BANKSTOWN
NEW SOUTH WALES 2200
TELEPHONE 02 9771 9660
FACSIMILE 02 9771 9870

TECHNICAL HELP LINE
1300 652 242

BGCINNOVADESIGN.COM.AU

BGC FIBRE CEMENT IS A PROUD AUSTRALIAN OWNED
MANUFACTURER OF FIBRE CEMENT PRODUCTS.

BGC FIBRE CEMENT PROVIDES BUILDERS, DEVELOPERS
AND ARCHITECTS WITH A RANGE OF DESIGN ALTERNATIVES
AND INNOVATIVE PRODUCTS, SUCH AS:

EXTERIOR PRODUCTS AND APPLICATIONS
INNOVA RANGE OF PRODUCTS

DURACOM™ / A compressed fibre cement
facade system.

DURAFLOOR™ / Is the ultimate flooring product
that can be used in both interior and exterior
applications.

**DURAGRID™ RESIDENTIAL & DURAGRID™
LIGHT COMMERCIAL** / A light weight facade
giving a modern and durable finish.

DURAGROOVE™ / A vertically grooved exterior
facade panel.

DURASCAPE™ / A lightweight exterior facade
base sheet with a subtle vertical shadow line.

NULINE™ PLUS / A weatherboard style
cladding system.

STONESHEET™ / Purpose designed substrate
for stone tile facade.

STRATUM™ / Is a trio of plank products, each of
which can be used as stand alone products or used
together to create a striking exterior cladding solution.

STRATUM™ ERA / A traditional, yet contemporary
as it is flat weatherboard.

INTERIOR PRODUCTS AND APPLICATIONS
BGC FIBRE CEMENT RANGE OF PRODUCTS

DURALUX™ PLUS / An interior lining board suitable
for ceilings and soffits.

DURALINER™ PLUS / An interior lining board,
this is the perfect substrate for tiles and is ideal
for wet areas.

CERAMIC TILE UNDERLAY / A substrate for
ceramic and slate floor tiles.

VINYL CORK FLOOR COVERINGS /
A substrate for vinyl floors.

EXTERIOR PRODUCTS AND APPLICATIONS
BGC FIBRE CEMENT RANGE OF PRODUCTS

DURASHEET™ / Ideal for the cladding of gables
and lining of eaves. Can also be used on commercial
soffits and cladding on non impact areas.

DURAPLANK™ / Available in Smooth, Woodgrain
and Rusticated finishes, Duraplank™ is ideal for
exterior cladding of upper storey conversions or
ground level extensions.

DURATEX™ / A base sheet used for textured
coatings on exterior wall applications.

DURALATTICE™ / Square or diamond patterned
lattice, suitable for screens, pergolas and fences.

COMPRESSED / Used for domestic, commercial
sheet for wet areas, flooring, partitions, exterior
decking, fascia and facade cladding.

DURALUX™ PLUS / Suitable for exterior
applications where it will be sheltered from
direct weather.

DURALINER™ PLUS / Suitable for exterior
applications where it will be sheltered from
direct weather.



Build it better with BGC



Fibre Cement

Safe working practices - Please wear a P1 or P2 mask and safety goggles (approved to AS/NZW1337 standards) whilst cutting
or installing Vinyl & Cork Underlay. Vinyl & Cork Underlay can be safely handled during unloading or stacking without the use of these precautions.

Cleaning up - Always wet down your work area when cutting Vinyl & Cork Underlay, to ensure that dust is managed.
Dispose of any vacuumed dust with care and using containment procedures.

Design by **The SHAPE Group** www.theshapegroup.com.au