



# QT EcoSeries Exterior Wall Panel

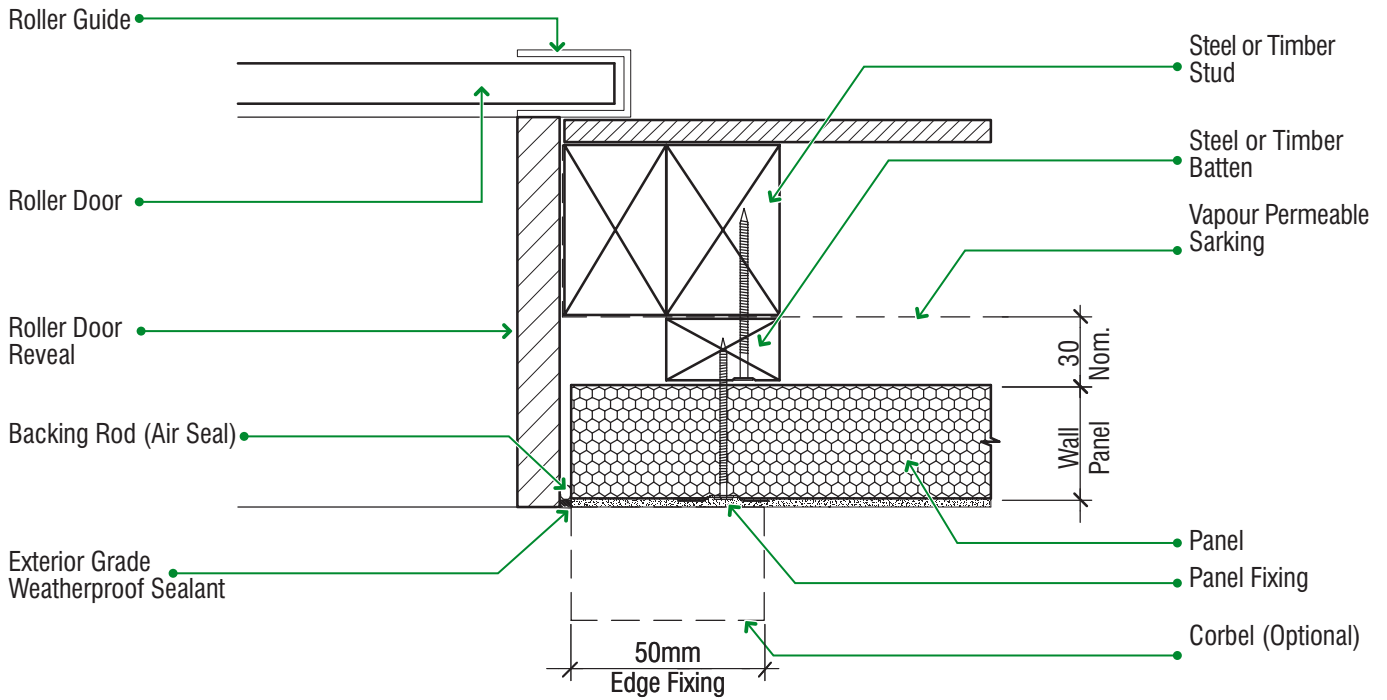
**QT Systems**

PO Box 6249 Acacia Ridge DC Q 4110 Australia

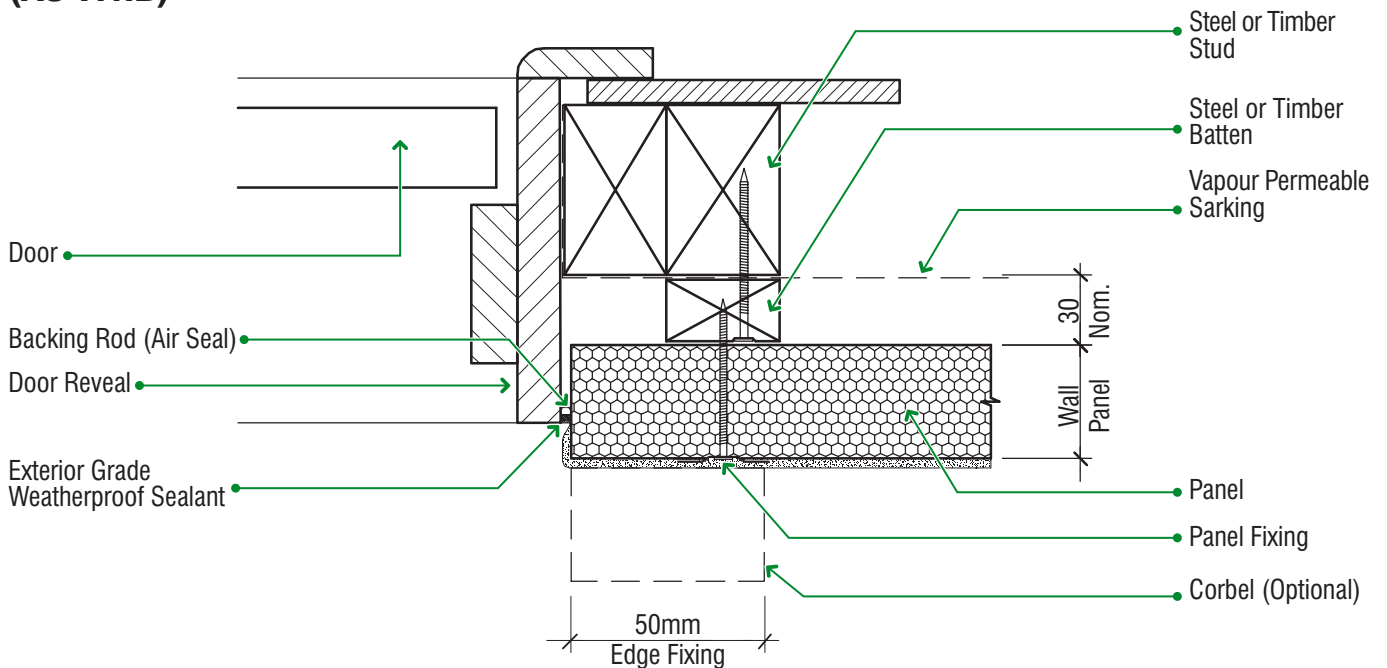
Ph: +61 7 3272 3424 Fx: +61 7 3272 3406



## Roller Door Jamb (AS-7.2.B)



## Timber Door Jamb (AS-7.1.B)



### Note

All panel fixings to be 10g x 75mm class 3 screws or 75 x 3.15  $\emptyset$  or 3.75  $\emptyset$  class 3 ring shank nails with QT®Buttons at 225mm centres as per technical manual section 2. Batten fixings should be class 3 and as section 2 of the technical manual.



# QT EcoSeries Exterior Wall Panel

**QT Systems**

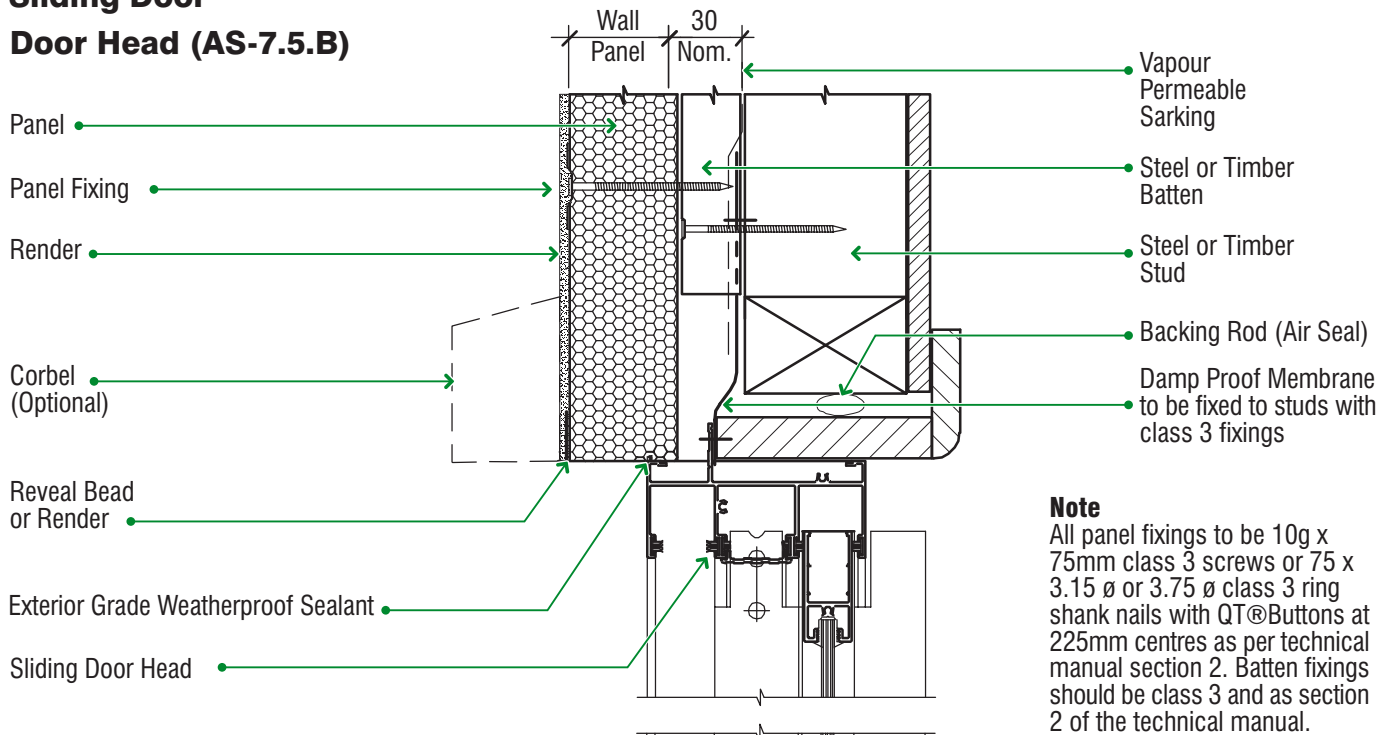
PO Box 6249 Acacia Ridge DC Q 4110 Australia

Ph: +61 7 3272 3424 Fx: +61 7 3272 3406

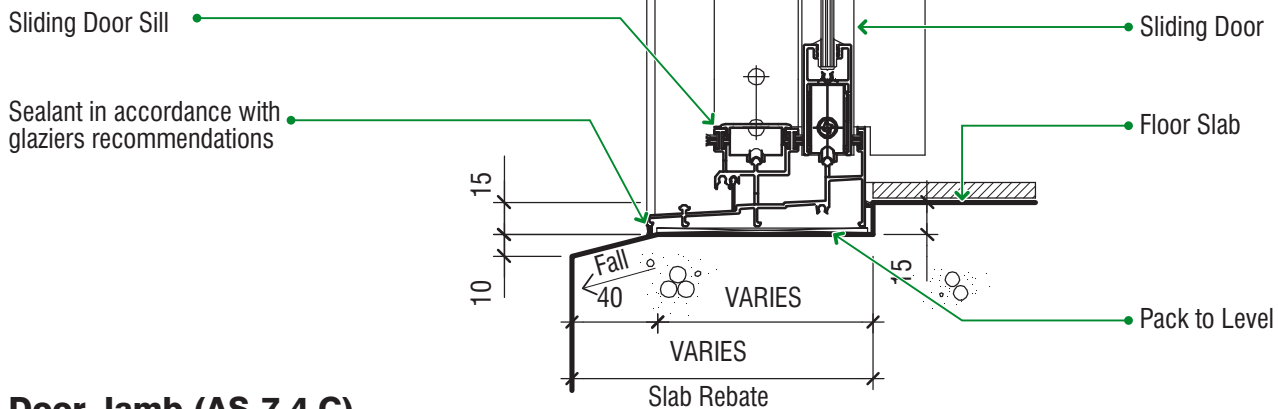


## Sliding Door

### Door Head (AS-7.5.B)



### Door Sill (AS-7.3.B)



### Door Jamb (AS-7.4.C)

