



# QT EcoSeries Exterior Wall Panel

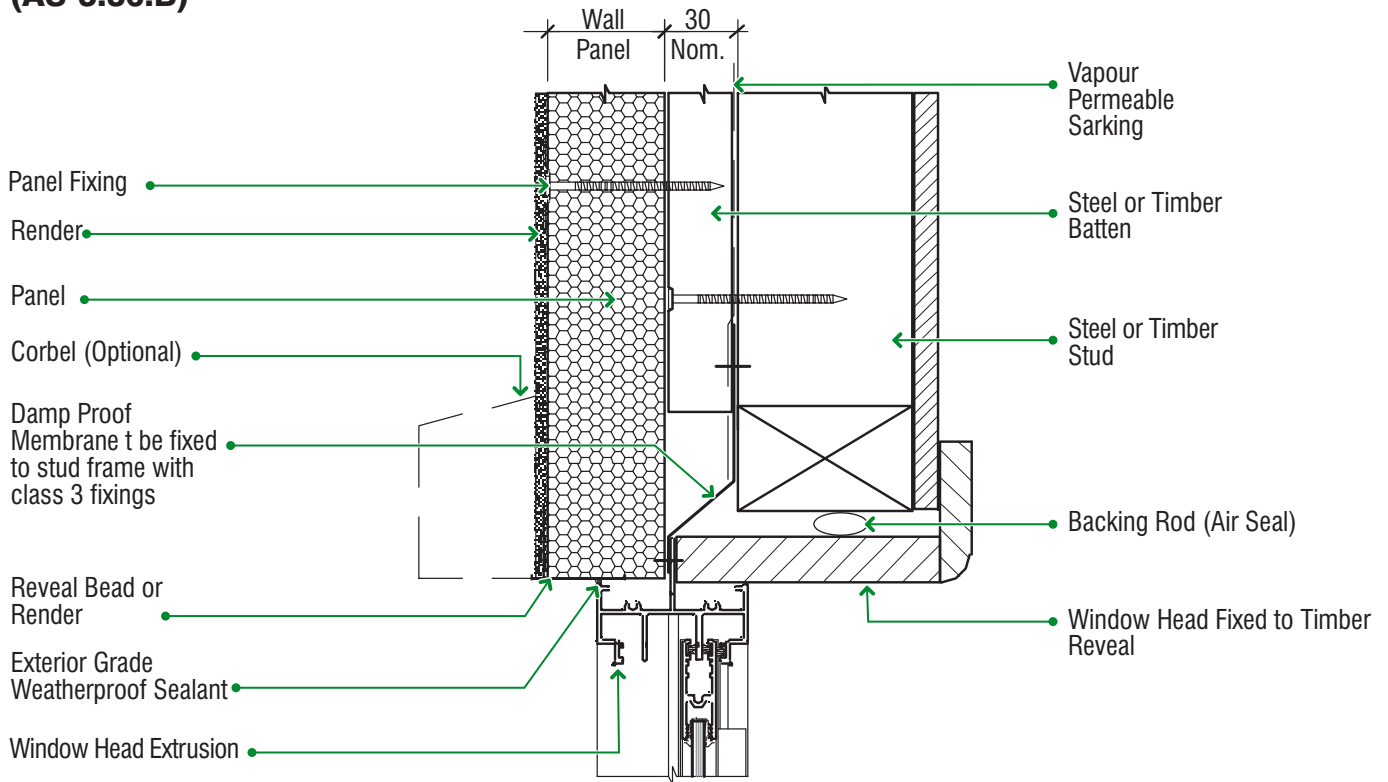
**QT Systems**

PO Box 6249 Acacia Ridge DC Q 4110 Australia

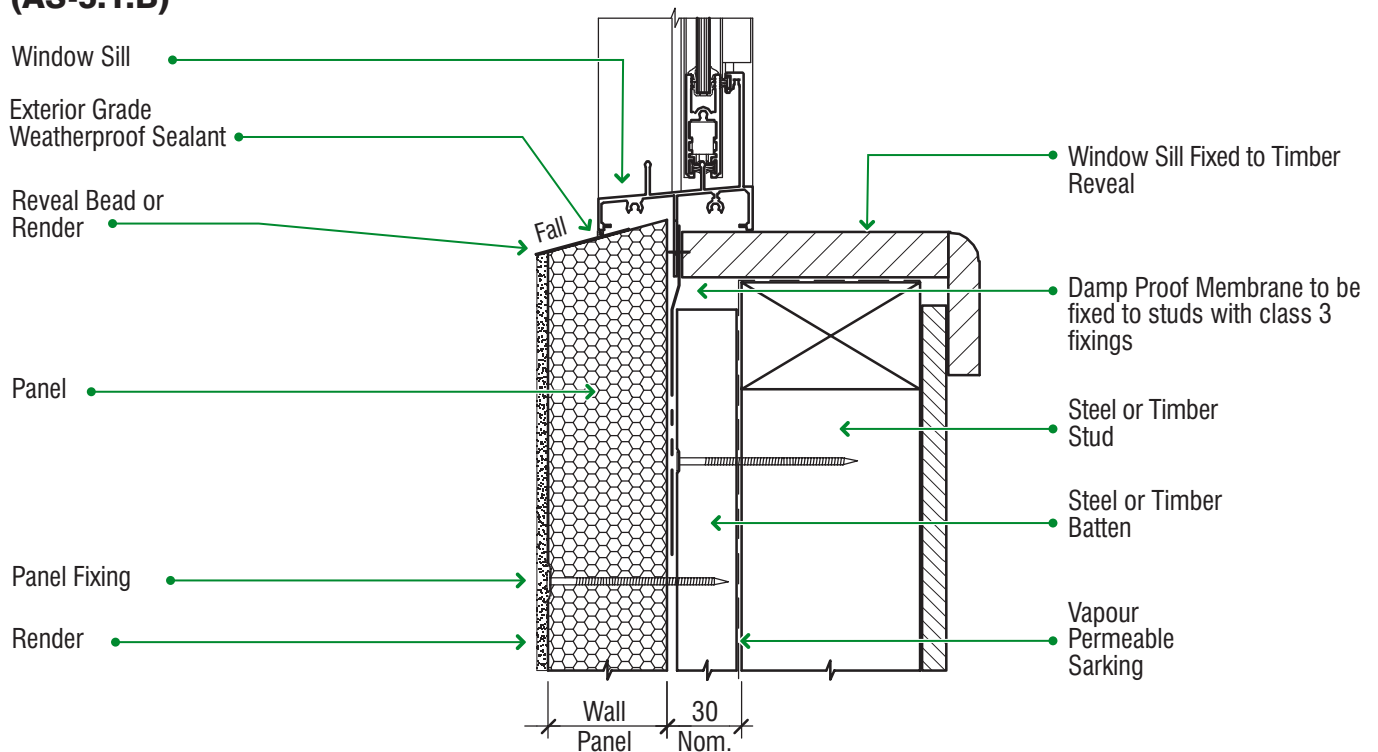
Ph: +61 7 3272 3424 Fx: +61 7 3272 3406



## Window Head Type 1 (AS-5.36.B)



## Window Sill Type 1 (AS-5.1.B)



### Note

All panel fixings to be 10g x 75mm class 3 screws or 75 x 3.15  $\emptyset$  or 3.75  $\emptyset$  class 3 ring shank nails with QT® Buttons at 225mm centres as per technical manual section 2. Batten fixings should be class 3 and as section 2 of the technical manual.



# QT EcoSeries Exterior Wall Panel

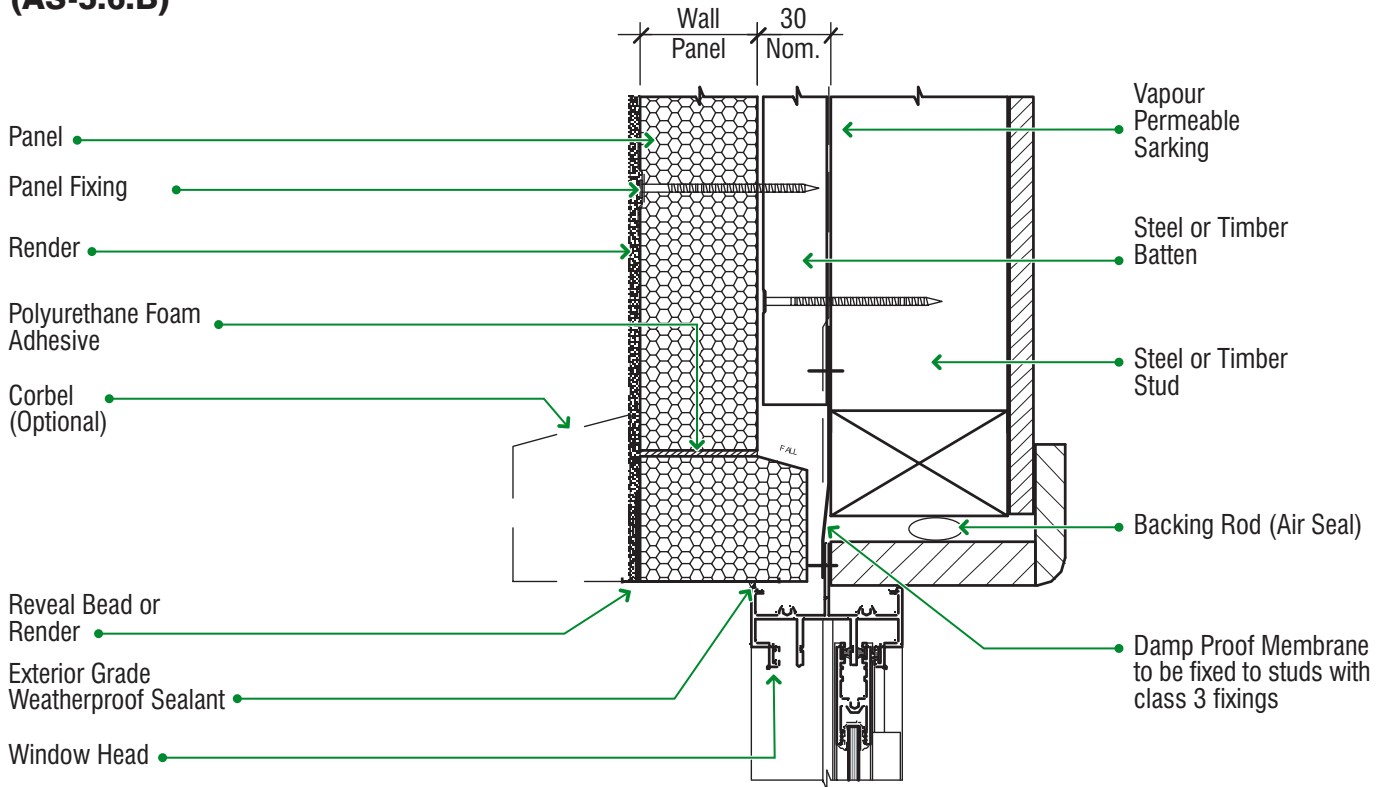
**QT Systems**

PO Box 6249 Acacia Ridge DC Q 4110 Australia

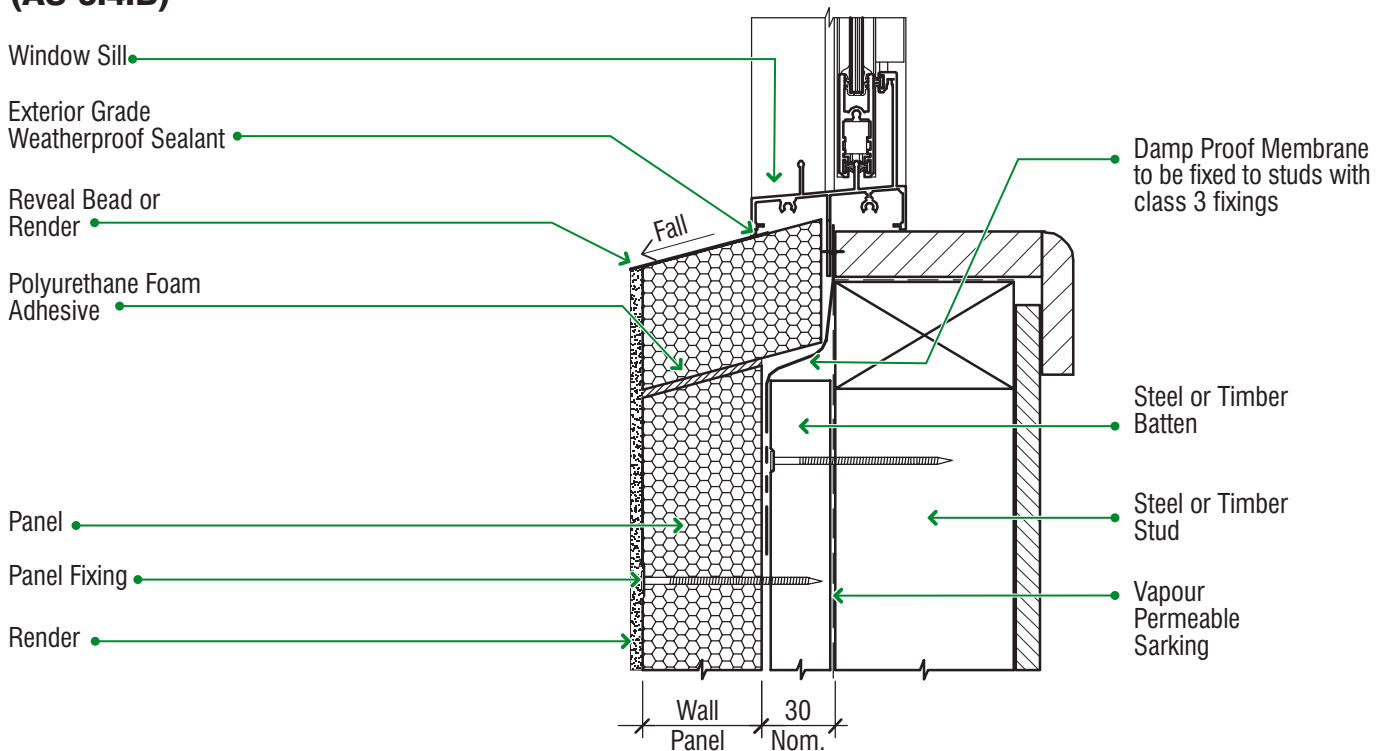
Ph: +61 7 3272 3424 Fx: +61 7 3272 3406



## Window Head Type 2 (AS-5.6.B)



## Window Sill Type 2 (AS-5.4.B)



### Note

All panel fixings to be 10g x 75mm class 3 screws or 75 x 3.15  $\emptyset$  or 3.75  $\emptyset$  class 3 ring shank nails with QT® Buttons at 225mm centres as per technical manual section 2. Batten fixings should be class 3 and as section 2 of the technical manual.



# QT EcoSeries Exterior Wall Panel

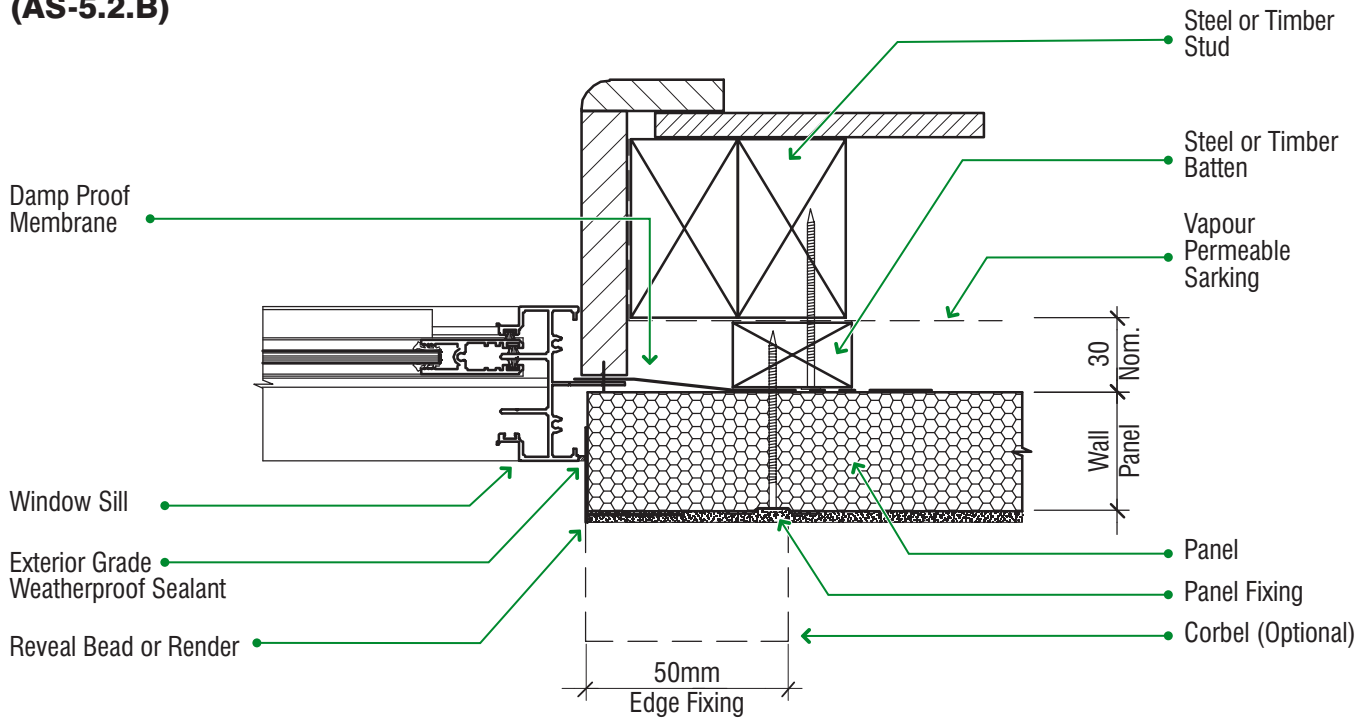
**QT Systems**

PO Box 6249 Acacia Ridge DC Q 4110 Australia

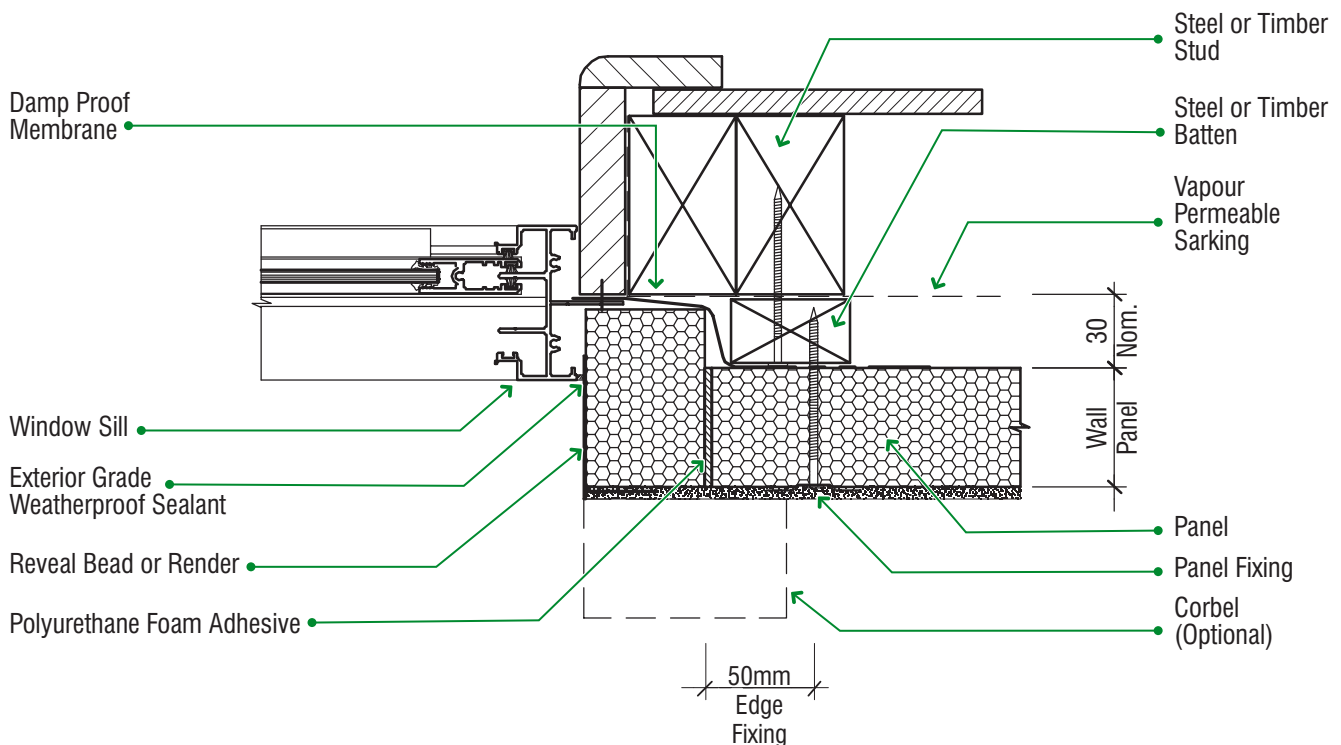
Ph: +61 7 3272 3424 Fx: +61 7 3272 3406



## Window Jamb - Type 1 (AS-5.2.B)



## Window Jamb - Type 2 (AS-5.5.B)



### Note

All panel fixings to be 10g x 75mm class 3 screws or 75 x 3.15  $\emptyset$  or 3.75  $\emptyset$  class 3 ring shank nails with QT@Buttons at 225mm centres as per technical manual section 2. Batten fixings should be class 3 and as section 2 of the technical manual.



# QT EcoSeries Exterior Wall Panel

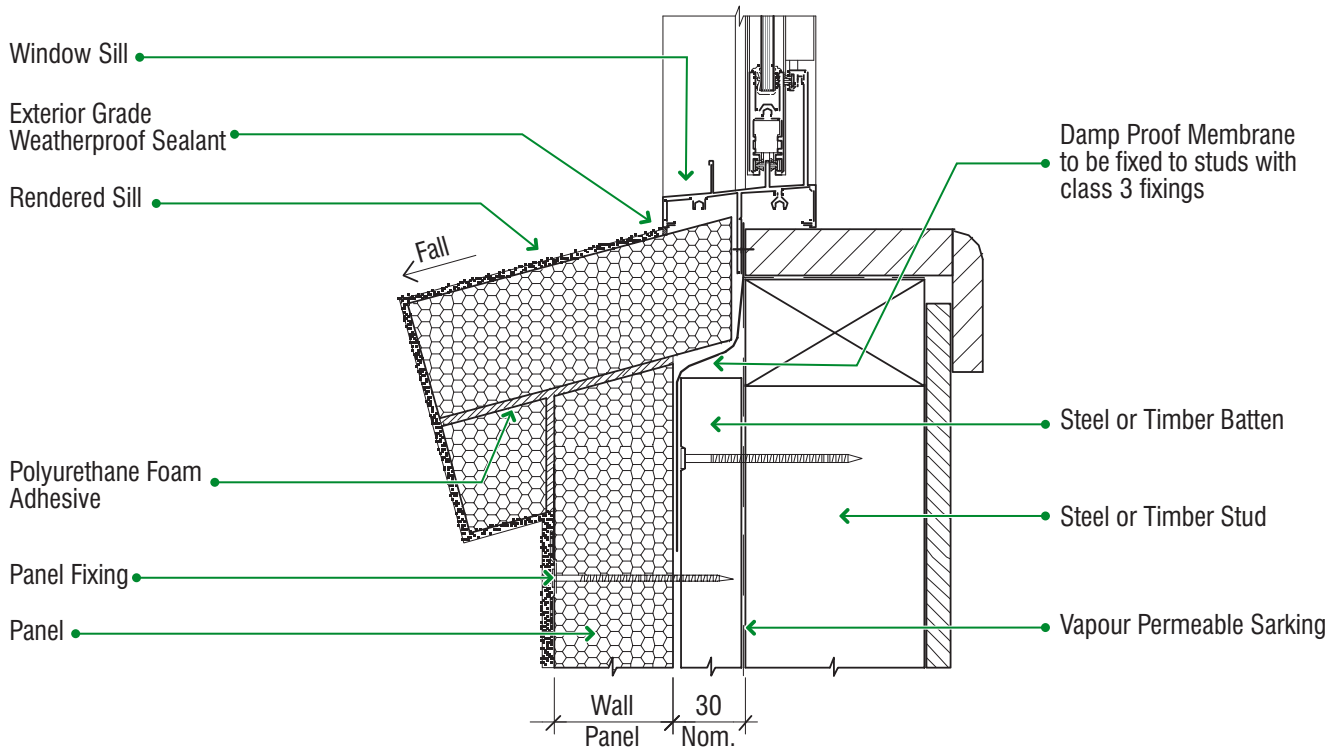
**QT Systems**

PO Box 6249 Acacia Ridge DC Q 4110 Australia

Ph: +61 7 3272 3424 Fx: +61 7 3272 3406



## Window Sill Type 3 (AS-5.7.B)



### Note

All panel fixings to be 10g x 75mm class 3 screws or 75 x 3.15  $\emptyset$  or 3.75  $\emptyset$  class 3 ring shank nails with QT®Buttons at 225mm centres as per technical manual section 2. Batten fixings should be class 3 and as section 2 of the technical manual.