



QT EcoSeries Exterior Wall Panel

QT Systems

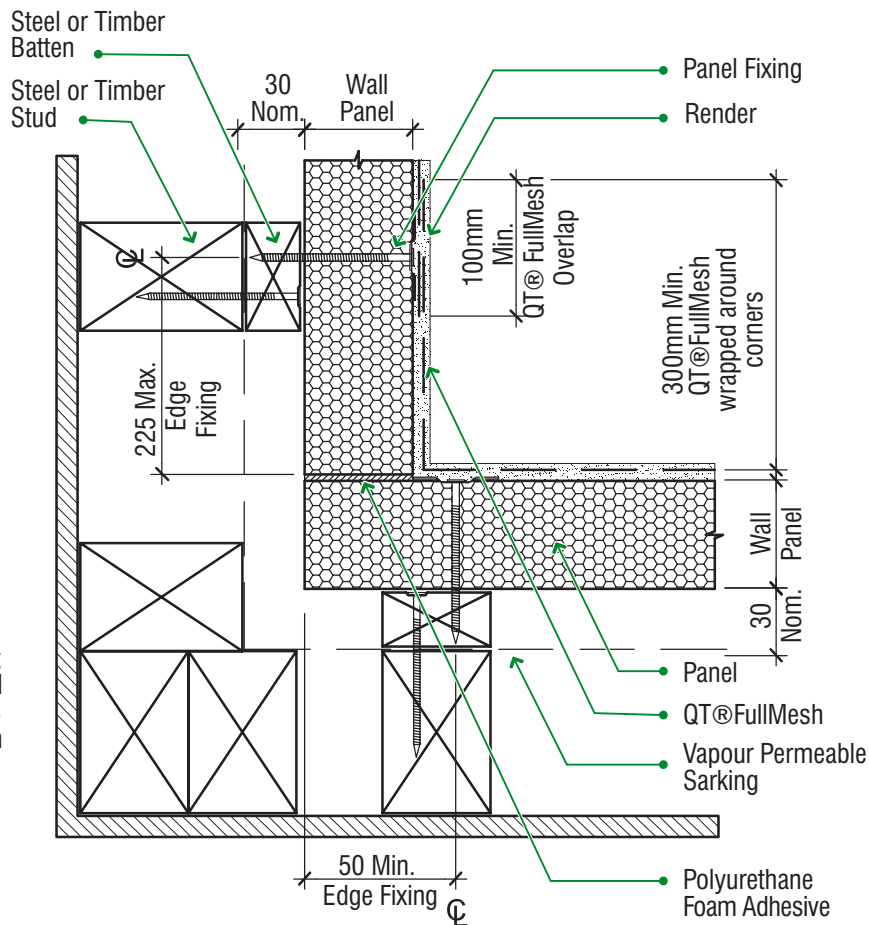
PO Box 6249 Acacia Ridge DC Q 4110 Australia

Ph: +61 7 3272 3424 Fx: +61 7 3272 3406



Internal Corners

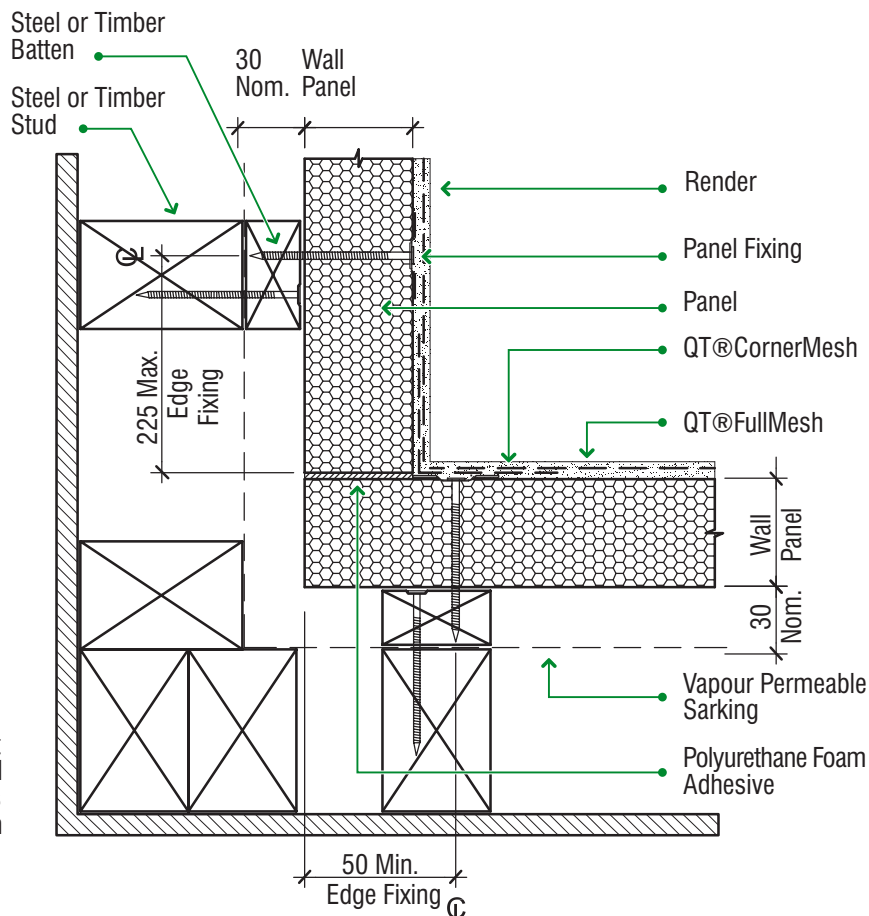
QT®FullMesh (AS-3.1.B)



Note

All panel fixings to be 10g x 75mm class 3 screws or 75 x 3.15 ϕ or 3.75 ϕ class 3 ring shank nails with QT®Buttons at 225mm centres as per technical manual section 2. Batten fixings should be class 3 and as section 2 of the technical manual.

Reinforced (AS-3.1.1.C)



Note

All panel fixings to be 10g x 75mm class 3 screws or 75 x 3.15 ϕ or 3.75 ϕ class 3 ring shank nails with QT®Buttons at 225mm centres as per technical manual section 2. Batten fixings should be class 3 and as section 2 of the technical manual.



QT EcoSeries Exterior Wall Panel

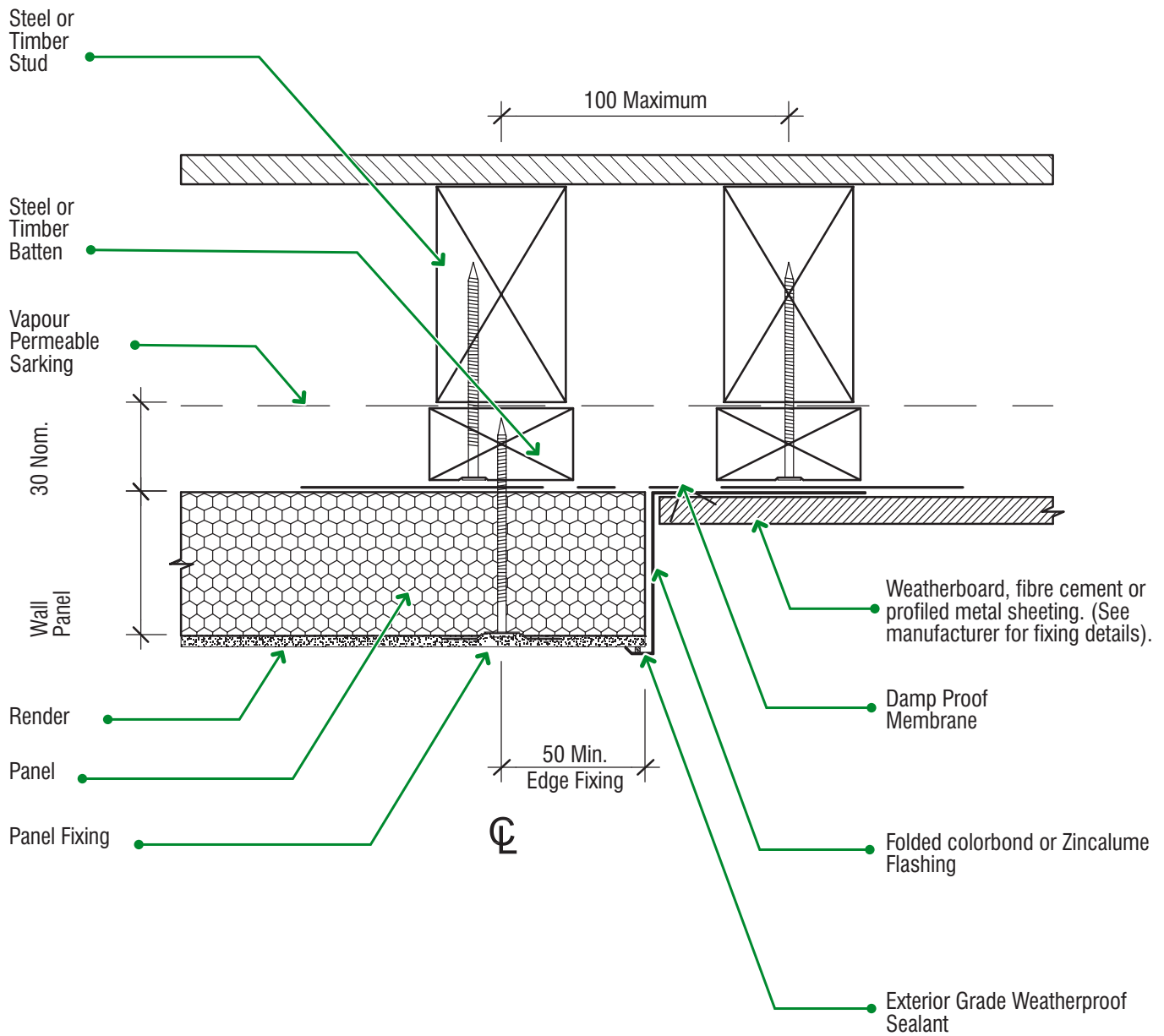
QT Systems

PO Box 6249 Acacia Ridge DC Q 4110 Australia

Ph: +61 7 3272 3424 Fx: +61 7 3272 3406



Panel to Wall Sheet Junction (AS-3.6.B)



Note

All panel fixings to be 10g x 75mm class 3 screws or 75 x 3.15 \emptyset or 3.75 \emptyset class 3 ring shank nails with QT®Buttons at 225mm centres as per technical manual section 2. Batten fixings should be class 3 and as section 2 of the technical manual.



QT EcoSeries Exterior Wall Panel

QT Systems

PO Box 6249 Acacia Ridge DC Q 4110 Australia

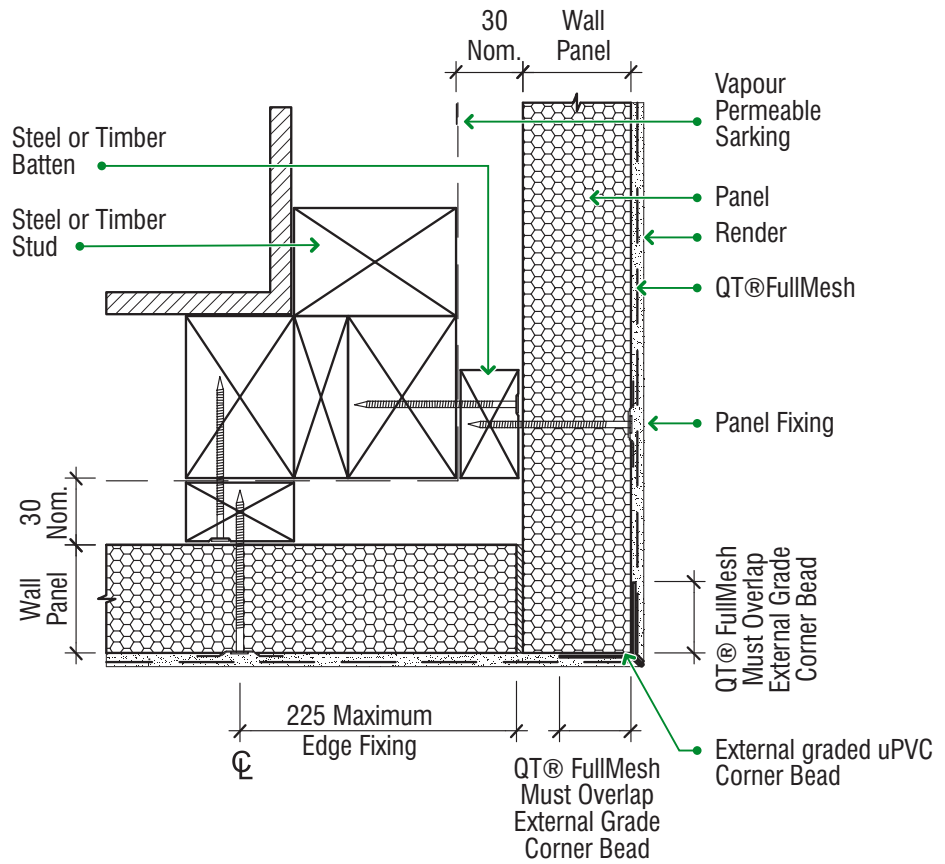
Ph: +61 7 3272 3424 Fx: +61 7 3272 3406



External Corners

Corner Bead

(AS-3.2.C)

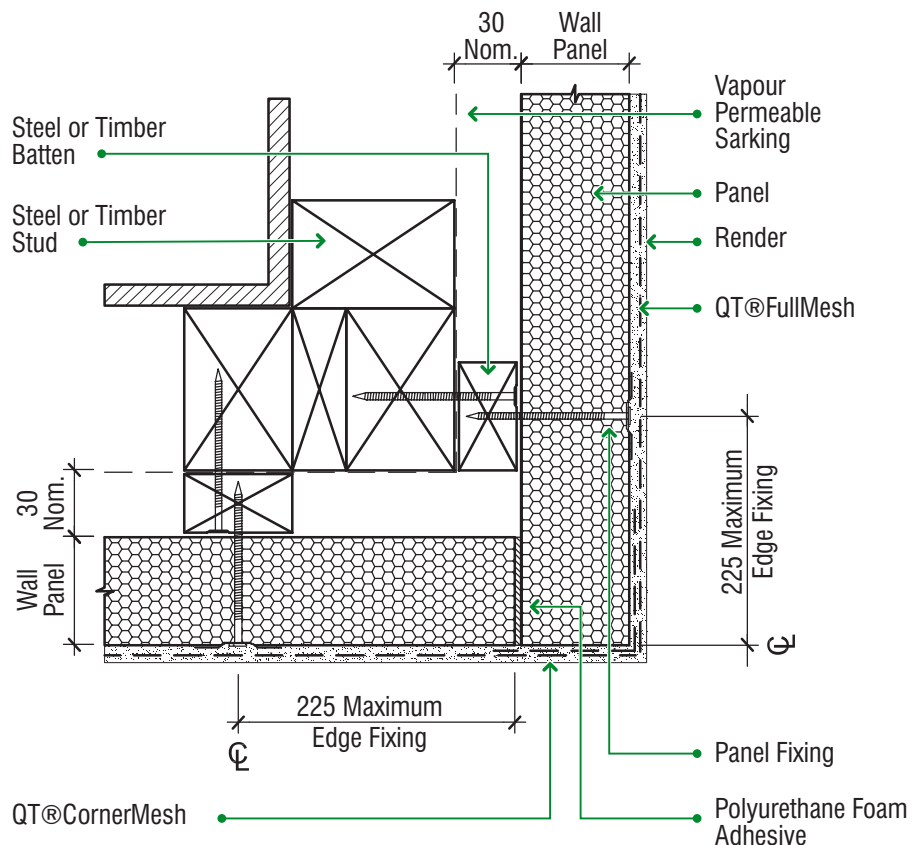


Note

All panel fixings to be 10g x 75mm class 3 screws or 75 x 3.15 \emptyset or 3.75 \emptyset class 3 ring shank nails with QT®Buttons at 225mm centres as per technical manual section 2. Batten fixings should be class 3 and as section 2 of the technical manual.

Reinforced

(AS-3.2.1.C)



Note

All panel fixings to be 10g x 75mm class 3 screws or 75 x 3.15 \emptyset or 3.75 \emptyset class 3 ring shank nails with QT®Buttons at 225mm centres as per technical manual section 2. Batten fixings should be class 3 and as section 2 of the technical manual.



QT EcoSeries Exterior Wall Panel

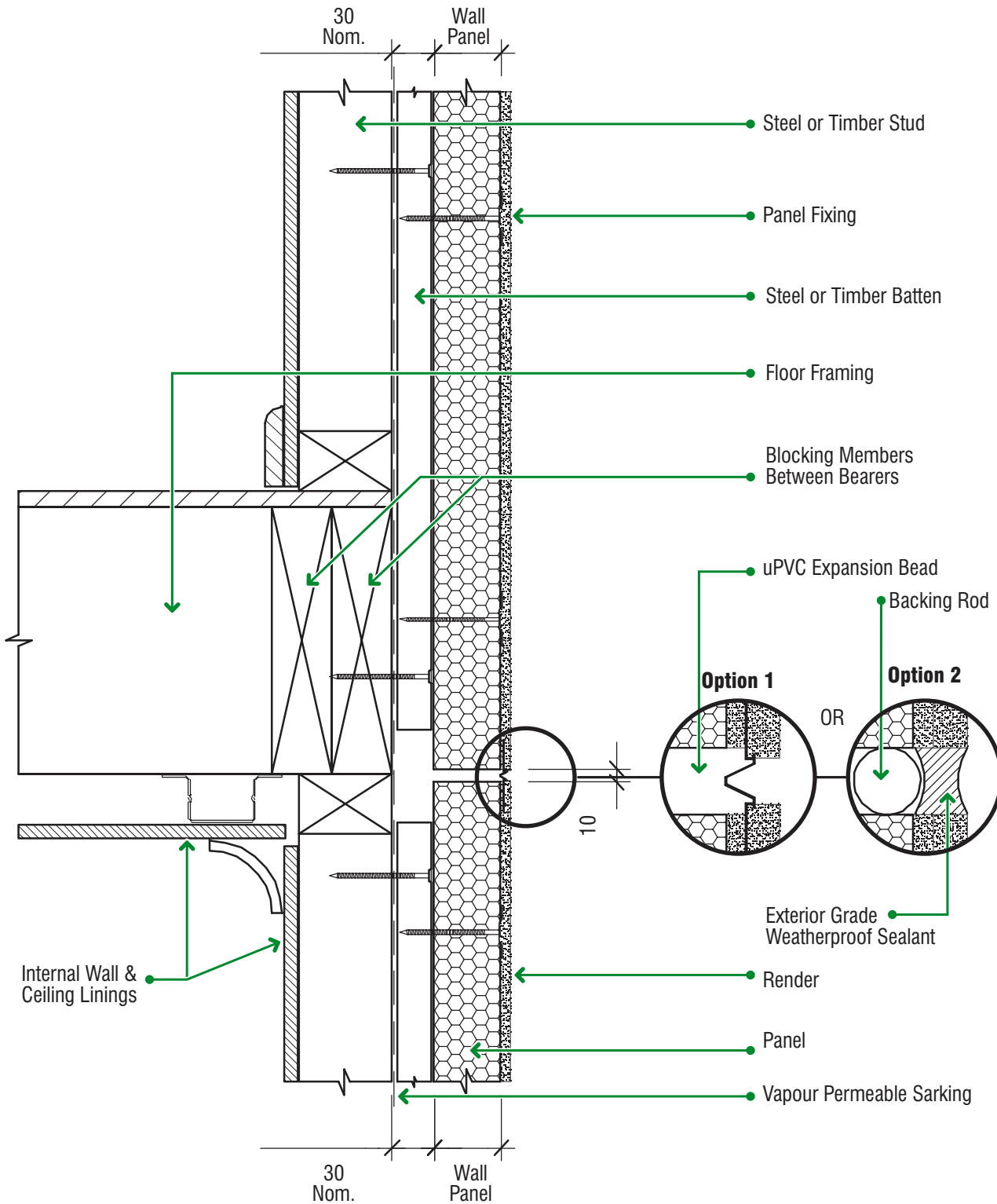
QT Systems

PO Box 6249 Acacia Ridge DC Q 4110 Australia

Ph: +61 7 3272 3424 Fx: +61 7 3272 3406



Horizontal Expansion Joint (AS-3.3.C)



Note

All panel fixings to be 10g x 75mm class 3 screws or 75 x 3.15 ϕ or 3.75 ϕ class 3 ring shank nails with QT® Buttons at 225mm centres as per technical manual section 2. Batten fixings should be class 3 and as section 2 of the technical manual.



QT EcoSeries Exterior Wall Panel

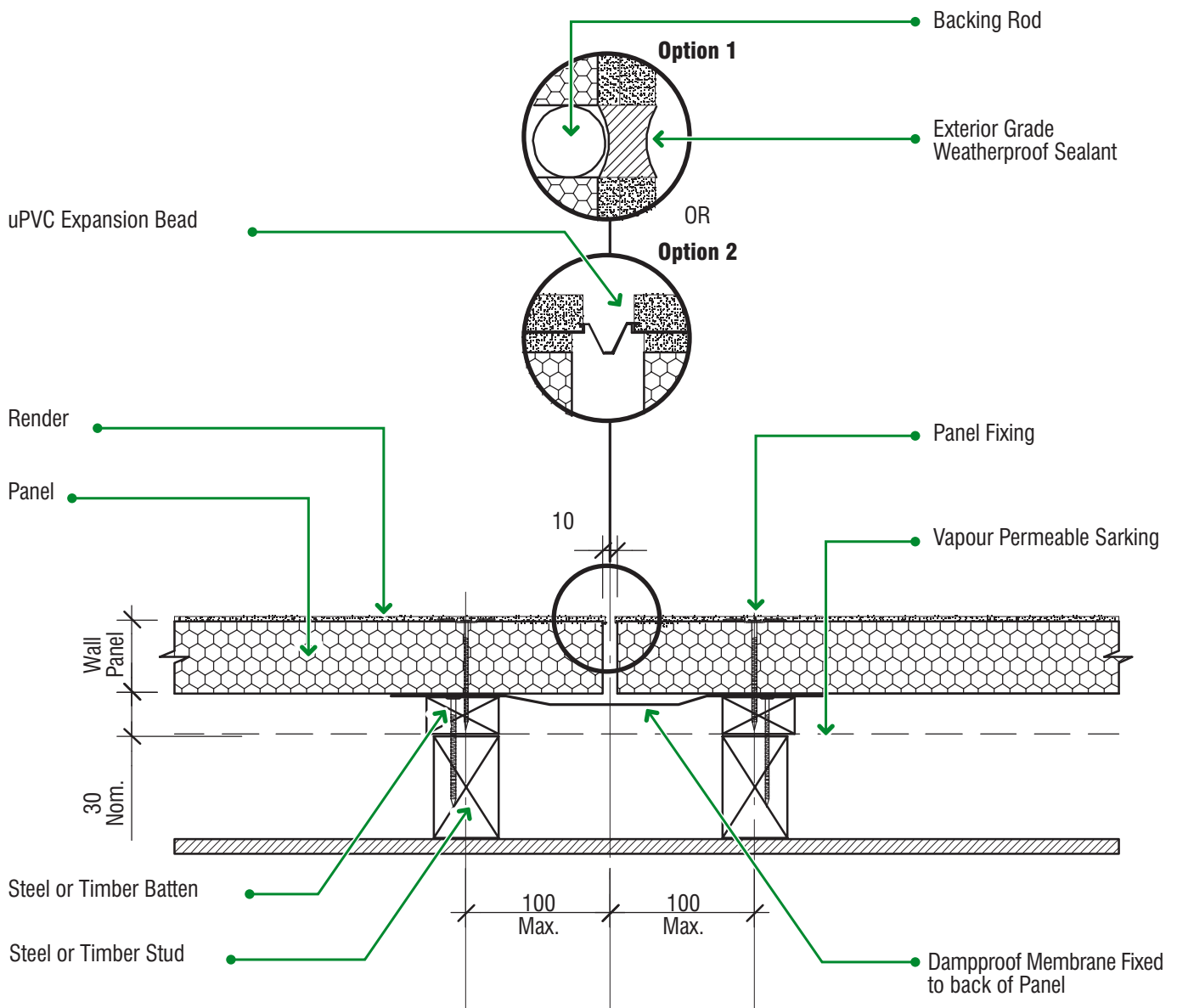
QT Systems

PO Box 6249 Acacia Ridge DC Q 4110 Australia

Ph: +61 7 3272 3424 Fx: +61 7 3272 3406



Vertical Expansion Joint (AS-3.4.B)



Note

All panel fixings to be 10g x 75mm class 3 screws or 75 x 3.15 \emptyset or 3.75 \emptyset class 3 ring shank nails with QT®Buttons at 225mm centres as per technical manual section 2. Batten fixings should be class 3 and as section 2 of the technical manual.



QT EcoSeries Exterior Wall Panel

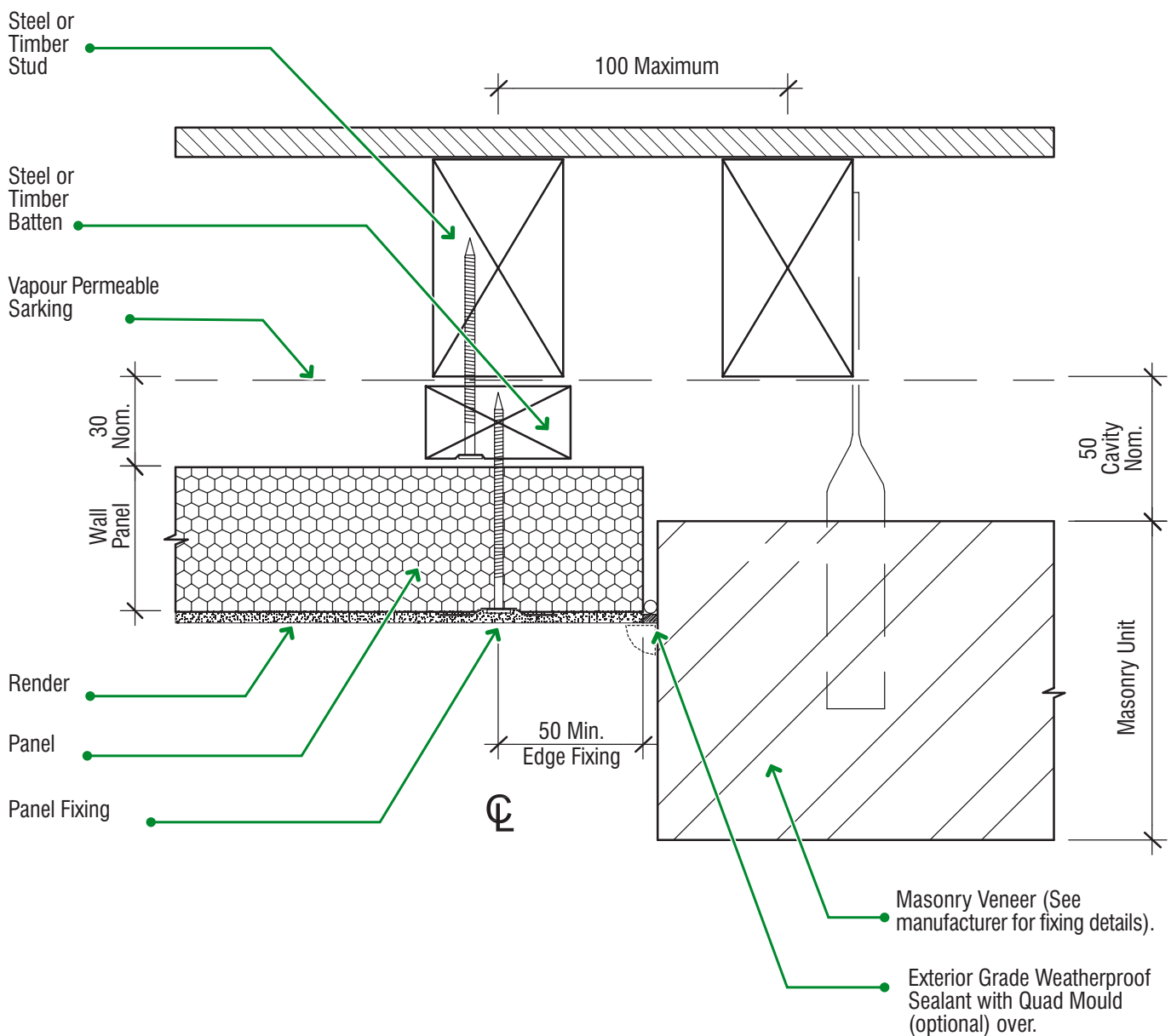
QT Systems

PO Box 6249 Acacia Ridge DC Q 4110 Australia

Ph: +61 7 3272 3424 Fx: +61 7 3272 3406



Panel to Brick Junction (AS-3.7.B)



Note

All panel fixings to be 10g x 75mm class 3 screws or 75 x 3.15 \emptyset or 3.75 \emptyset class 3 ring shank nails with QT®Buttons at 225mm centres as per technical manual section 2. Batten fixings should be class 3 and as section 2 of the technical manual.



QT EcoSeries Exterior Wall Panel

QT Systems

PO Box 6249 Acacia Ridge DC Q 4110 Australia

Ph: +61 7 3272 3424 Fx: +61 7 3272 3406



Panel Upper Storey to Brick Lower Storey Junction (AS-3.8.C)

Note

All panel fixings to be 10g x 75mm class 3 screws or 75 x 3.15 \emptyset or 3.75 \emptyset class 3 ring shank nails with QT®Buttons at 225mm centres as per technical manual section 2. Batten fixings should be class 3 and as section 2 of the technical manual.

